

# Entropy Label for SR-MPLS

draft-ietf-mpls-spring-entropy-label-00

Sriganesh Kini (sriganesh.kini@ericsson.com)

Kireeti Kompella (kireeti@juniper.net)

Siva Sivabalan (msiva@cisco.com)

Stephane Litkowski (stephane.litkowski@orange.com)

Rob Shakir (rob.shakir@bt.com)

Xiaohu Xu (xuxiaohu@huawei.com)

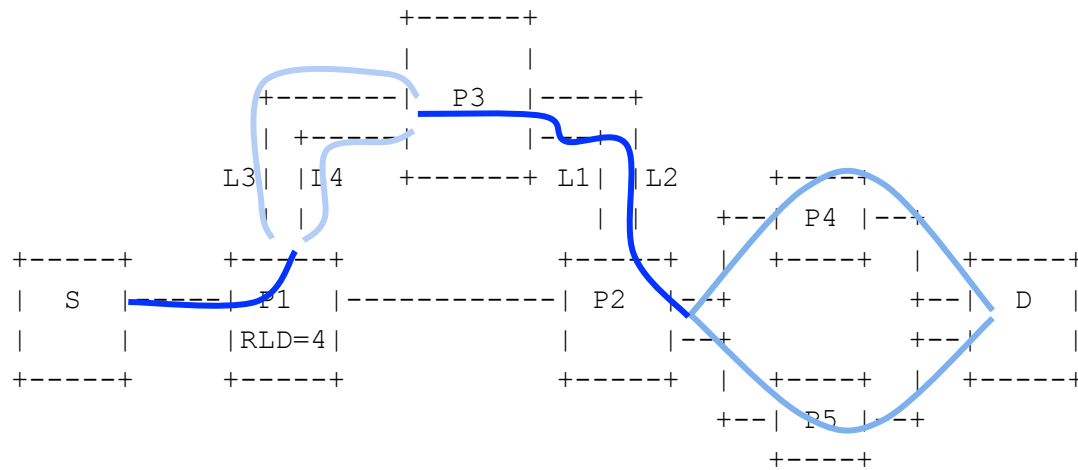
Wim Hendrickx (wim.hendrickx@alcatel-lucent.com)

Jeff Tantsura (jeff.tantsura@ericsson.com)

## Since IETF 91

- Addressed remaining MPLS-RT review comments
- Changed use-case to a traffic-engineered use-case
- Improved the readability of sample algorithm

# Use case



S=Source LSR, D=Destination LSR, P1,P2,P3,P4,P5=Transit LSRs,  
L1,L2,L3,L4=Links

<L\_N-P3, **ELI**, **EL**, L\_A-L1, L\_N-D, **ELI**, **EL**>

## Other related discussion

- Making the 'Readable Label Depth' parameter as interface specific
- OAM