

Internet Engineering Task Force
INTERNET-DRAFT
draft-camarillo-sipping-transc-b2bua-01.ps

SIP WG
G. Camarillo
Ericsson
February 7, 2004
Expires: August, 2004

The Session Initiation Protocol Conference Bridge Transcoding Model

Status of this Memo

This document is an Internet-Draft and is in full conformance with all provisions of Section 10 of RFC2026.

Internet-Drafts are working documents of the Internet Engineering Task Force (IETF), its areas, and its working groups. Note that other groups may also distribute working documents as Internet-Drafts.

Internet-Drafts are draft documents valid for a maximum of six months and may be updated, replaced, or obsoleted by other documents at any time. It is inappropriate to use Internet-Drafts as reference material or to cite them other than as “work in progress.”

To view the list Internet-Draft Shadow Directories, see <http://www.ietf.org/shadow.html>.

Copyright Notice

Copyright (c) The Internet Society (2004). All Rights Reserved.

Abstract

This document describes how to invoke transcoding services using the conference bridge model. This way of invocation meets the requirements for SIP regarding transcoding services invocation to support deaf, hard of hearing and speech-impaired individuals.

Contents

1	Introduction	3
2	Caller's Invocation	3
2.1	Unsuccessful Session Establishment	4
3	Callee's Invocation	5
4	Security Considerations	6
5	Contributors	6
6	OPEN ISSUES	6
7	Authors' Addresses	6

1 Introduction

The framework for transcoding with SIP [1] (draft-ietf-sipping-transc-framework) describes how two SIP UAs can discover incompatibilities that prevent them from establishing a session (e.g., lack of support for a common codec or for a common media type). When such incompatibilities are found, the UAs need to invoke transcoding services to successfully establish the session. Using the conference bridge model is one way to perform such invocation.

In the conference bridge model for transcoding invocation, a transcoding server that provides a particular transcoding service (e.g., speech-to-text) behaves as a B2BUA between both UAs and is identified by a URI.

2 Caller's Invocation

Figure 1 shows the message flow for the caller's invocation of a transcoder T. The caller (A) sends an INVITE (1) to the transcoder (T) to establish the session A-T. The URI in the Request-URI of this INVITE contains a list parameter, as defined in [2] (draft-camarillo-sipping-uri-list-01), with a pointer to a URI list. This URI list contains a single URI: the callee's URI, as shown below:

```
INVITE sip:transcoder@example.com;list=cid:cn35t8@example.com SIP/2.0
Via: SIP/2.0/TCP client.chicago.example.com
    ;branch=z9hG4bKhjhs8ass83
Max-Forwards: 70
To: "Transcoder" <sip:transcoder@example.com>
From: Caller <sip:caller@chicago.example.com>;tag=32331
Call-ID: d432fa84b4c76e66710
CSeq: 1 INVITE
Contact: <sip:caller@client.chicago.example.com>
Allow: INVITE, ACK, CANCEL, OPTIONS, BYE, REFER,
    SUBSCRIBE, NOTIFY
Content-Type: multipart/mixed;boundary="boundary1"
Content-Length: xxx
```

```
--boundary1
Content-Type: application/sdp
Content-Length: xxx
```

```
v=0
o=caller 2890844526 2890842807 IN IP4 chicago.example.com
s=Example Subject
c=IN IP4 192.0.0.1
t=0 0
m=audio 20000 RTP/AVP 0
```

```
--boundary1
Content-Type: application/resource-lists+xml
```

Content-Length: 367

Content-ID: <cn35t8@example.com>

```
<?xml version="1.0" encoding="UTF-8"?>
<resource-lists xmlns:xsi="http://www.w3.org/2001/XMLSchema-instance">
  <list name="ad-hoc-1">
    <entry name="1" uri="sip:callee@example2.com" />
  </list>
</resource-lists>
--boundary1--
```

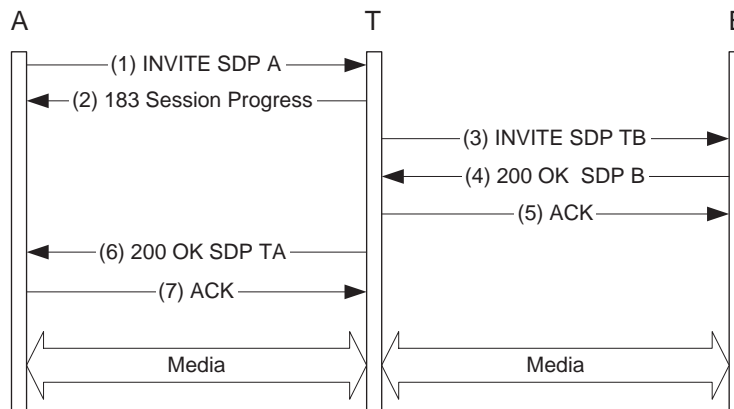


Figure 1: Successful invocation of a transcoder by the caller

On reception of the INVITE, the transcoder generates a new INVITE towards the callee. The transcoder acts as a B2BUA, so, this new INVITE (3) belongs to a different transaction than the INVITE (1) received by the transcoder.

When the transcoder receives a final response (4) from the callee, it generates a new final response (6) for INVITE (1). This new final response (6) has the same status code as the one received in the response from the callee (4).

The advantage of this message flow is that, for both user agents, is identical to the flow for establishing a regular session (i.e., without transcoder) between them. Additionally, the only difference in the message contents is that the caller needs to use a list parameter in the Request-URI of the initial INVITE.

2.1 Unsuccessful Session Establishment

Figure 2 shows a similar message flow as the one in Figure 1. Nevertheless, this time the callee generates a non-2xx final response (4). Consequently, the transcoder generates a non-2xx final response (6) towards the caller as well.

The problem with this flow is that the caller does not know whether the 404 (Not Found) response means that the initial INVITE (1) did not reach the transcoder or that the INVITE generated by the transcoder (4) did not reach the callee. To resolve this, it is recommended that the caller

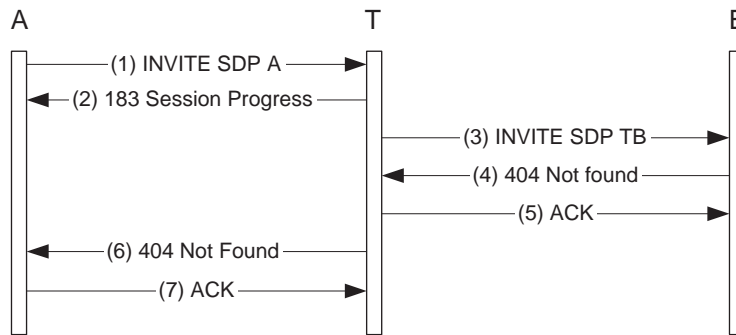


Figure 2: Unsuccessful session establishment

uses the reliable provisional responses [3] SIP extension.

Figure 3 shows the resulting message flow when the caller requires the use of the reliable provisional responses [3] SIP extension. The reception of the 183 (Session Progress) reliable provisional response informs the caller that the transcoder was contacted successfully. So, the 404 (Not Found) response indicates that the callee could not be reached.

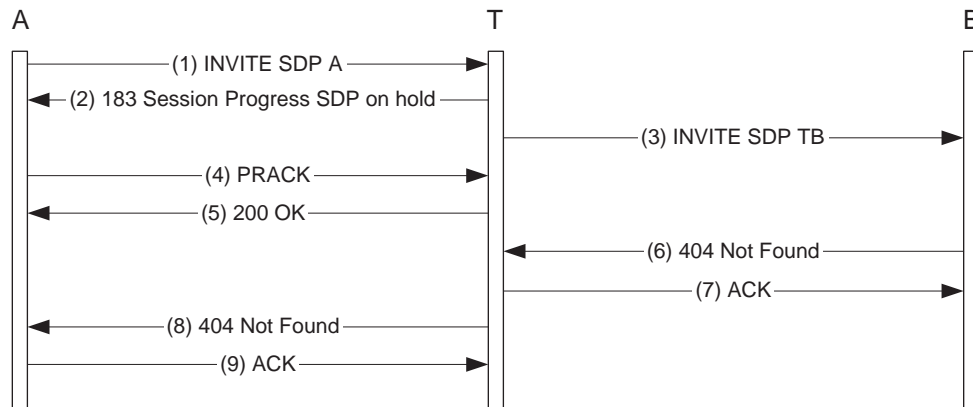


Figure 3: Invocation using reliable provisional responses

3 Callee's Invocation

If a UA receives an INVITE with an offer that is not acceptable, it can only invoke a transcoder if the caller supports the Replaces [4] extension. This support is indicated by the **Supported** header field in the INVITE.

If the caller (A) does not support Replaces, the callee (B) can always reject the session and attempt to establish a new session with A following the procedures in Section 2. This way, B would act as a caller and, consequently, it would follow the procedures for caller's invocation of transcoders.

Assuming that the caller (A) supports Replaces, the callee (B) follows the steps shown in

Figure 4 to invoke a transcoder. The callee sends a 183 (Session Progress) response (2) to the caller. This response carries a tag in the `To` header field. The caller needs to receive this `To` tag so that this early dialog can be replaced later in (5). So, the callee SHOULD use the reliable provisional responses [3] SIP extension. The SDP in the 183 (Session Progress) response may put the media streams on hold. If the caller did not support this extension, the callee MAY send a 200 (OK) putting the media streams on hold.

OPEN ISSUE: can we use 0.0.0.0 instead of hold here?

After returning a response with a `To` tag to the caller, the callee sends an INVITE (2) to the Transcoder. The URI in the Request-URI of this INVITE contains a list parameter, as defined in [2] (draft-camarillo-sipping-uri-list-01), with a pointer to a URI list. This URI list contains a single URI: the URI received in the `Contact` header field of the initial INVITE (1) with an escaped `Replaces` header field, as shown in the following example:

```
sip:caller@client.chicago.example.com?Replaces=40d432fa84b4c76e66710;  
    ;from-tag=32331  
    ;to-tag=12dr45
```

We recommend the use of the reliable provisional responses between the callee and the transcoder so that the callee is able to distinguish between problems with the transcoder and problems with the caller, as we described in Section 2.1.

When A receives this INVITE (5), it replaces the original dialog (1) with this new dialog. The caller sends a CANCEL (10) to cancel the original dialog (1) and receives a 487 (Request Terminated) response (11) from the callee.

4 Security Considerations

TBD.

5 Contributors

This document is the result of discussions amongst the conferencing design team. The members of this team include Eric Burger, Henning Schulzrinne and Arnoud van Wijk.

6 OPEN ISSUES

In SIP, the `Route` header field is used to traverse proxies, but it seems that using it for traversing B2BUAs would be stretching its semantics too much.

7 Authors' Addresses

Gonzalo Camarillo
Ericsson
Advanced Signalling Research Lab.
FIN-02420 Jorvas

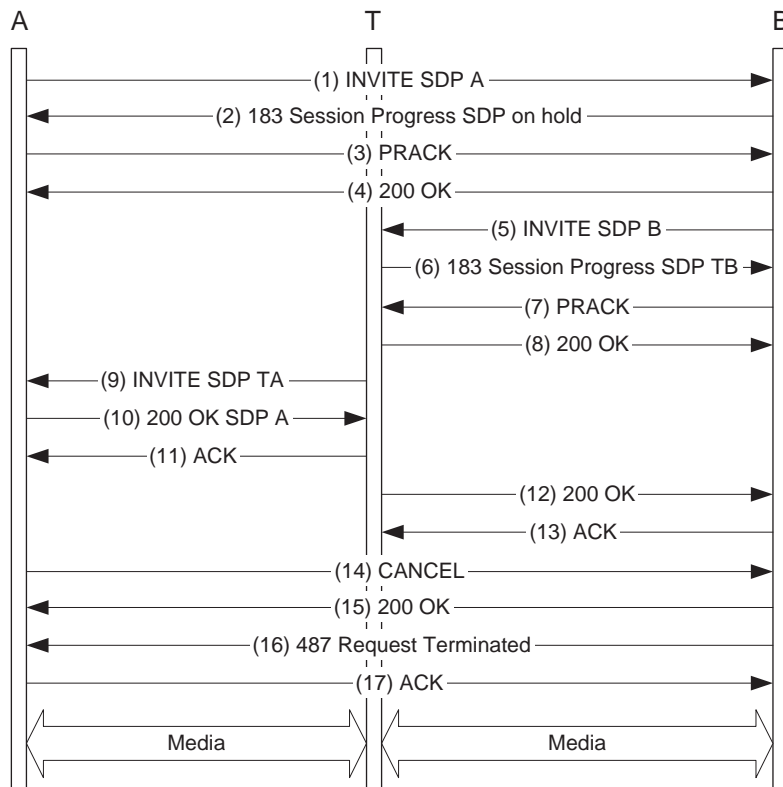


Figure 4: Callee's invocation of a transcoder

Finland

electronic mail: Gonzalo.Camarillo@ericsson.com

References

- [1] G. Camarillo, "Framework for transcoding with the session initiation protocol," Internet Draft draft-camarillo-sipping-transc-framework-00, Internet Engineering Task Force, Aug. 2003. Work in progress.
- [2] G. Camarillo, "Providing a session initiation protocol (SIP) application server with a list of URIs," Internet Draft draft-camarillo-sipping-uri-list-00, Internet Engineering Task Force, Nov. 2003. Work in progress.
- [3] J. Rosenberg and H. Schulzrinne, "Reliability of provisional responses in session initiation protocol (SIP)," RFC 3262, Internet Engineering Task Force, June 2002.
- [4] B. Biggs, R. W. Dean, and R. Mahy, "The session initiation protocol (SIP) 'replaces' header," Internet Draft draft-ietf-sip-replaces-04, Internet Engineering Task Force, Aug. 2003. Work in progress.

The IETF takes no position regarding the validity or scope of any intellectual property or other rights that might be claimed to pertain to the implementation or use of the technology described in this document or the extent to which any license under such rights might or might not be available; neither does it represent that it has made any effort to identify any such rights. Information on the IETF's procedures with respect to rights in standards-track and standards-related documentation can be found in BCP-11. Copies of claims of rights made available for publication and any assurances of licenses to be made available, or the result of an attempt made to obtain a general license or permission for the use of such proprietary rights by implementors or users of this specification can be obtained from the IETF Secretariat.

The IETF invites any interested party to bring to its attention any copyrights, patents or patent applications, or other proprietary rights which may cover technology that may be required to practice this standard. Please address the information to the IETF Executive Director.

Full Copyright Statement

Copyright (c) The Internet Society (2004). All Rights Reserved.

This document and translations of it may be copied and furnished to others, and derivative works that comment on or otherwise explain it or assist in its implementation may be prepared, copied, published and distributed, in whole or in part, without restriction of any kind, provided that the above copyright notice and this paragraph are included on all such copies and derivative works. However, this document itself may not be modified in any way, such as by removing the copyright notice or references to the Internet Society or other Internet organizations, except as needed for the purpose of developing Internet standards in which case the procedures for copyrights defined in the Internet Standards process must be followed, or as required to translate it into languages other than English.

The limited permissions granted above are perpetual and will not be revoked by the Internet Society or its successors or assigns.

This document and the information contained herein is provided on an "AS IS" basis and THE INTERNET SOCIETY AND THE INTERNET ENGINEERING TASK FORCE DISCLAIMS ALL WARRANTIES, EXPRESS OR IMPLIED, INCLUDING BUT NOT LIMITED TO ANY WARRANTY THAT THE USE OF THE INFORMATION HEREIN WILL NOT INFRINGE ANY RIGHTS OR ANY IMPLIED WARRANTIES OF MERCHANTABILITY OR FITNESS FOR A PARTICULAR PURPOSE.