

INTERNATIONAL TELECOMMUNICATION UNION

**TELECOMMUNICATION
STANDARDIZATION SECTOR**

STUDY PERIOD 2013-2016

**STUDY GROUP 15
TD 678 (PLEN/15)**

English only

Original: English

Question(s): 10/15

Geneva, 19-30 September 2016

TD

Source: Editor G.8121.1/Y.1381.1

Title: Draft Corrigendum 1 to Recommendation G.8121.1/Y.1381.1 (2016) (for Consent, 30 September 2016)

Abstract

This document provides Draft Corrigendum 1 to G.8121.1 (2016). The updates consist of [wd1014-23](#) and the agreement per C.1928.

Contact: Yuji Tochio
Fujitsu
Japan

Tel: +81-44-754-8829
Email: tochio@jp.fujitsu.com

Attention: This is not a publication made available to the public, but **an internal ITU-T Document** intended only for use by the Member States of ITU, by ITU-T Sector Members and Associates, and their respective staff and collaborators in their ITU related work. It shall not be made available to, and used by, any other persons or entities without the prior written consent of ITU-T.

Annex

Corrigendum 1 to Recommendation ITU-T G.8121.1/Y.1381.1

Characteristics of MPLS-TP equipment functional blocks supporting ITU-T G.8113.1/Y.1372.1 OAM mechanisms: Corrigendum 1

Summary

Corrigendum 1 to Recommendation ITU-T G.8121.1/Y.1381.1 (2016):

- Clarifies the configuration of MI_CC_Enable and MI_CVp_Enable
- Adds missing “OAM_Tool” MIs for AIS and LCK at MT_TT_Sk

Corrigendum 1 to Recommendation ITU-T G.8121.1/Y.1381.1

Characteristics of MPLS-TP equipment functional blocks supporting ITU-T G.8113.1/Y.1372.1 OAM mechanisms: Corrigendum 1

1) Scope of Corrigendum 1

This corrigendum:

- Clarifies the configuration of MI_CC_Enable and MI_CVp_Enable
- Adds missing “OAM_Tool” MIs for AIS and LCK at MT_TT_Sk

2) Clause 8.8.1, Proactive Continuity Check and Connectivity Verification (CC/CV)

Update clause 8.8.1.1 as indicated

8.8.1.1 Overview

To support CC/CV, the Continuity Check Message (CCM) as described in [ITU-T G.8113.1] clause 8.2.1 is used.

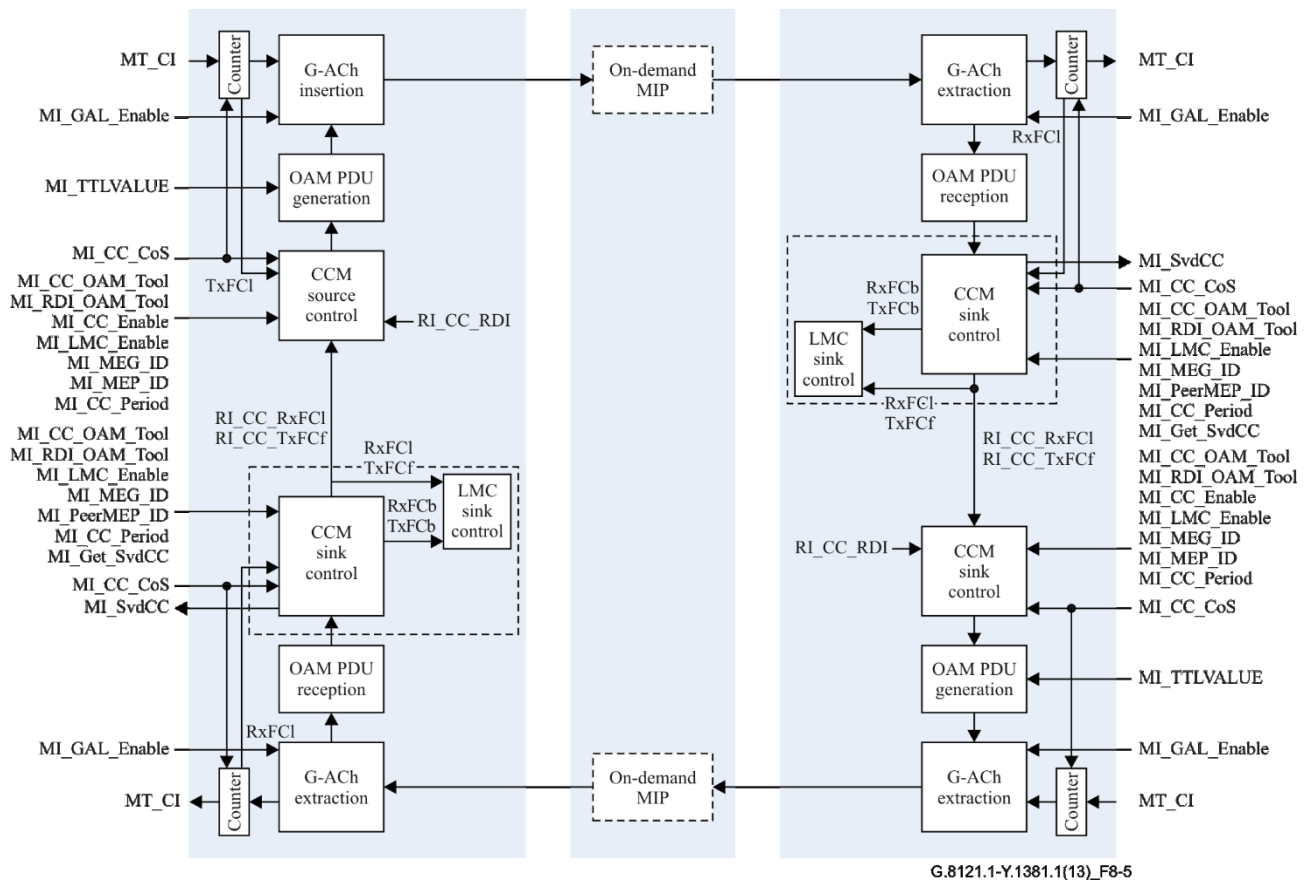


Figure 8-5/G.8121.1/Y.1381.1 – Overview of Processes involved with CCM

Figure 8-5 provides an overview of the processes that support the CC/CV function by using CCM. The CCM Generation process generates the CCM packets if MI_CC_Enable is true.

Note - MI CVp Enable defined in [ITU-T G.8121] is automatically configured true by setting MI_CC_Enable true.

The MI_MEG_ID and MI_MEP_ID are the MEG and MEP IDs of the MEP itself and these IDs are carried in the CCM packet. The CCM packets are generated with a periodicity determined by MI_CC_Period and with a priority determined by MI_CC_CoS. If MI_LMC_Enable is set, the CCM packets will also carry Loss Measurement information. The Generated CCM Traffic Units are inserted in the flow of MT_CI by the OAM MEP Source Insertion Process. MI_MEP_ID contains an integer value in the range 1-8191.

<..>

3) Clause 9.2.1.1, MPLS-TP Trail Termination Source function (MT_TT_So)

Update Table 9-1 as indicated:

Table 9-1/G.8121.1/Y.1381.1 – MT_TT_So inputs and outputs

Input(s)	Output(s)
MT_AP: MT_AI_D MT_AI_PHB MT_RP: MT_RI_CC_RDI MT_RI_CC_BlK MT_RI_CC_RxFCI MT_RI_CC_TxFCf MT_RI_OAM_Info(D,CoS,DP) MT_TT_So_MP: MT_TT_So_MI_GAL_Enable MT_TT_So_MI_TTLVALUE MT_TT_So_MI_MEG_ID MT_TT_So_MI_MEP_ID MT_TT_So_MI_CC_OAM_Tool MT_TT_So_MI_RDI_OAM_Tool MT_TT_So_MI_LMC_Enable MT_TT_So_MI_CC_CoS MT_TT_So_MI_CC_Period	MT_TCP: MT_CI_D MT_CI_oPHB MT_CI_iPHB MT_RP:

<p>MT_TT_So_MI_CC_Enable <u>(Note)</u></p> <p>MT_TT_So_MI_LMp_OAM_Tool MT_TT_So_MI_LML_Enable[1...M_{LMp}] MT_TT_So_MI_LMp_Period[1...M_{LMp}] MT_TT_So_MI_LMp_CoS[1...M_{LMp}]</p> <p>MT_TT_So_MI_DMp_OAM_Tool MT_TT_So_MI_DMp_Enable[1...M_{DMp}] MT_TT_So_MI_DMp_Period[1...M_{DMp}] MT_TT_So_MI_DMp_Test_ID[1...M_{DMp}] MT_TT_So_MI_DMp_CoS[1...M_{DMp}] MT_TT_So_MI_DMp_Length[1...M_{DMp}]</p> <p>MT_TT_So_MI_1DMp_OAM_Tool MT_TT_So_MI_1DMp_Enable[1...M_{1DMp}] MT_TT_So_MI_1DMp_Period[1...M_{1DMp}] MT_TT_So_MI_1DMp_Test_ID[1...M_{1DMp}] MT_TT_So_MI_1DMp_Length[1...M_{1DMp}] MT_TT_So_MI_1DMp_CoS[1...M_{1DMp}]</p> <p>MT_TP: MT_TT_So_TI_TimeStampI</p>	
<p><u>Note MI_CVp_Enable defined in [ITU-T G.8121] is automatically configured true by setting MI_CC_Enable true.</u></p>	

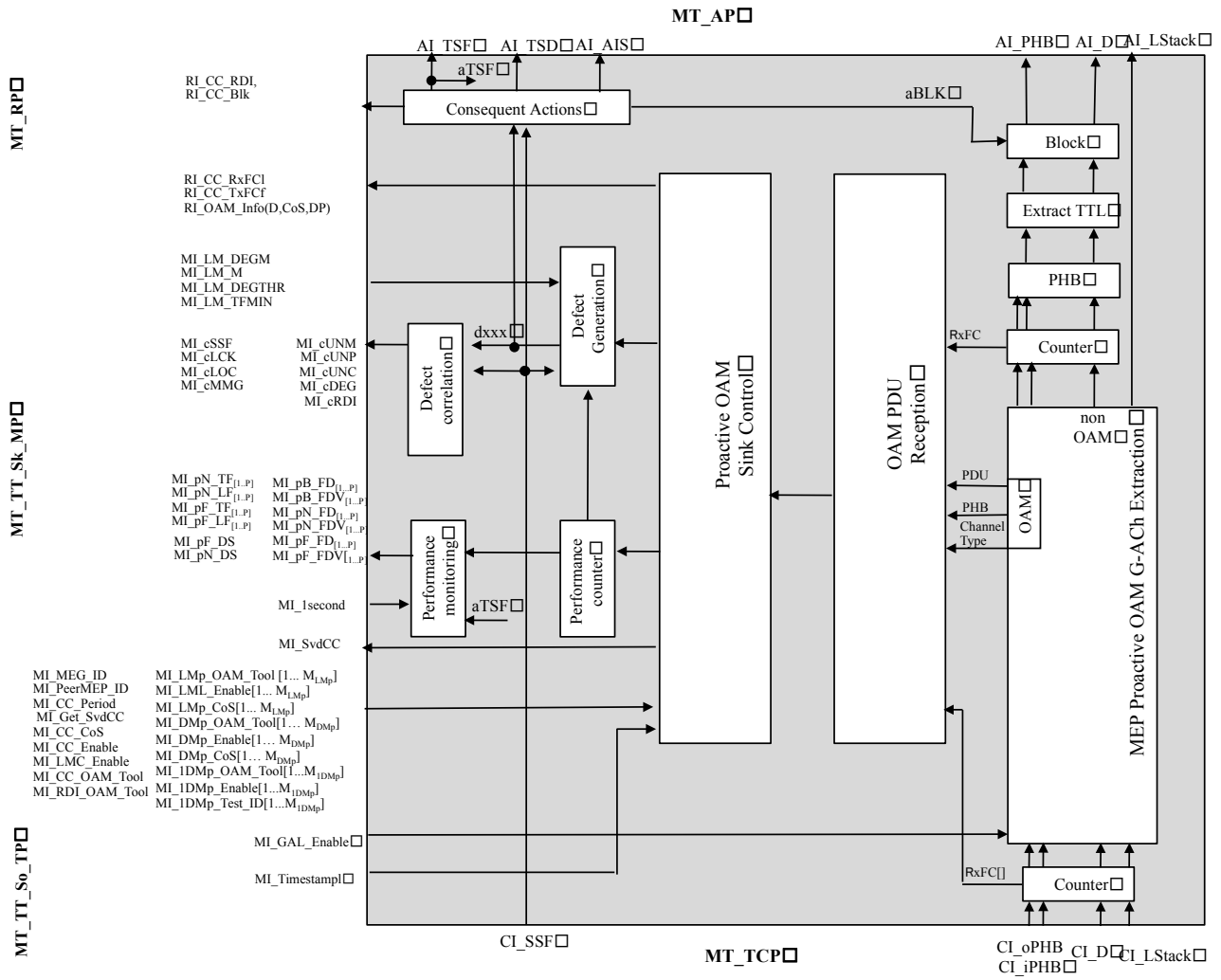
4) Clause 9.2.1.2, MPLS-TP Trail Termination Sink function (MT_TT_Sk)

Update Table 9-2 as indicated:

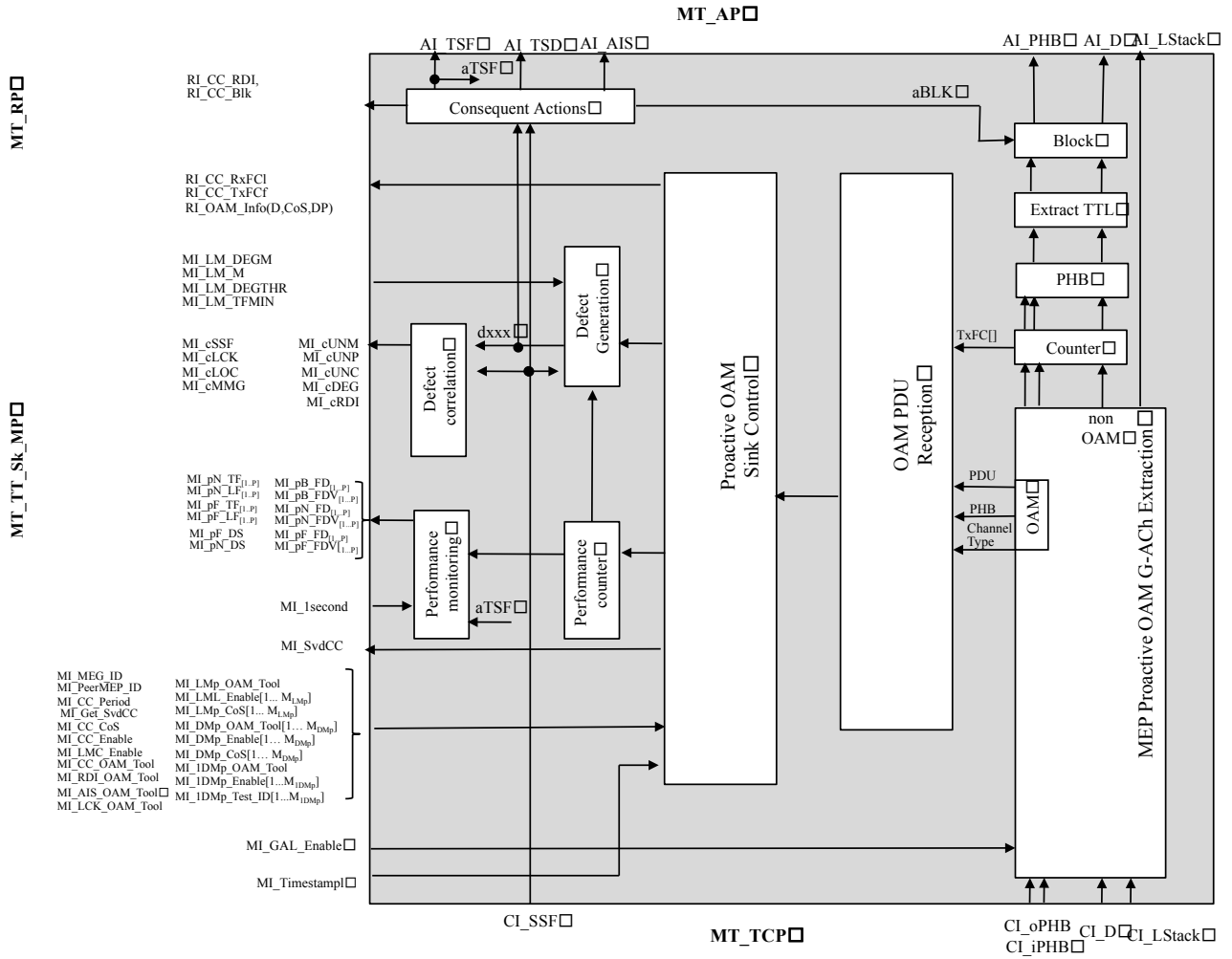
Table 9-2/G.8121.1/Y.1381.1 – MT_TT_Sk inputs and outputs

Input(s)	Output(s)
<p>MT_TCP: MT_CI_D MT_CI_iPHB MT_CI_oPHB MT_CI_SSF MT_CI_Lstack</p> <p>MT_RP:</p> <p>MT_TT_Sk_MP: MT_TT_Sk_MI_GAL_Enable MT_TT_Sk_MI_MEG_ID MT_TT_Sk_MI_PeerMEP_ID MT_TT_Sk_MI_CC_OAM_Tool MT_TT_Sk_MI_RDI_OAM_Tool</p> <p>MT_TT_Sk_MI_CC_Enable (Note) MT_TT_Sk_MI_LMC_Enable MT_TT_Sk_MI_CC_Period MT_TT_Sk_MI_CC_CoS MT_TT_Sk_MI_Get_SvdCC</p> <p>MT_TT_Sk_MI_LM_DEGM MT_TT_Sk_MI_LM_M MT_TT_Sk_MI_LM_DEGTHR MT_TT_Sk_MI_LM_TFMIN MT_TT_Sk_MI_LMp_OAM_Tool [1... M_{LMp}] MT_TT_Sk_MI_LML_Enable[1... M_{LMp}] MT_TT_Sk_MI_LMp_CoS[1... M_{LMp}]</p> <p>MT_TT_Sk_MI_DMp_OAM_Tool[1... M_{DMp}] MT_TT_Sk_MI_DMp_Enable[1... M_{DMp}] MT_TT_Sk_MI_DMp_CoS[1... M_{DMp}]</p> <p>MT_TT_Sk_MI_1DMp_OAM_Tool[1...M_{1DMp}] MT_TT_Sk_MI_1DMp_Enable[1...M_{1DMp}] MT_TT_Sk_MI_1DMp_Test_ID[1...M_{1DMp}]</p> <p><u>MT_TT_Sk_MI_AIS_OAM_Tool</u> <u>MT_TT_Sk_MI_LCK_OAM_Tool</u></p> <p>MT_TT_Sk_MI_1second</p> <p>MT_TP: MT_TT_Sk_TI_TimeStamp</p>	<p>MT_AP: MT_AI_D MT_AI_PHB MT_AI_TSF MT_AI_TSD MT_AI_AIS</p> <p>MT_AI_LStack</p> <p>MT_RP: MT_RI_CC_RDI MT_RI_CC_BlK MT_RI_CC_RxFCI MT_RI_CC_TxFCf</p> <p>MT_RI_OAM_Info(D,CoS,DP)</p> <p>MT_TT_Sk_MP: MT_TT_Sk_MI_SvdCC MT_TT_Sk_MI_cSSF MT_TT_Sk_MI_cLCK MT_TT_Sk_MI_cLOC MT_TT_Sk_MI_cMMG MT_TT_Sk_MI_cUNM MT_TT_Sk_MI_cUNP</p> <p>MT_TT_Sk_MI_cUNC</p> <p>MT_TT_Sk_MI_cDEG MT_TT_Sk_MI_cRDI</p> <p>MT_TT_Sk_MI_pN_LF[1...P] MT_TT_Sk_MI_pN_TF[1...P] MT_TT_Sk_MI_pF_LF[1...P] MT_TT_Sk_MI_pF_TF[1...P] MT_TT_Sk_MI_pF_DS MT_TT_Sk_MI_pN_DS MT_TT_Sk_MI_pB_FD[1...P] MT_TT_Sk_MI_pB_FDV[1...P] MT_TT_Sk_MI_pN_FD[1...P] MT_TT_Sk_MI_pN_FDV[1...P] MT_TT_Sk_MI_pF_FD[1...P] MT_TT_Sk_MI_pF_FDV[1...P]</p>
<p><u>Note MI_CVp_Enable defined in [ITU-T G.8121] is automatically configured true by setting MI_CC_Enable true.</u></p>	

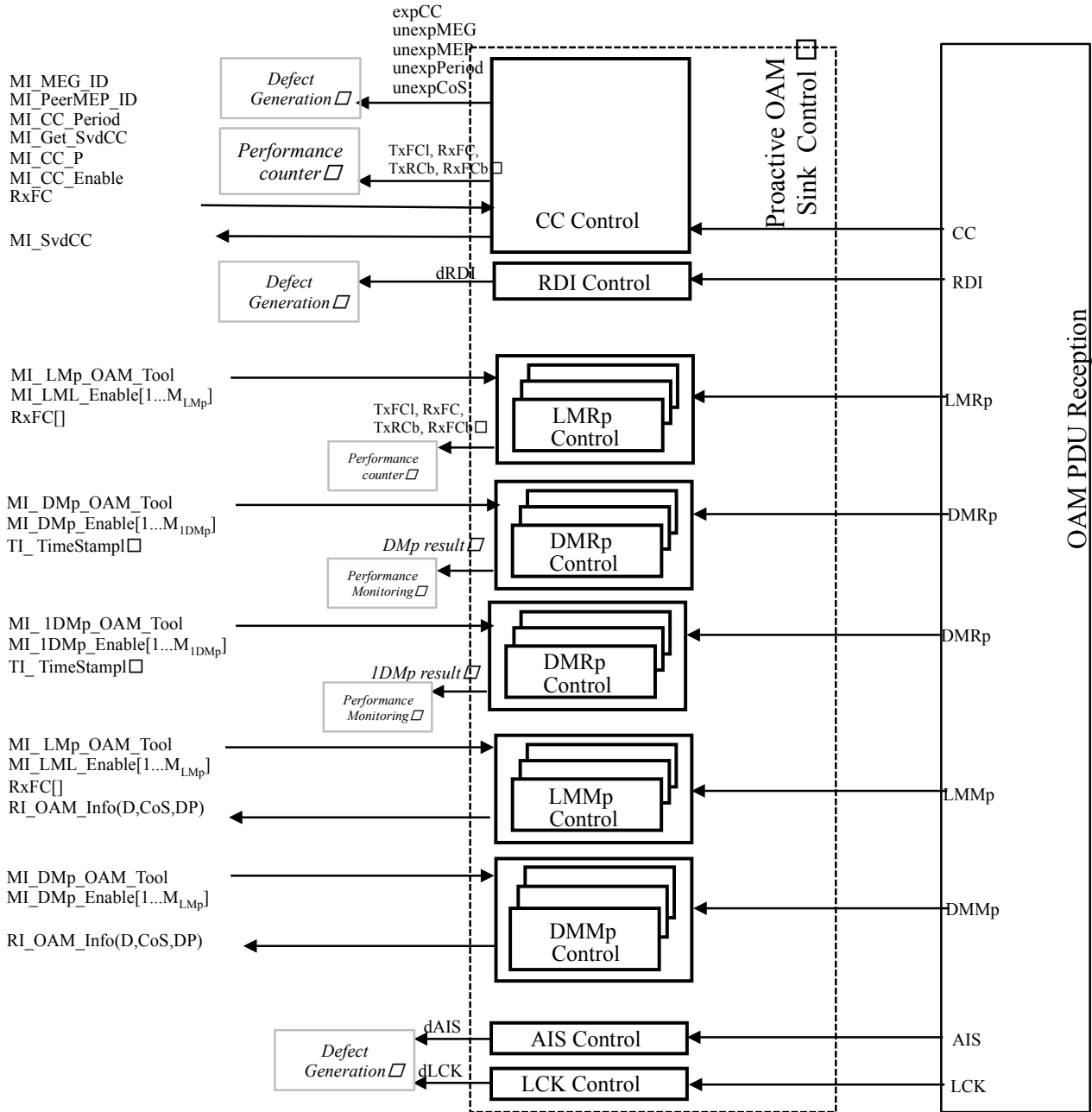
Replace Figure 9-6:



By:



Replace Figure 9-7:



By:

