

A YANG Data Model for Microwave Radio Link

draft-ietf-ccamp-mw-yang-04

<https://github.com/ietf-ccamp-mw/IETF-CCAMP-Microwave-YANG-Data-Model>

J. Ahlberg (Ericsson)

D. Spreafico (Nokia)

M. YE (Huawei)

M. Vaupotic (Aviat)

X. Li (NEC)

Status

- From 02 -> 03
 - Editorial changes to better adhere to the IETF Documentation Guidelines
 - RFC 6087 - Guidelines for Authors and Reviewers of YANG Data Model Documents
 - RFC 2223 - Instructions to RFC Authors
 - RFC 5741 - RFC Streams, Headers, and Boilerplates
 - RFC 7322 - RFC Document Style
 - Simplified data node names
 - Removing repetition of container name in constituent data nodes
 - Addition of examples
 - Examples on how to instantiate the model for two typical radio link configurations, 1+0 & 2+0.
- From 03 -> 04
 - Updates based on comments from Tom Petch – Thanks!
 - Addition of missing references
 - Miscellaneous editorial corrections

Model Changes

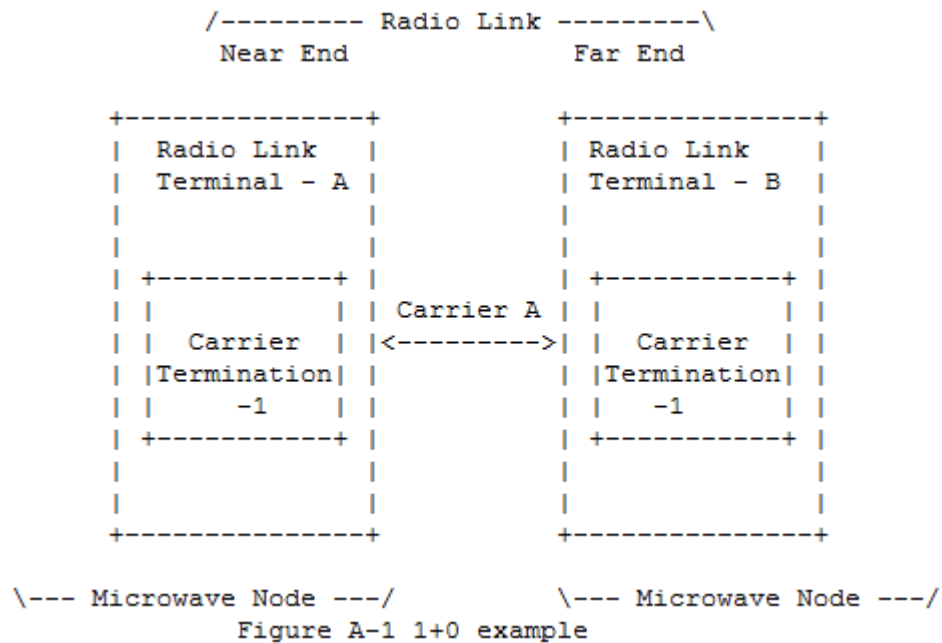
Simplified Names

```
module: ietf-microwave-radio-link
+--rw radio-link-protection-groups
| +--rw protection-group* [name]
|   +--rw name string
|   +--rw protection-architecture-type? identityref
|   +--rw protection-members* if:interface-ref
|   +--rw protection-operation-type? enumeration
|   +--rw working-entity* if:interface-ref
|   +--rw revertive-wait-to-restore? uint16
|   +--rw hold-off-timer? uint16
|   +--rw protection-status? identityref
|   +--x protection-external-commands
|     +--w input
|     +--w protection-external-command? identityref
+--rw xpic-pairs {xpic}?
| +--rw xpic-pair* [name]
|   +--rw name string
|   +--rw enabled? boolean
|   +--rw xpic-members* if:interface-ref
+--rw mimo-groups {mimo}?
+--rw mimo-group* [name]
+--rw name string
+--rw enabled? boolean
+--rw mimo-members* if:interface-ref
```



```
module: ietf-microwave-radio-link
+--rw radio-link-protection-groups
| +--rw protection-group* [name]
|   +--rw name string
|   +--rw architecture-type? identityref
|   +--rw members* if:interface-ref
|   +--rw operation-type? enumeration
|   +--rw working-entity* if:interface-ref
|   +--rw revertive-wait-to-restore? uint16
|   +--rw hold-off-timer? uint16
|   +--rw status? identityref
|   +--x external-commands
|     +--w input
|     +--w external-command? identityref
+--rw xpic-pairs {xpic}?
| +--rw xpic-pair* [name]
|   +--rw name string
|   +--rw enabled? boolean
|   +--rw members* if:interface-ref
+--rw mimo-groups {mimo}?
+--rw mimo-group* [name]
+--rw name string
+--rw enabled? boolean
+--rw members* if:interface-ref
```

Addition of Examples Instantiation of Configurations



Near End – Radio Link Terminal - A

```

"interface": [
  {
    //RLT-A
    "name": "RLT-A",
    "description": "Radio Link Terminal A",
    "type": "mrl:radio-link-terminal",
    "id": "RLT-A",
    "mode": "one-plus-zero",
    "carrier-terminations": [
      "RLT-A:CT-1",
    ],
  },
  {
    //CT-1
    "name": "RLT-A:CT-1",
    "description": "Carrier Termination 1",
    "type": "mrl:carrier-termination",
    "carrier-id": "A",
    "tx-enabled": true,
    "tx-oper-status": on
    "tx-frequency": 10728000,
    "duplex-distance": 644000,
    "channel-separation": 28,
    "polarization": not-specified,
    "power-mode": rtpc,
    "coding-modulation-mode": 0,
    "selected-cm": "gam-512"
  },
]
  
```

Way Forward

- The model definition considered to be complete and stable
 - A comment suggests to break out 'enumerations' into a separate module
- Asking for WG LC