

IETF-101 London

Reverse Defect Indicator for MPLS FM OAM

draft-ama-mpls-fm-rdi-00

Ashesh Mishra, Mahesh Jethanandani, Ankur Saxena

Motivation

Bi-directional MPLS FM OAM (RFC 6427) fault coordination ...

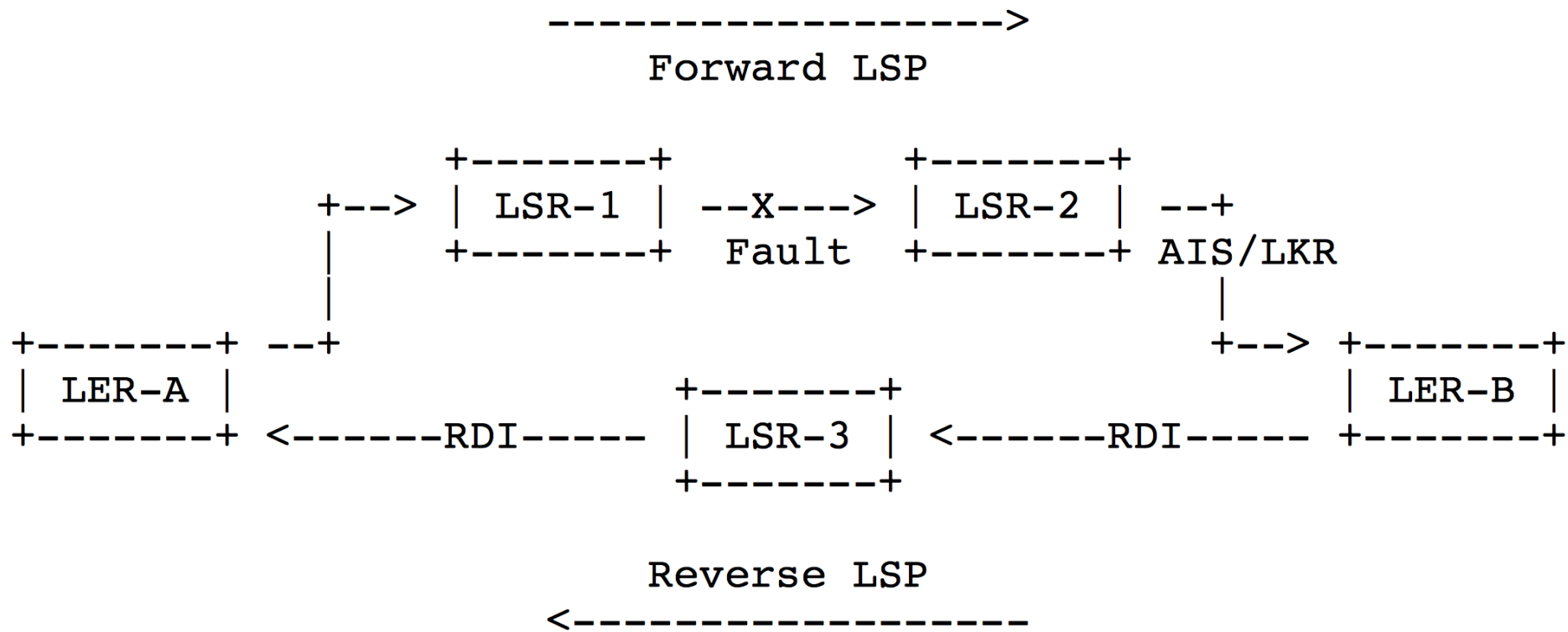
for non-corouted MPLS-TP LSPs ...

at high scale ...

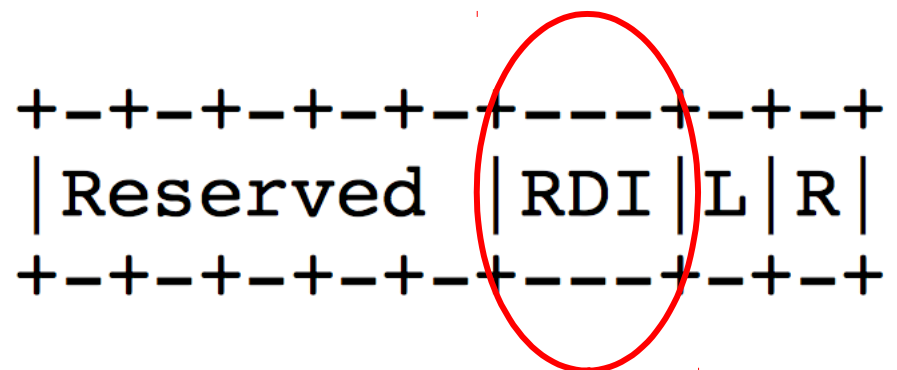
in low-power systems ...

using single protocol

Operation



Changes to RFC 6427



where:

L-Flag and R-Flag are as defined in RFC 6427 [RFC6427].

RDI-Flag: Reverse Defect Indication Flag. The RDI-Flag is clear in the common MPLS FM OAM messages as defined in RFC 6427 [RFC6427]. The RDI-Flag is set to indicate that the message is MPLS FM OAM RDI.

Requesting WG adoption

Key benefits:

- Deployed in production network and delivers the desired performance and scale.
- Minimal change to RFC6427 implementation to support this draft.
- Reduces the number of protocols required for basic connectivity monitoring in constrained environment.