

BGP-LS extension for inter-as topology retrieval

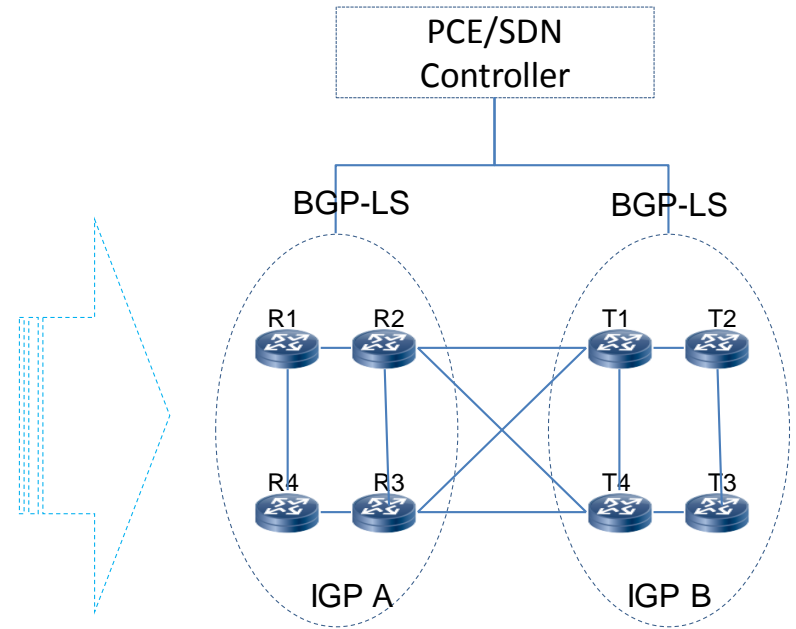
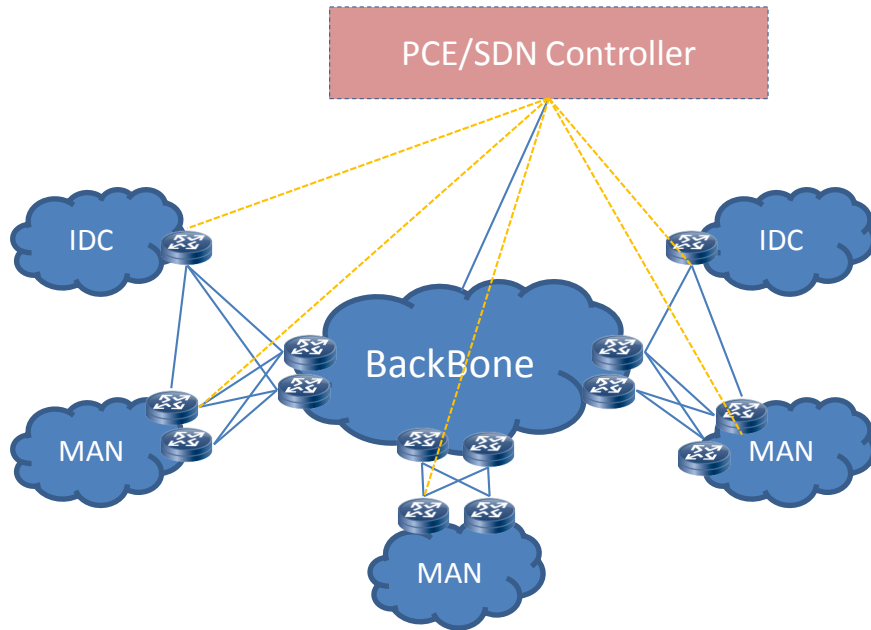
[draft-wang-idr-bgpls-inter-as-topology-ext](#)

Aijun Wang
China Telecom
IETF102@Montreal, July 2018

Contents

- Scenarios Review
- Updated Solutions
- Proposed BGP-LS Extensions
- Further Action

Scenario Review



1. One backbone and hundreds of MAN/IDC, which are interconnected with each other via bundles of links. Each MAN/IDC and Backbone are in different IGP domain.
2. Need to collect the topology of each domain and build the inter-domain topology as well automatically.

1. IGP A/IGP B may run different IGP protocol, distributed traffic engineering may or may not deploy in every domain.
2. Collect the topology information from different domains via BGP-LS, and retrieve inter-as topology under different scenarios.

Current Solutions

RFC/Draft	Key Points	Limitation
RFC7752 (BGP-LS)	IGP topology within one domain	No inter-as topology information
SR-EPE	ASBR reports the inter-as links and nodes	Every ASBR must run BGP-LS protocol
SR-EXT	Introduce “Source Router Identifier” TLV to transfer	Mainly for IS-IS
RFC5316 (IS-IS TE extension for inter-AS)	IS-IS TLV extension to transfer the information about inter-AS TE links and nodes	Deployment TE within each domain/Not included in BGP-LS
RFC 5392 (OSPF TE extension for inter-AS)	OSPF TLV extension to transfer the information about inter-AS TE links and nodes	Deployment TE within each domain/Not included in BGP-LS
PCE in Native IP	Describe scenarios for PCE in Native IP	No solution for inter-as topology retrieval

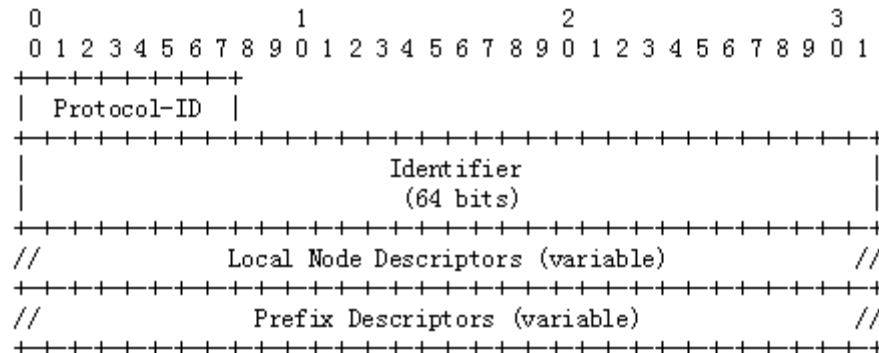
Updated Solution

IS-IS/OSPF Inter-AS in Native IP Scenario

1. Redistribute the interconnect links into ISIS/OSPF protocol

IGP Protocol	Redistributing Router Information	Ref.
OSPFv2	Advertising Router of "LSA Type 5"	RFC2328 section 12.1.5 "Advertising Router"
OSPFv3	Advertising Router of "E-AS-External-LSA"	draft-ietf-ospf-ospfv3-lsa-extend-23#section-4.5
ISIS	IP External Reachability Information	RFC1195

2. Encode the "Redistributing Router Information" in "Local Node Descriptor" of Prefix NLRI



Proposed BGP-LS extension

IS-IS/OSPF Inter-AS TE Scenario

Define new Inter-AS TE related TLVs

TLV Code Point	Description	IS-IS/OSPF TLV/Sub-TLV	Reference (RFC/Section)
TBD	Remote-AS Number	24/21	[RFC5316]/3.3.1 [RFC5392]/3.3.1
TBD	IPv4 Remote ASBR ID	25/22	[RFC5316]/3.3.2 [RFC5392]/3.3.2
TBD	IPv6 Remote ASBR ID	26/24	[RFC5316]/3.3.3 [RFC5392]/3.3.3

TE scenario

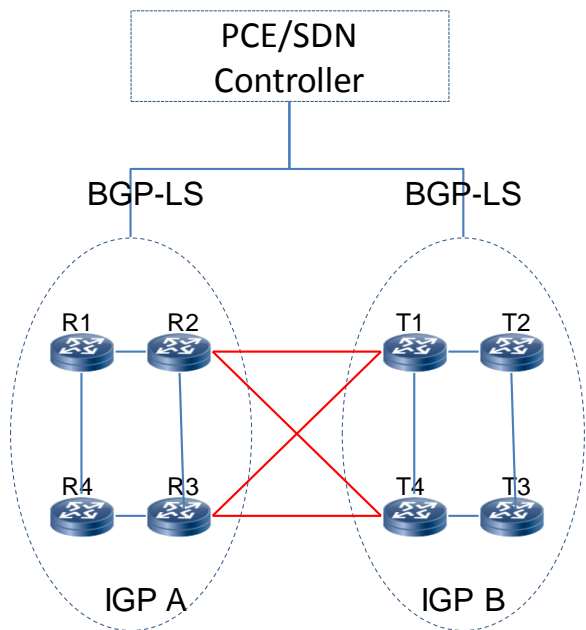
Topology Reconstruction

- TE Scenario

- Topology reconstruction is straightforward. Because PCE/SDN controller knows the AS, ASBR IPv4/IPv6 router-ID, associated TE links that are already included in BGP-LS TLV, and remote AS, remote ASBR IPv4/IPv6 router-ID that newly proposed in current draft.

- Non-TE Scenario

- Reconstruction Process is shown below:



Non-TE Scenario

PCE collects BGP-LS topology respectively in different domain
(inter-AS links are normally not included)



Redistribute inter-as links on every ASBR router in each domain



Redistribute routes will be included in NLRI type 3 or NLRI type 4 of BGP Link-State NLRI
(no information about the originator of these prefixes)



With “Local Node” that associated with Prefix NLRI be encoded with redistribute information described in [current draft](#)
PCE can anchor these prefixes to corresponding ASBR



PCE reconstruct the inter-as topology when comparing these prefixes and their anchors

Further Action

- Comments?
- Adopt as WG-draft?

wangaj.bri@chinatelecom.cn

IETF102@Montreal