

YANG Data Model for SD-WAN VPN service model delivery

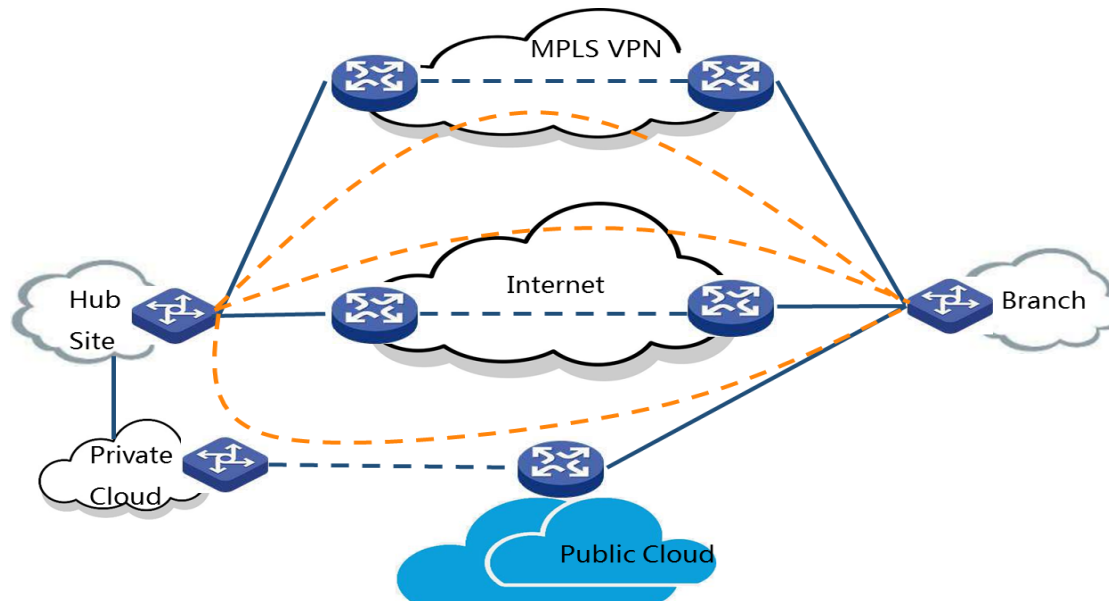
draft-sun-opsawg-sdwan-service-model-00

Qiong Sun
Chongfeng Xie (presenter)
China Telecom

Bo Wu
Huawei Technologies
IETF102@Montreal

Overview of SD-WAN

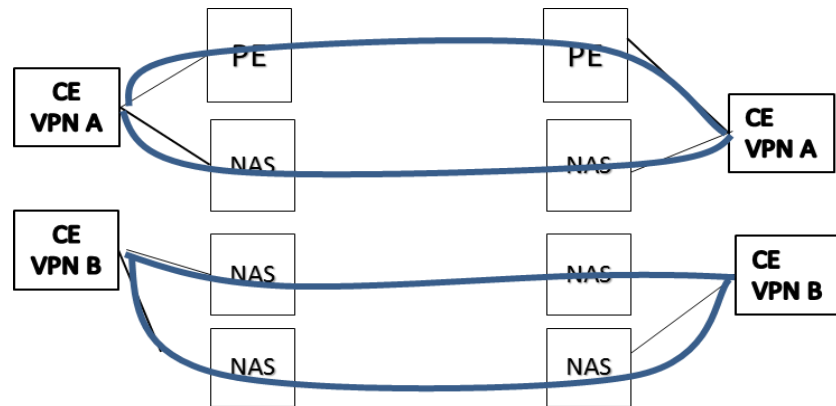
- A new kind of VPN service provisioned by
 - Using Internet connection only or together with traditional transport techniques, such as MPLS VPN
 - Orchestrating function instance, i.e., vFW, vCE, on customer premise or cloud
- Rapid deployment, fast provisioning, i.e., within hours



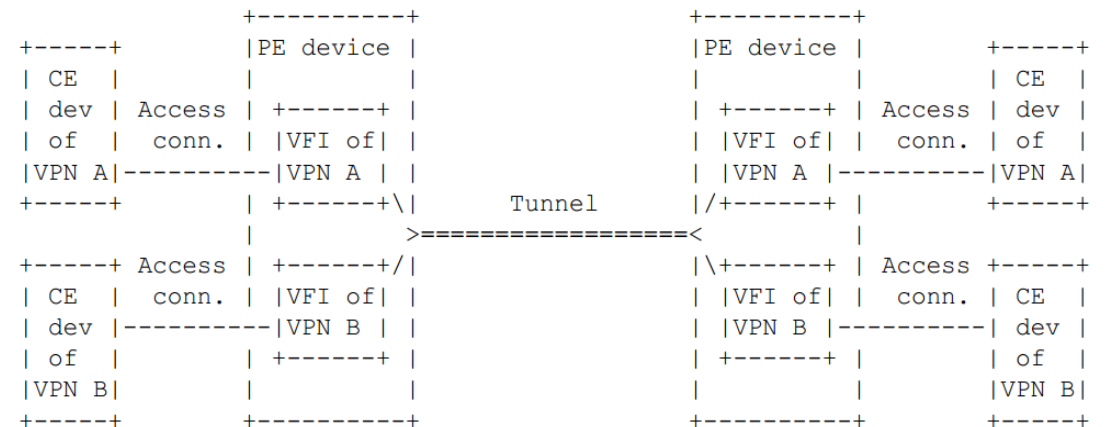
Difference from L3SM, L2SM

- Difference
 - L3 VPN/L2 VPN: Provider provisioned, PE-based VPN and PE maintains VPN state
 - SD-WAN : CE-based overlay VPN, PE has no knowledge of it
- Association
 - SD-WAN can leverage L2VPN and L3VPN as underlay transport technologies

SD-WAN

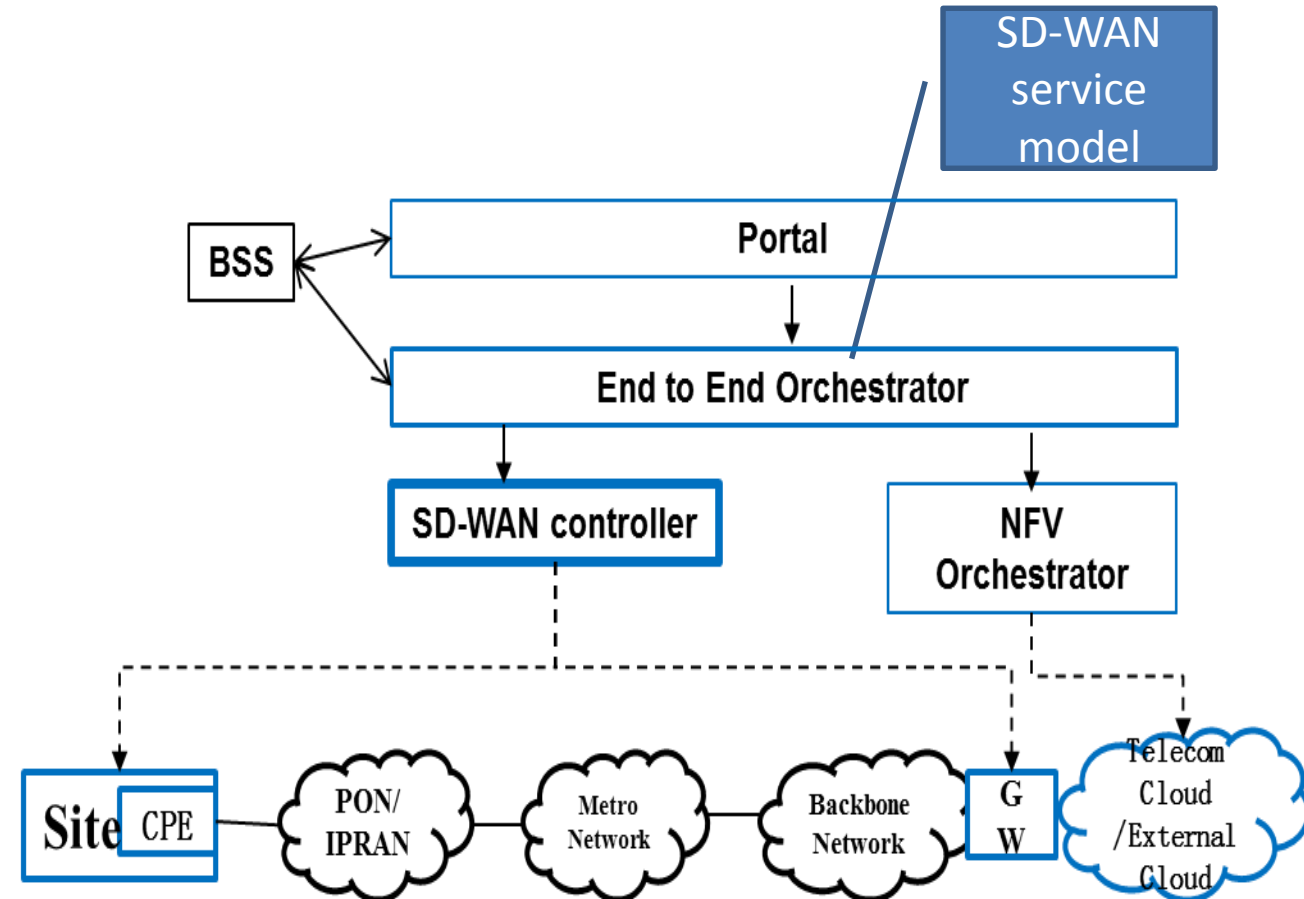


MPLS VPN from RFC4110(A Framework for L3 PPVPNs)



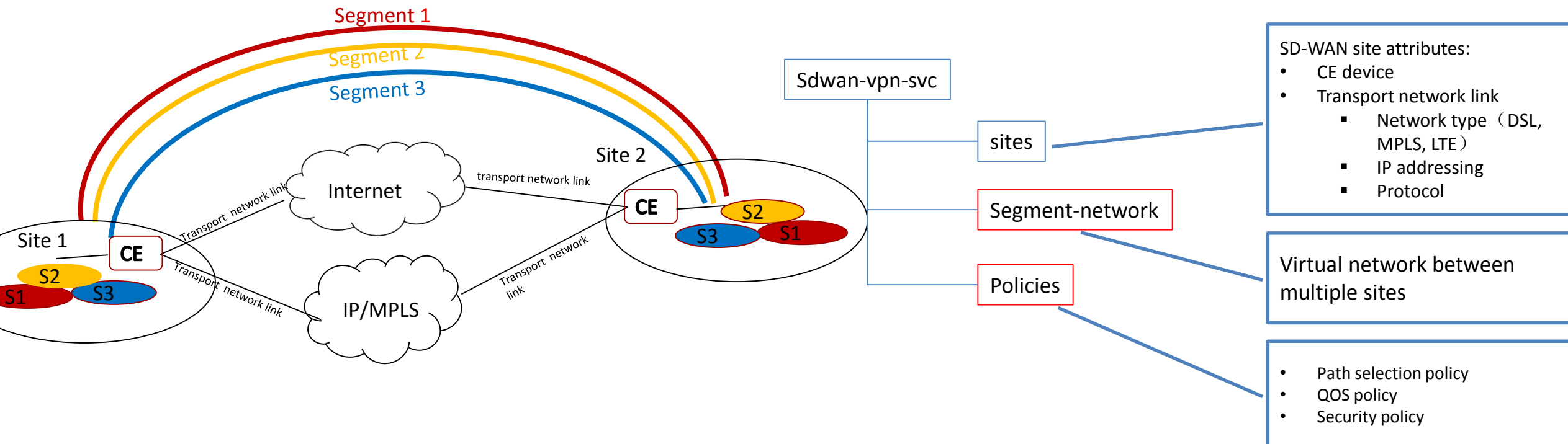
Why a service model is needed for SD-WAN?

- Service agility needs orchestration and automation
 - Dynamic, e.g. new branch, bandwidth adjust, holiday use
 - Cloud service extension
 - Service lifecycle management
- Abstraction of customer requirements to the service
 - no specific detail of protocol and NE configuration



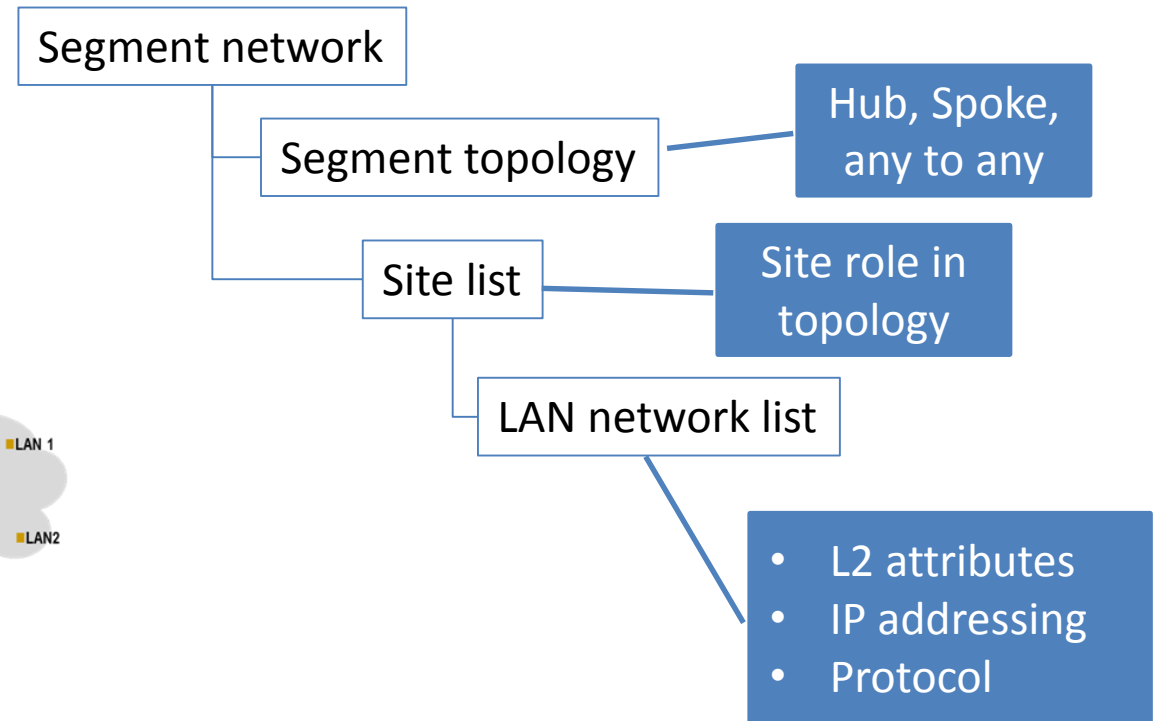
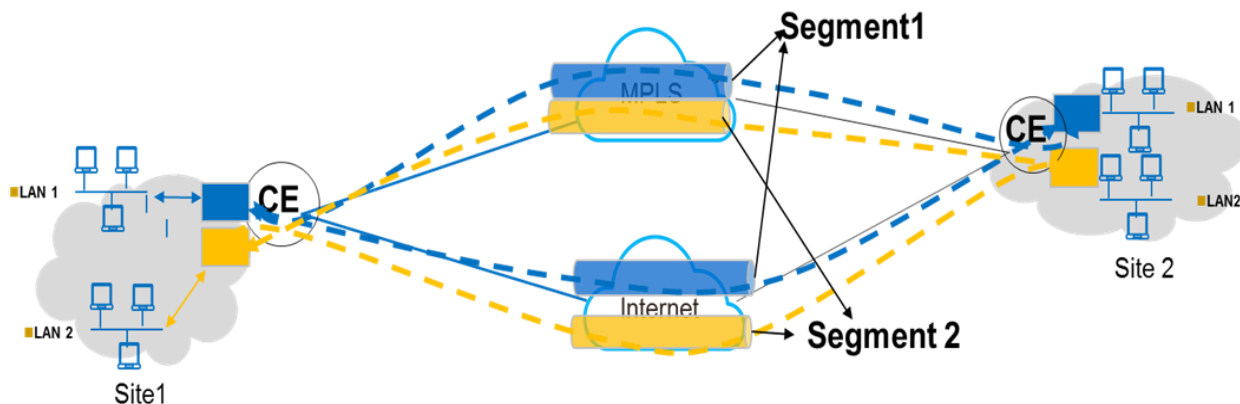
SD-WAN service model overview

- The tree model architecture complies with L3SM&L2SM, but add two major components:
 - Segment network: Customer could have multiple virtual network which are not allowed to communicate with each other
 - Policies: Policy could be applied per segment or per site in application or flow granularity

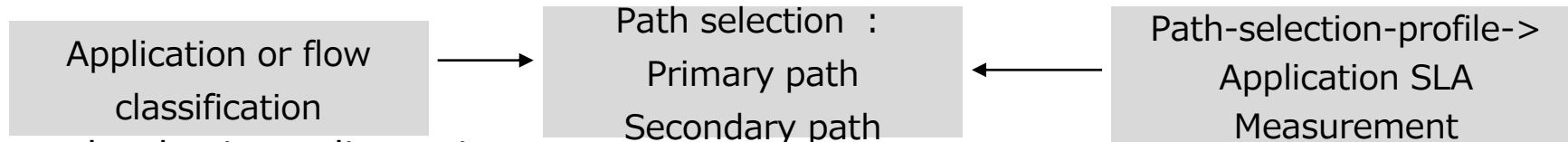
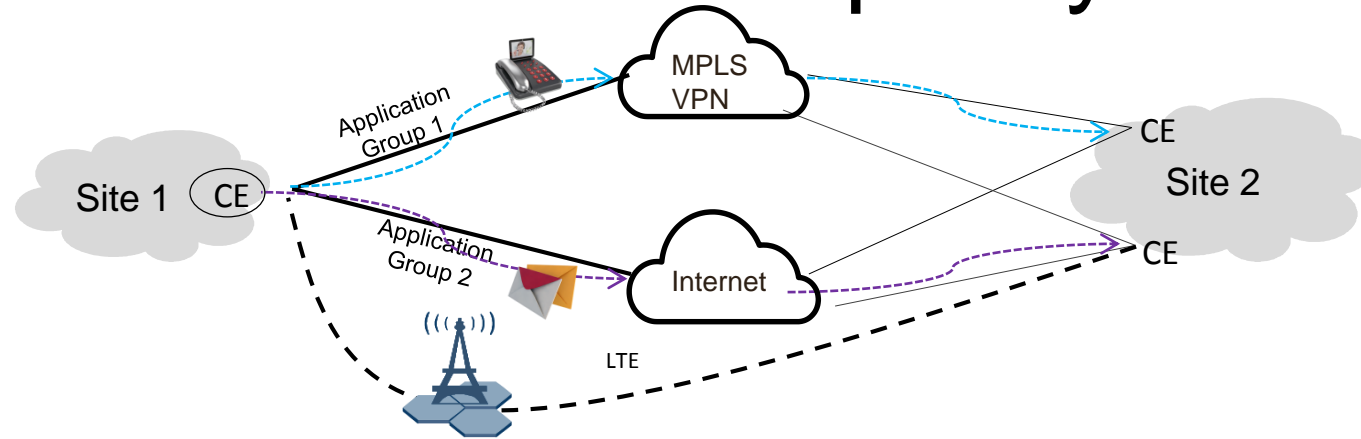


Segment network

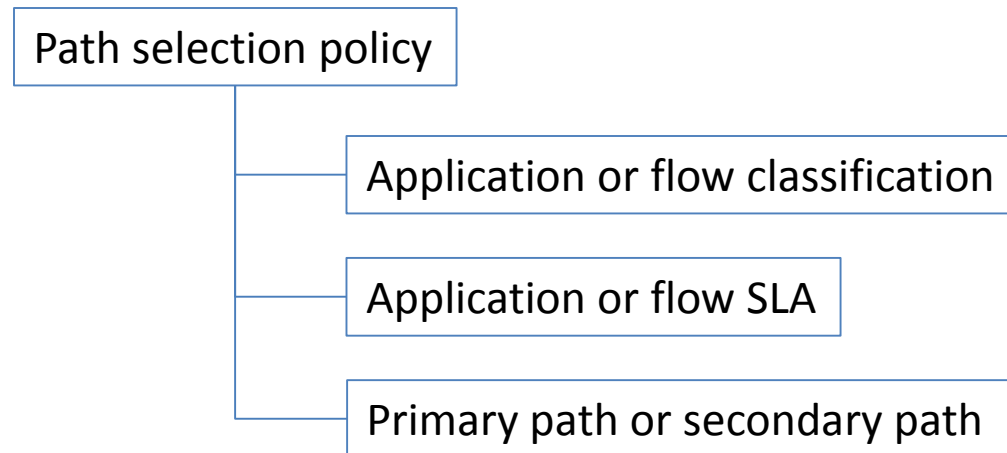
- Ensure per segment traffic separation
 - site to site connection
 - site to external network interconnection (Internet, public cloud)



Path selection policy



- Path selection policy main parameters
 - Customers define their own applications and flow classification
 - Voice, video, game, critical data
 - Application or flow SLA
 - monitor the delay, jitter or packet of application or flow
 - Path selection: based on the status, steer the traffic to appropriate transport network link



Next steps

- The authors appreciate thoughts, feedback, and text on the content of the documents.
- And then prepare another version.