

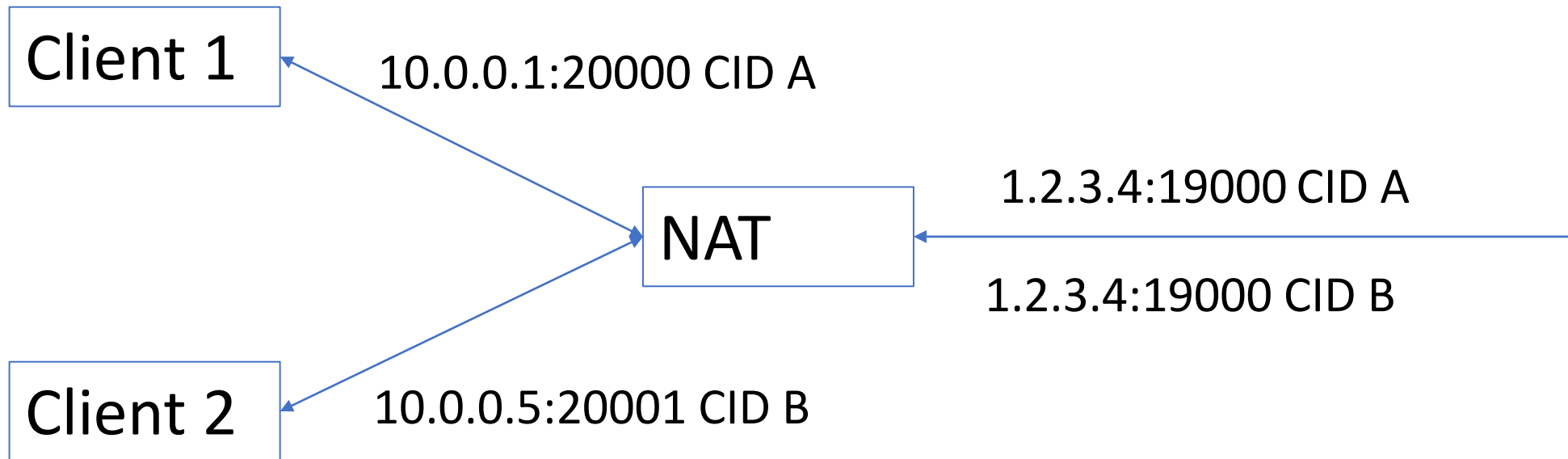
# NAT Support for QUIC

draft-duke-quic-natsupp-02

# TL;DR

- NATs should treat QUIC like any other UDP packet; if they try to use the Connection ID they'll break something

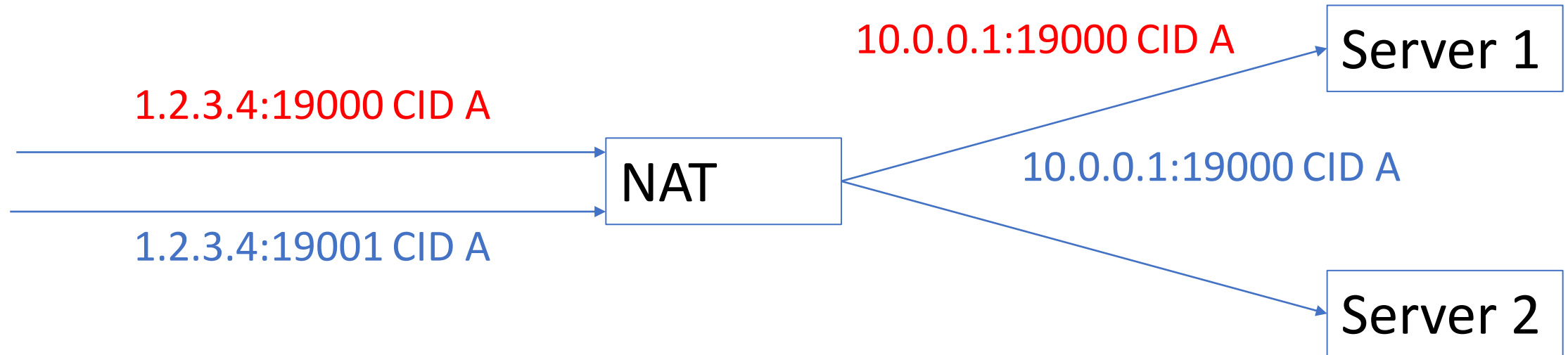
# Client NAT



Works great until the CIDs change – then it black holes

# Server NAT

Routing infrastructure here  
is 5-tuple based



Bypasses validation procedures

Doesn't work when CID changes  
(migration)

# Document Status

- Currently an individual draft in QUICWG
- Any outcome is fine
  - Incorporate text into QUIC operations draft
  - Reference an expired individual draft in QUIC ops draft
  - Standalone Informational RFC
  - Drop it altogether