

SRv6 Path Egress Protection

draft-ietf-rtgwg-srv6-egress-protection-00

IETF 108

Overview

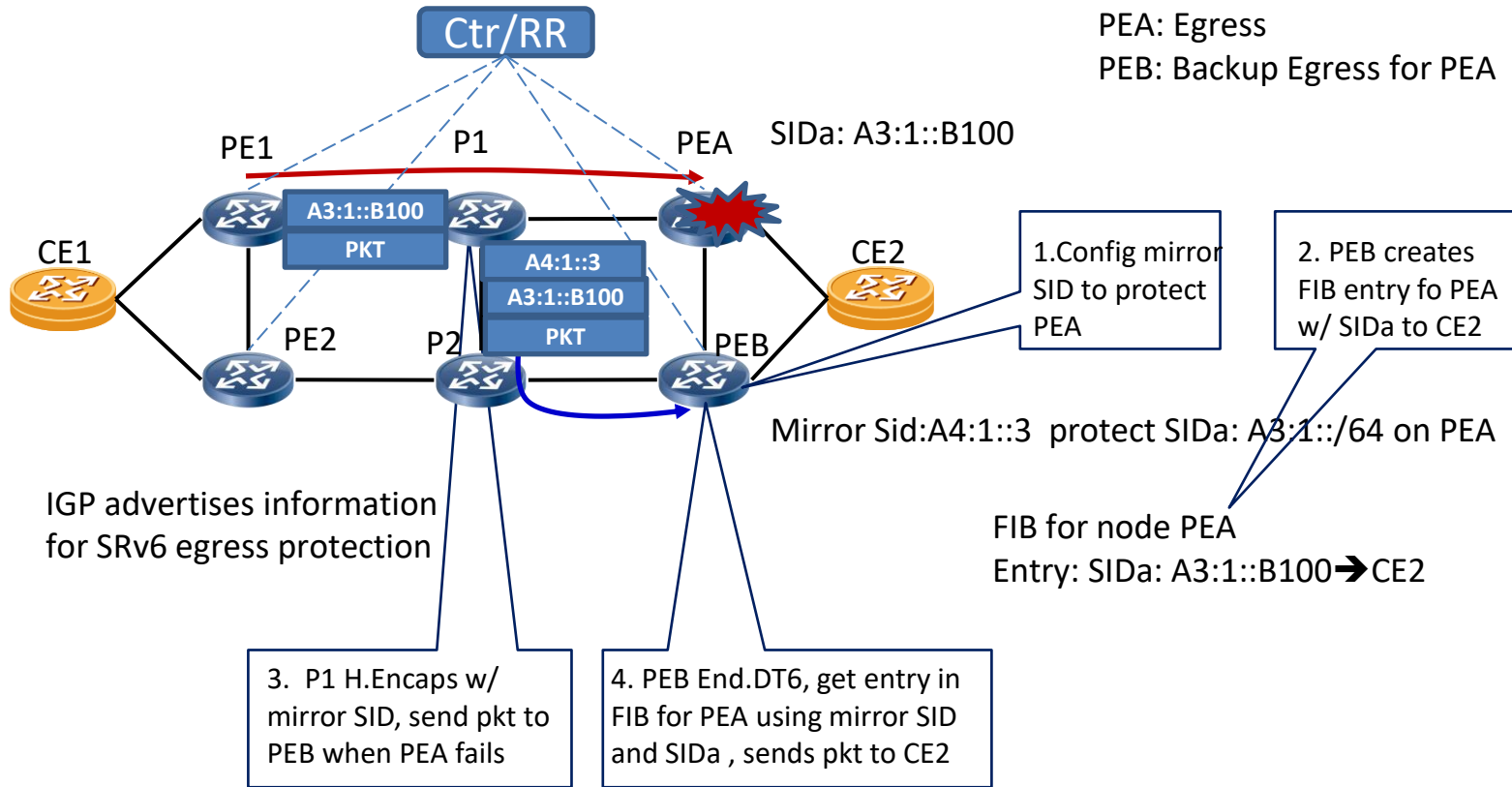
Thanks people below for their comments and suggestions around WG adoption call

- Yimin Shen
- Zhenqiang Li,
- Alexander Vainshtein
- Greg Mirsky
- Bruno Decraene and
- Jeff Tantsura

Updates to Previous Versions

- Added details on SR egress protection mechanism
- Changed to use H.Encaps
- Some Editorial Changes

SR Egress Protection Mechanism



Next Steps

- Welcome comments