

Update on RSVP Diagnostics

Andreas Terzis

Subramaniam Vincent

Bob Braden

Lixia Zhang

December 10, 1998

Text Changes

A lot of polishing on text

- Diagnostic header format: SESSION and Diagnostic header traded places
- SELECT Object was renamed to DIAG_SELECT
- Added wording about what objects are **required**, and what is the **recommended** order of the objects in the message

Text Changes (cont.)

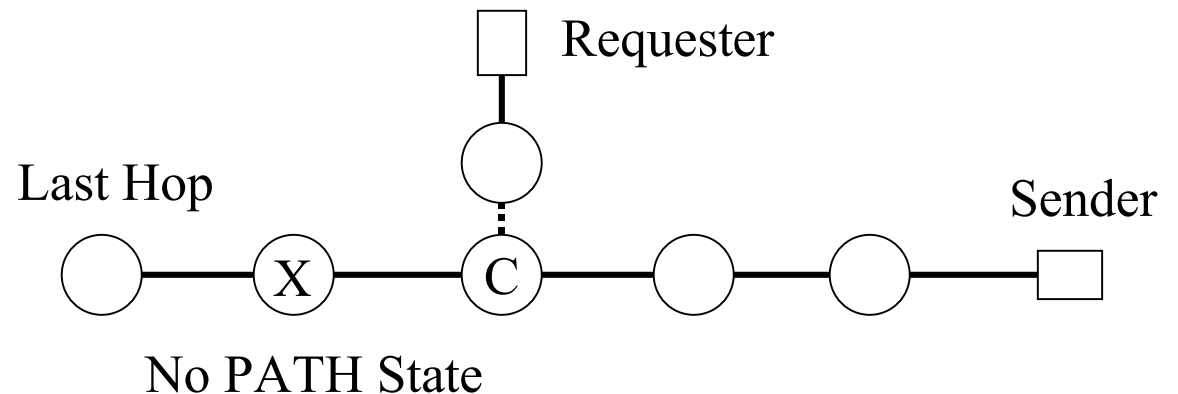
- In DIAGNOSTIC Object Sender FILTER_SPEC was changed to SENDER_TEMPLATE (comply with RSVP semantics)
- TUNNEL Object discussion: updated to reflect changes in the Tunnel draft
- DIAGNOSTIC_RESPONSE Object has changed. Contains basic list of returned info and then objects selectable by DIAG_SELECT
- DIAGNOSTIC_RESPONSE contains a full STYLE object instead of the 4 bytes of the style type

Scheme Limitations

May not work in two unicast cases when trying to by-pass "black holes"

– Traceroute gives info **from** req **to** source

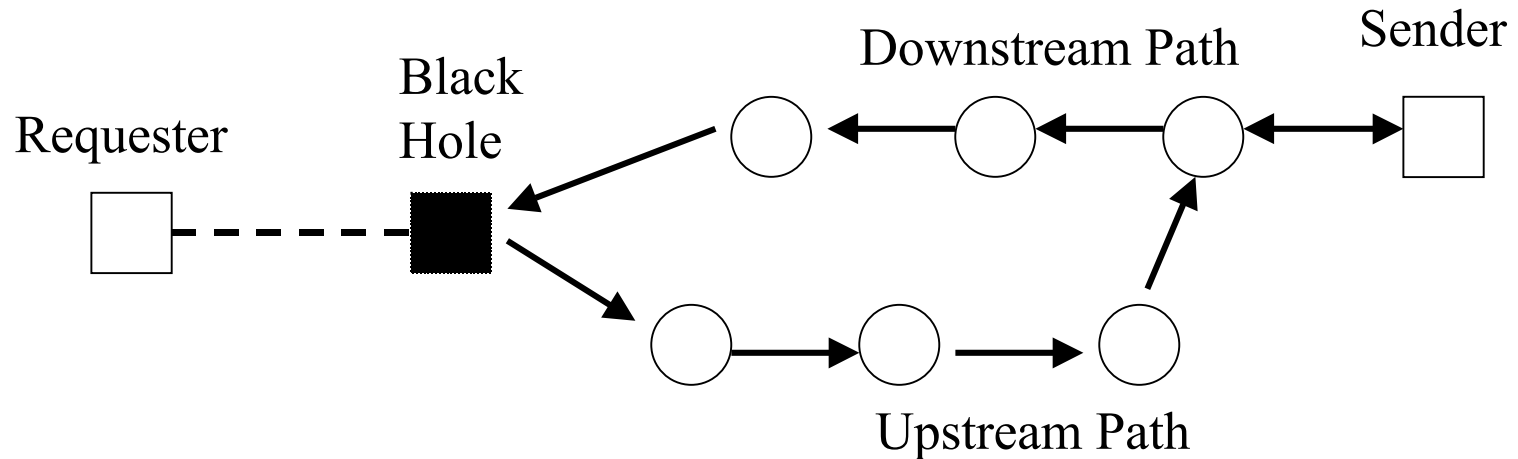
1. LAST_HOP not on path from Requester to Sender



- If router has no PATH state then Error!
- Requester->sender traceroute does not help here

Scheme Limitations (cont.)

2: Hop after black hole different in upstream path from hop in downstream path



- If paths converge, we get partial results

Implementation Update

- During last IETF we talked about ongoing work for GUI Diagnostic client
 - Java applet provides GUI
 - C program back-end sends DREQs and receives DREPs
- Now available at <http://irl.cs.ucla.edu/>