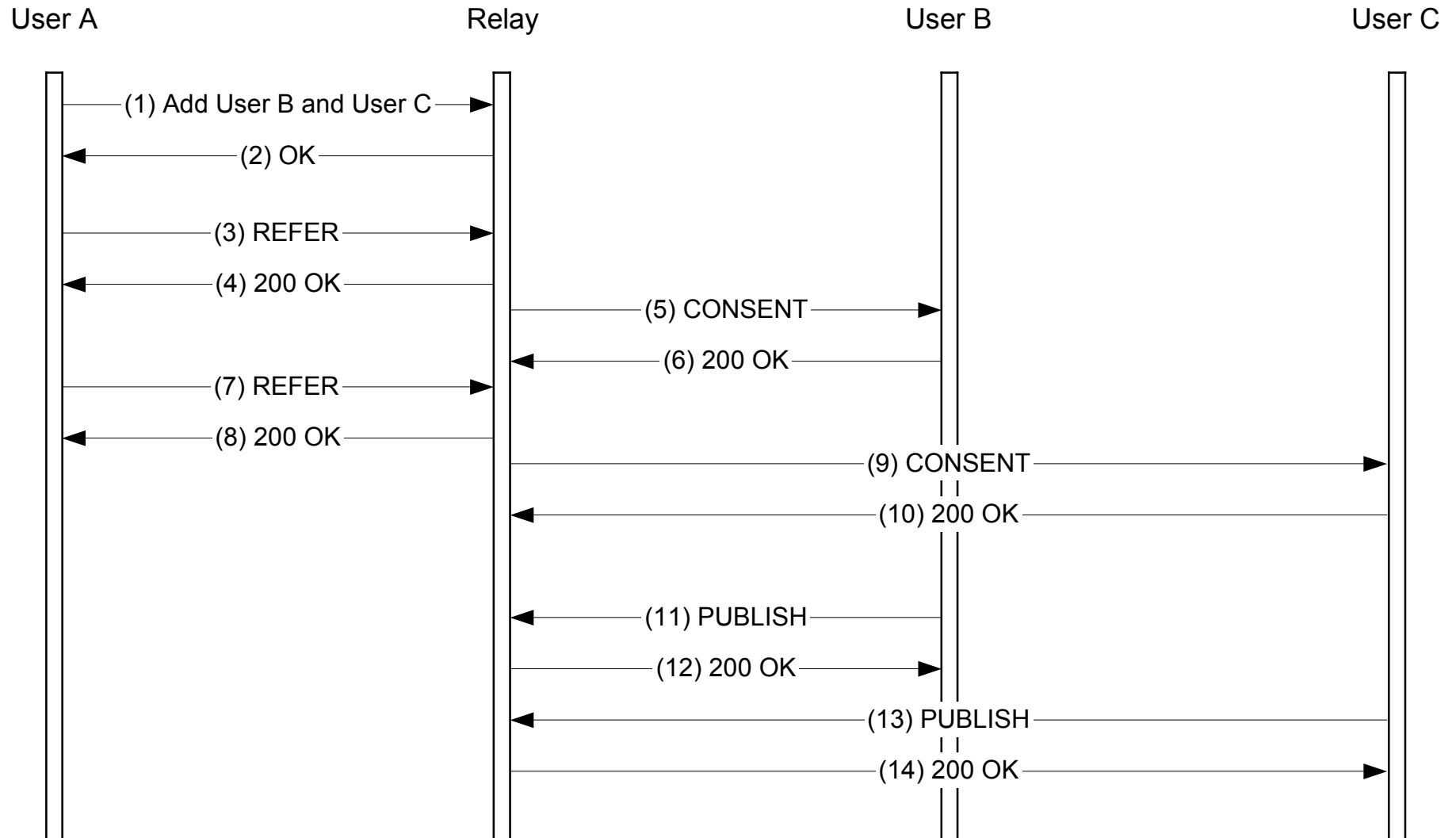


Consent Framework

draft-ietf-sipping-consent-framework-03.txt

Gonzalo.Camarillo@ericsson.com

Prototypical Call Flow



Permission Document Format

```
<target>  
  <identity>  
    <id>bobs-friends@example.com</id>  
  </identity>  
</target>
```

```
<sender>  
  <identity>  
    <any-identity/>  
  </identity>  
</sender>
```

```
<recipient>  
  <identity>  
    <id>alice@example.com</id>  
  </identity>  
</recipient>
```

```
<operations>  
  <method>INVITE</method>  
</operations>
```