

# LEMONADE update

March 2006

IETF LEMONADE WG co-chairs:

**Glenn Parsons**

[gparsons@nortel.com](mailto:gparsons@nortel.com)

**Eric Burger**

[eburger@cantata.com](mailto:eburger@cantata.com)

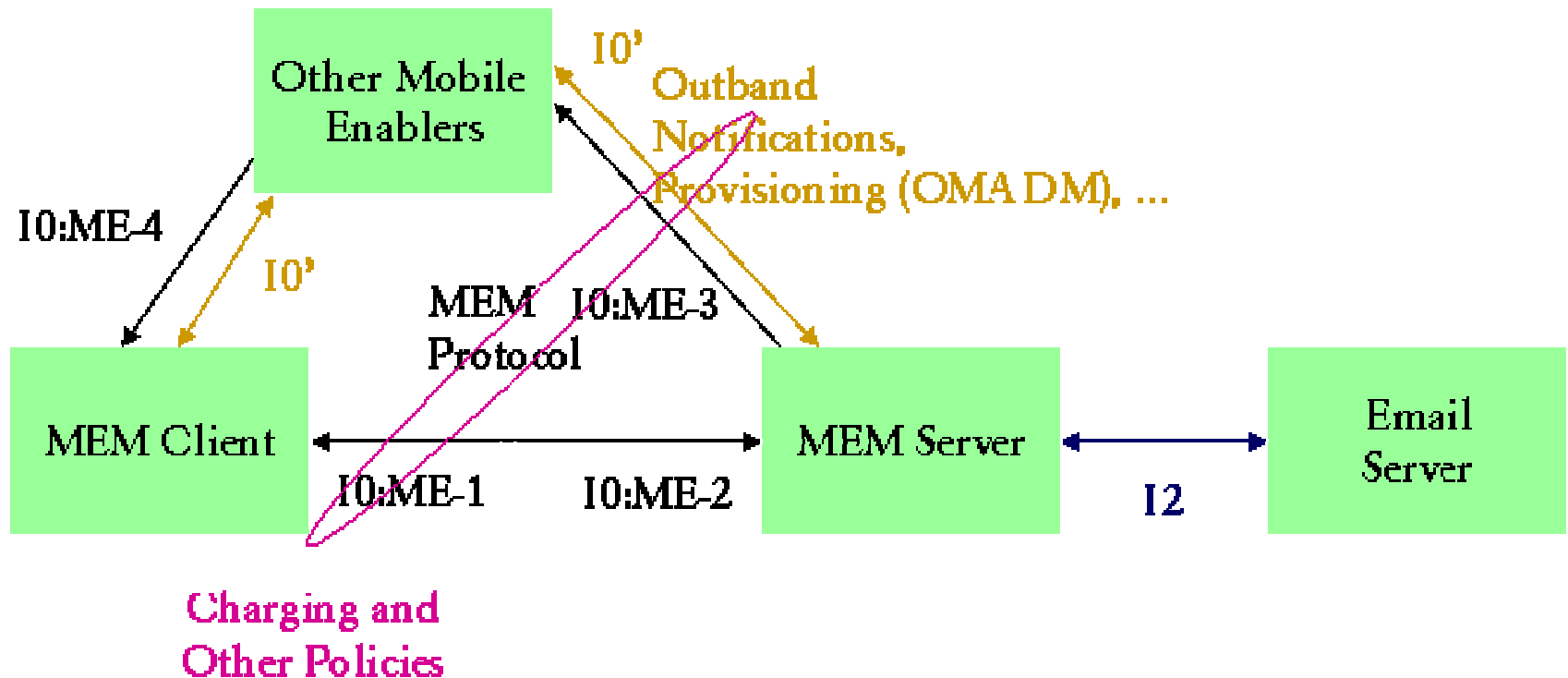
# Summary

- Previous OMA liaisons
- LEMONADE Architecture
- LEMONADE Profile of MUSTs
- Relevant highlights
  - Forward without download
  - Notifications
  - Filters
  - Partial messages
- Timeline
- Proposed realization of OMA requirements

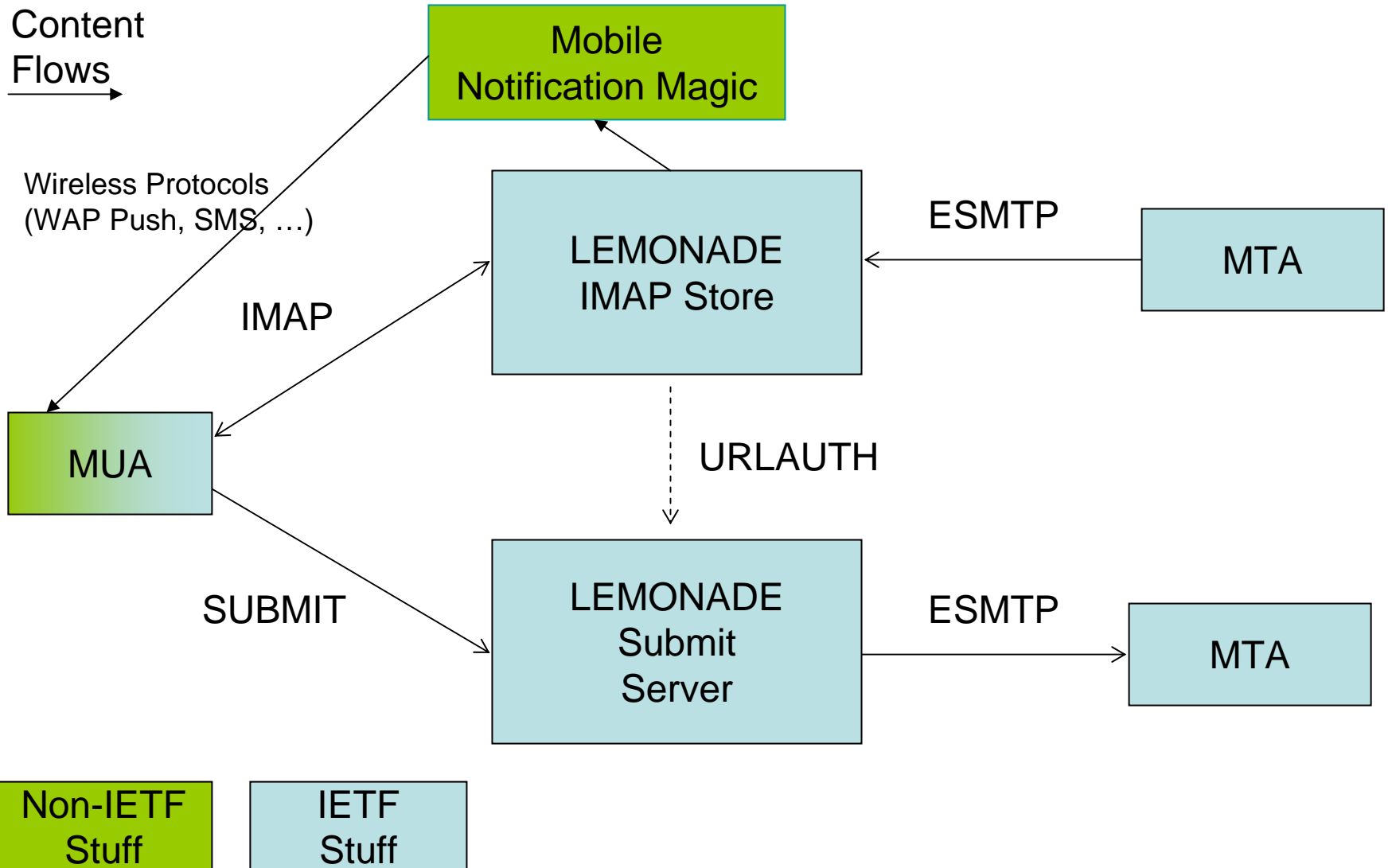
# Previous LEMONADE input

- What is LEMONADE?
  - OMA-MWG-MEM-2005-11 R1
- What is Internet Mail?
  - OMA-MWG-MEM-2005-12 R1
- Liaisons
  - ....

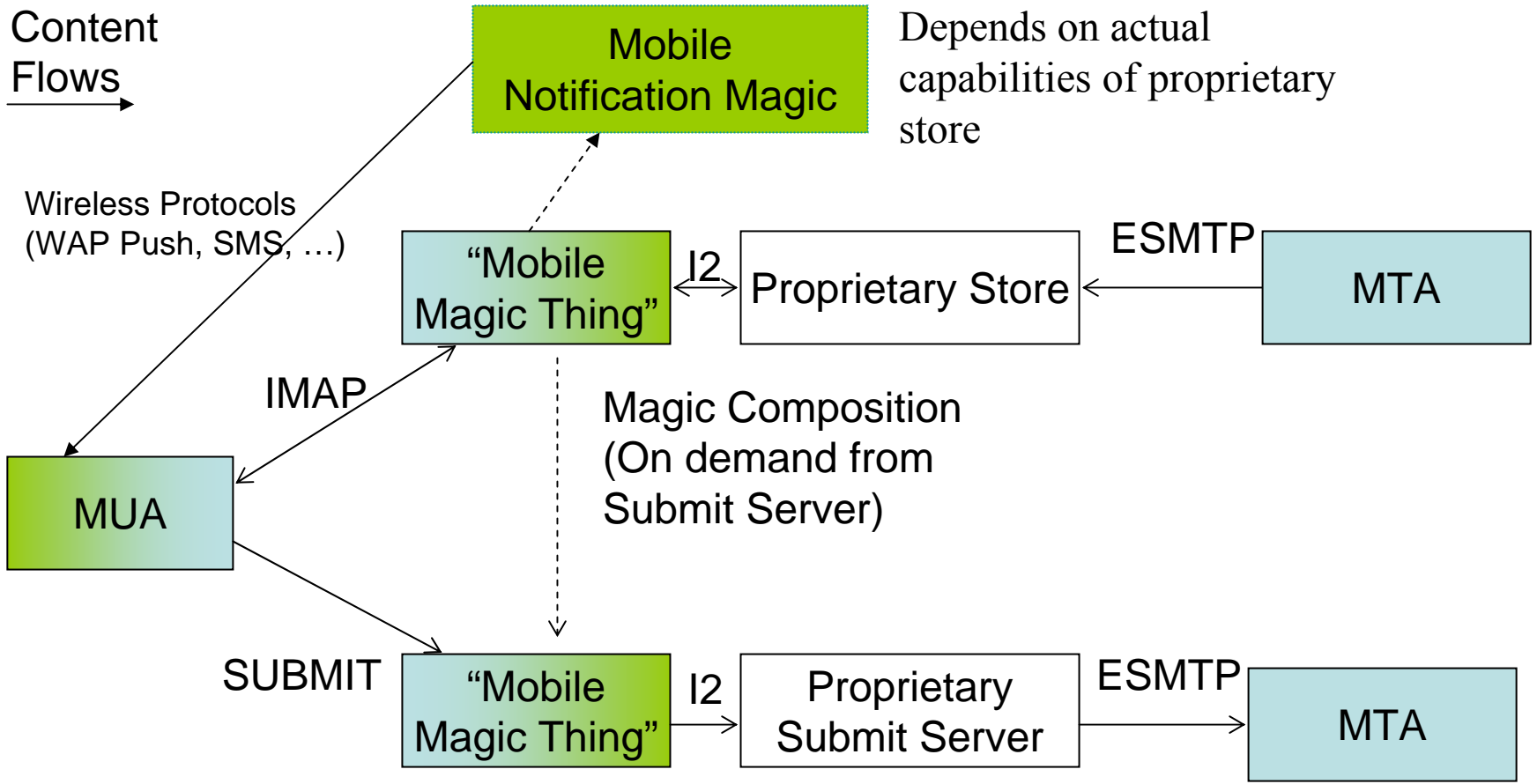
# OMA Mobile Email (MEM) Logical Architecture Model



# IETF LEMONADE Model



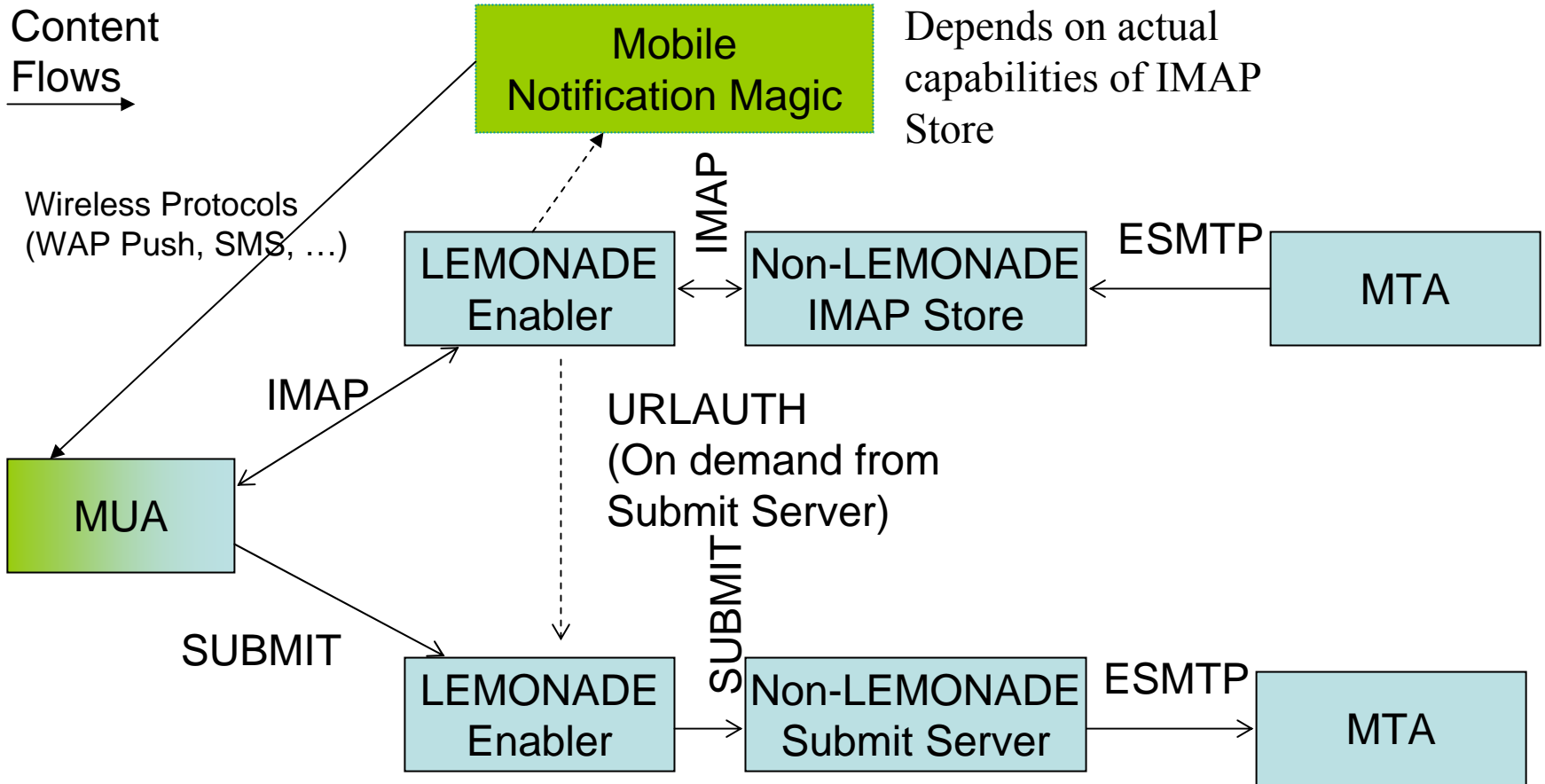
# Implementation Choice: Proprietary World With Standard Clients



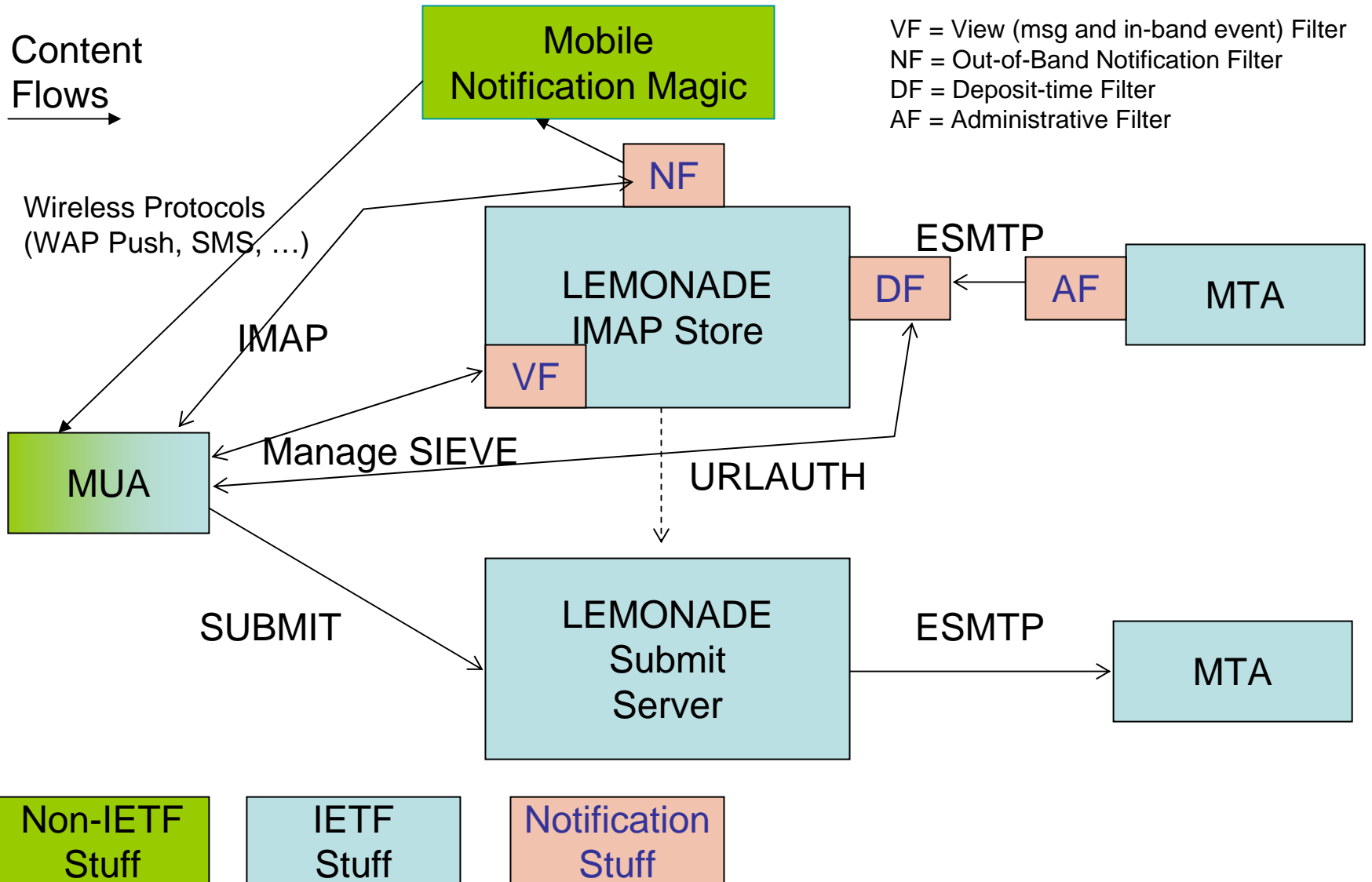
Non-IETF Stuff

IETF Stuff

# Implementation Choice: IETF World



# IETF LEMONADE Notifications





# Profile MUST implement

## IMAP

- STARTTLS
- CATENATE
- URLAUTH
- BURL
- UIDPLUS
- POSTADDRESS
- LITERAL+
- CONDSTORE
- IDLE

## ESMTP

- AUTH
- PIPELINING
- 8BITMIME
- CHUNKING
- BINARYMIME
- DSN
- SIZE
- ENHANCEDSTATUSCODES

# Forward without download

## “The Pull Trio”

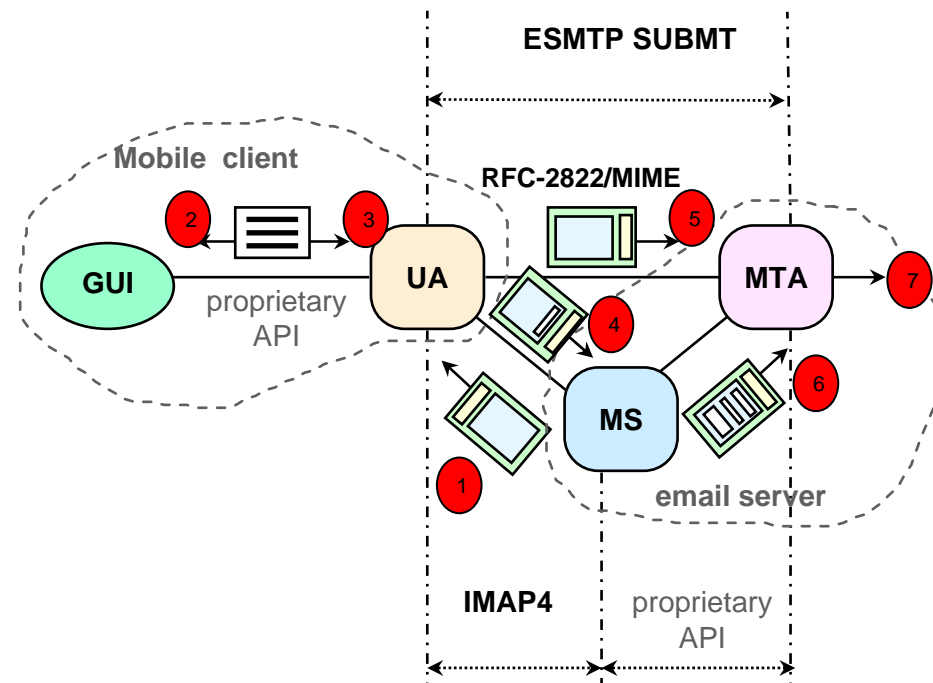
draft-ietf-lemonade-catenate

draft-ietf-lemonade-burl

draft-ietf-lemonade-urlauth

- SMTP Submit w/ Object Retrieval

1. Message headers requested and sent to UA
2. Message header delivered to GUI
3. New message created with reference to message received in 2. Sent to UA
4. Message with references sent to MS via IMAP, compiled message stored. Key created.
5. Message with reference to include message in 4 sent to MTA via SMTP
6. MTA requests MS for referenced message with key.
7. MTA sends message via SMTP



# Phase bis - MUST implement

## Consensus on details

- ✓ All of Profile
- ✓ Notifications
- Content Transformation
  - ✓ Static
- ✓ Filters (e.g., SIEVE)
- ✓ Filter management
- ✓ Reconnect
- BINARY APPEND
- Allow Partial URLs

## Details near completion

- Compression
  - TLS codec is gzip
  - Compress
- Content Transformation
  - Streaming
- Firewall traversal
- Proxies
- Object encryption
- Notification encryption

# Notifications

- Server to client

# Filters

- VFOLDER
- SIEVE
- Manage SIEVE

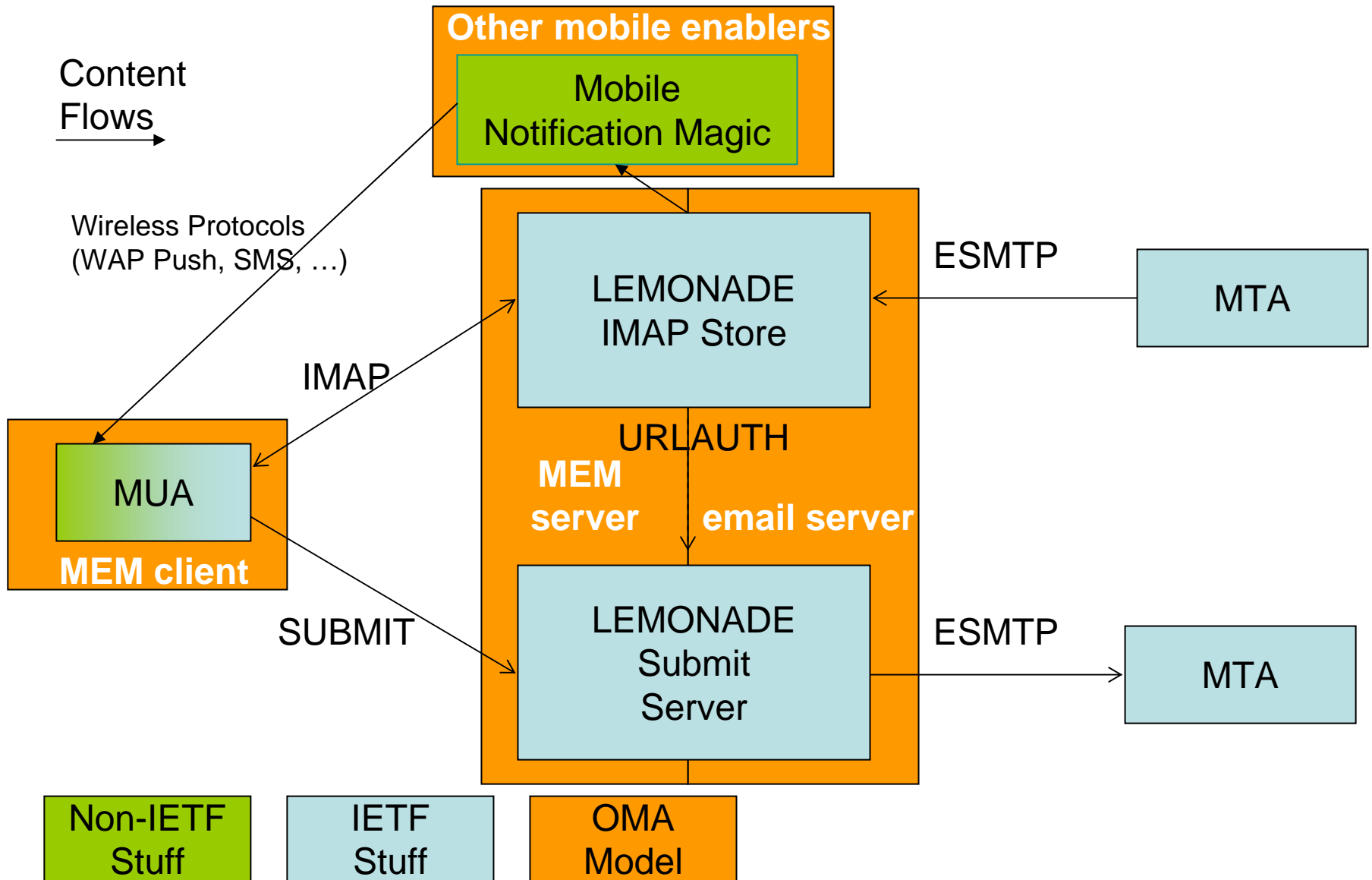
# Partial messages

- IMAPURL

# Timeframe

- Goals – RFC 4416
  - Published Feb 2006
- Profile – RFC xxxx
  - RFC Editor Queue
  - Publication April 2006
- Final Review of Profile-bis
  - May 2006
- Publication of Profile-bis
  - September 2006

# Realization of OMA model





# References

- Working Group Page

<http://www.ietf.org/html.charters/lemonade-charter.html>

- Mail List:

- General Discussion: [lemonade@ietf.org](mailto:lemonade@ietf.org)
- To Subscribe: [lemonade-request@ietf.org](mailto:lemonade-request@ietf.org)
- In Body: in body 'subscribe'
- Archive: <ftp://ftp.ietf.org/ietf-mail-archive/lemonade/>

- Supplemental Work Group Page

<http://flyingfox.cantata.com/i-d/lemonade>