

IPFIX Mediation: Framework

draft-ietf-ipfix-mediators-framework-03

Atsushi Kobayashi (NTT)
Benoit Claise (Cisco Systems)
Keisuke Ishibashi (NTT)

Status

❖ Posted version -03

□ Changes from -02 to -03

- Feedback from problem statement WG Last Call.
- Feedback from received comments among co-authors.

❖ There is still one open issue.

Feedback from PS WG Last Call

- ❖ Terminologies section
- ❖ All descriptions are aligned with Intermediate Process.
- ❖ Described different specific Intermediate Processes.
 - ❑ Intermediate Selection Process
 - ❑ Intermediate Correlation Process
 - ❑ Intermediate Aggregation Process
 - ❑ Intermediate Anonymization Process

Feedback from received comments

❖ Which intermediate process types are hosted in specific IPFIX Mediator type?

➔ Added the following table.

Mediator Type	Number of hosted IPs	IP Type	Number of IPFIX Transport Sessions
Proxy	zero		incoming: zero(*) or one outgoing: one or more
Distributor	one or more	Selection	incoming: one or more outgoing: one or more
Concentrator	zero or more	Aggregation Correlation	incoming: one or more outgoing: one
Masquerading Proxy	one or more	Anonymization	incoming: one or more outgoing: one

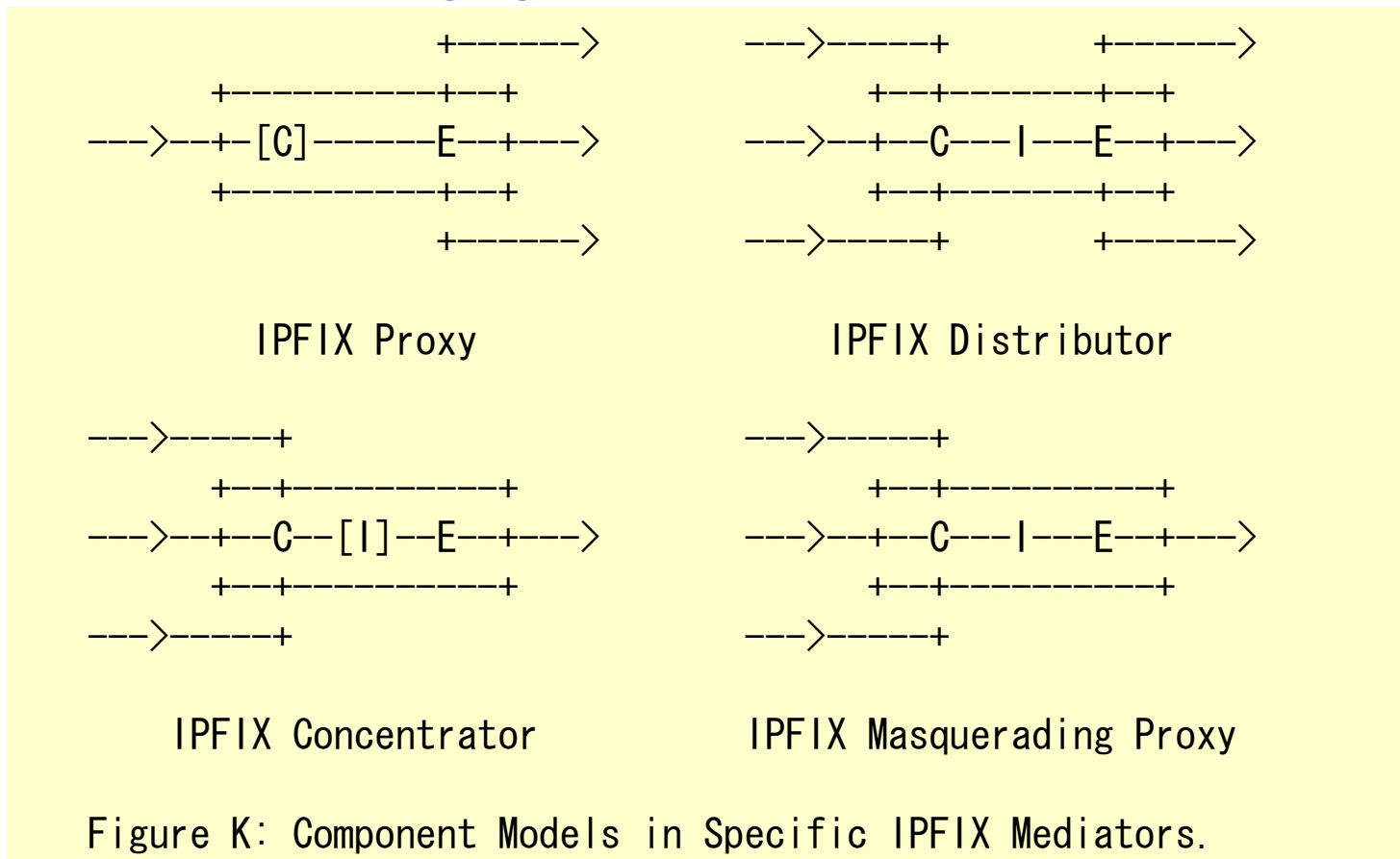
(*) When an IPFIX Proxy converts IPFIX from other protocols.

➔ Regarding an IPFIX Proxy and Concentrator, the table need to be rewritten based on problem statement slide.

Feedback from received comments

- ❖ Clarify the number of incoming/outgoing sessions in each IPFIX Mediator type.

➔ Added the following figure.



Feedback from received comments

❖ What consideration points are when encoding IPFIX Header?

→ Added the following description in section 7.

❑ Export time

- Case 1: keeping the field value of incoming Transport Sessions
- Case 2: setting the time at which an IPFIX Message leaves the IPFIX Mediator
- In case 2, the IPFIX Mediator needs to handle any delta time stamp fields

❑ Sequence Number

- IPFIX Proxy needs to handle the Sequence Number value when the incoming Transport Session shuts down and starts.

❑ Observation Domain ID

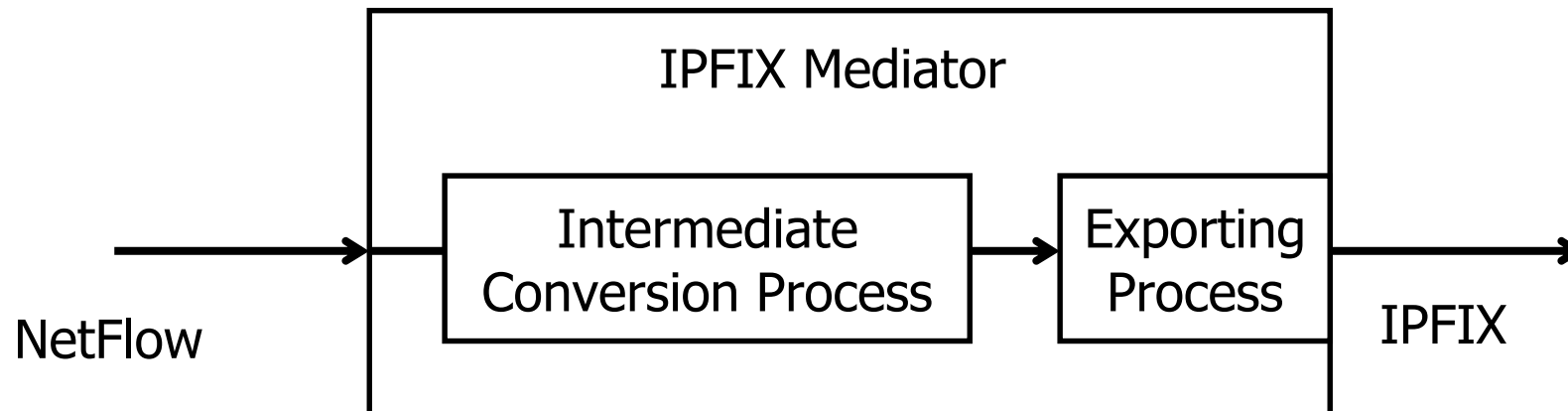
- When relaying an IPFIX Message after replacing each incoming ODID with a new value, and using incoming ODIDs as the scope fields, it needs to set the appropriate scope fields in Data Records defined in Options Template Records.

Resolved issue in -03

- ❖ How to inform observation information, when aggregating Data Records.
 - RFC5101 mentions that ODID should be 0 when aggregation.
- ➔ Added the following description in section 7.
 - In that case, an IPFIX Concentrator can add new field to Flow Record. The new Information Element indicates observation information instead of ODID.

Open issue

- ❖ In case of NetFlow to IPFIX, what function is needed?
 - ❑ Gerhard proposed that an “Intermediate Conversion Process” converts information element ID and option template structure.
 - ➔ Maybe yes. But, not yet described it.
 - ➔ However, particular assumption (NetFlow) on how traffic records are transferred to IPFIX Mediator is allowed?
 - ➔ The description needs to be generalized, NetFlow is as one of examples. Is it right?



Next Step

- ❖ Need to rewrite it based on feedback from problem statement, today discussion and resolve open issue.
- ❖ After them, it is ready for WG last call.