



# Mobile IPv4 DHCP Configuration Extension

Kent Leung, George Tsirtsis

MIP4 Working Group – IETF 75

Stockholm, Sweden

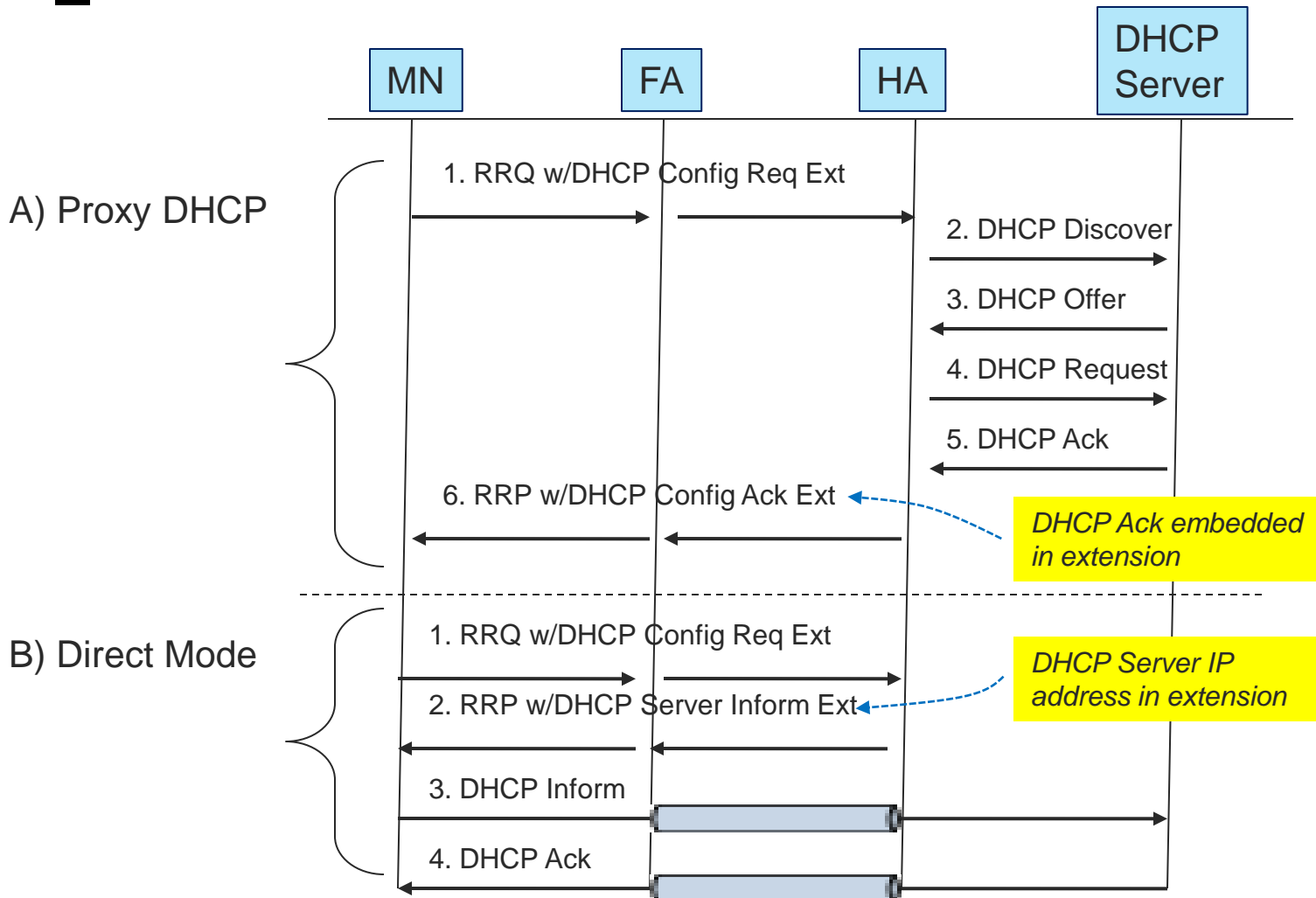
July 27, 2009

# [ Overview ]

---

- MN obtains host configuration via DHCP options with Mobile IP assistance
- Configuration parameters from home domain only
- MN has DHCP client function or capable of processing DHCP Ack message
- VPN domain (VRF) consideration for DHCP server location

# Call Flows



# [ Extensions ]

---

- DHCP Configuration Request Ext
- DHCP Configuration Ack Ext
- DHCP Server Inform Ext