

SIPREC

Recording Metadata

(draft-ietf-siprec-metadata-06)

March 30th 2012

IETF 83 meeting

Authors: Ram Mohan R, R Parthasarathi, Paul Kyzivat

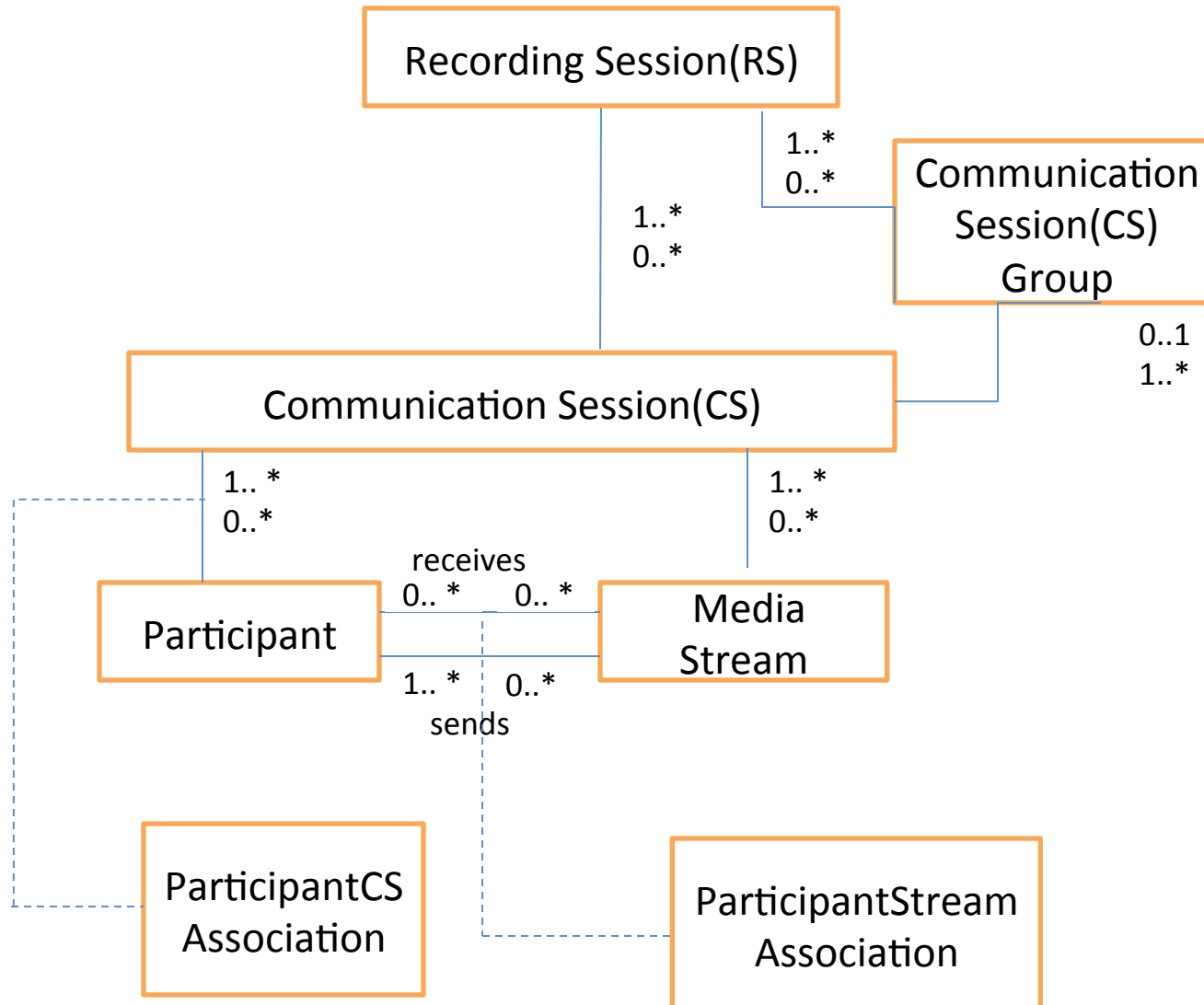
Agenda

- Changes in draft-ietf-siprec-metadata-05 from last version.
- Discuss Open & closed items in Metadata model
- Next Steps

Changes from Previous version

- The new version of draft has following changes:
 - The association between participant and CS is changed as 0..* from 2..*
 - Associate-time and disassociate-time attributes in CS are moved to ParticipantCSAssociation
 - CSRSassociation metadata element creation to indicate the attributes related to CS and RS.
 - participantsessionassoc XML element is added to represent participant and session associated XML elements.
 - Removed "csrc" element in Metadata XML schema
 - ParticipantStreamAssoc XML element is introduced for association between participant and stream XML element.

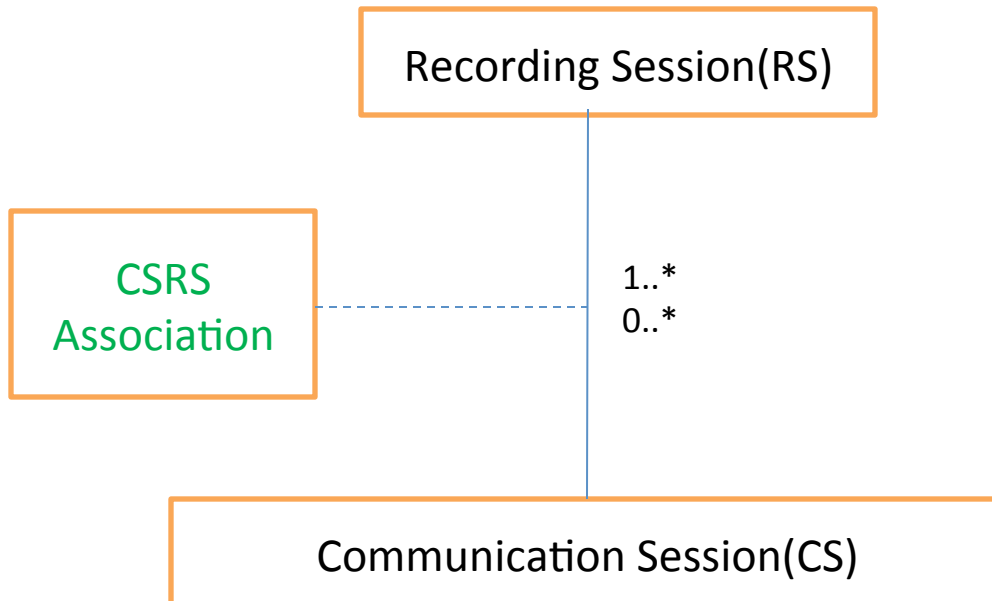
Metadata Model in ver 05



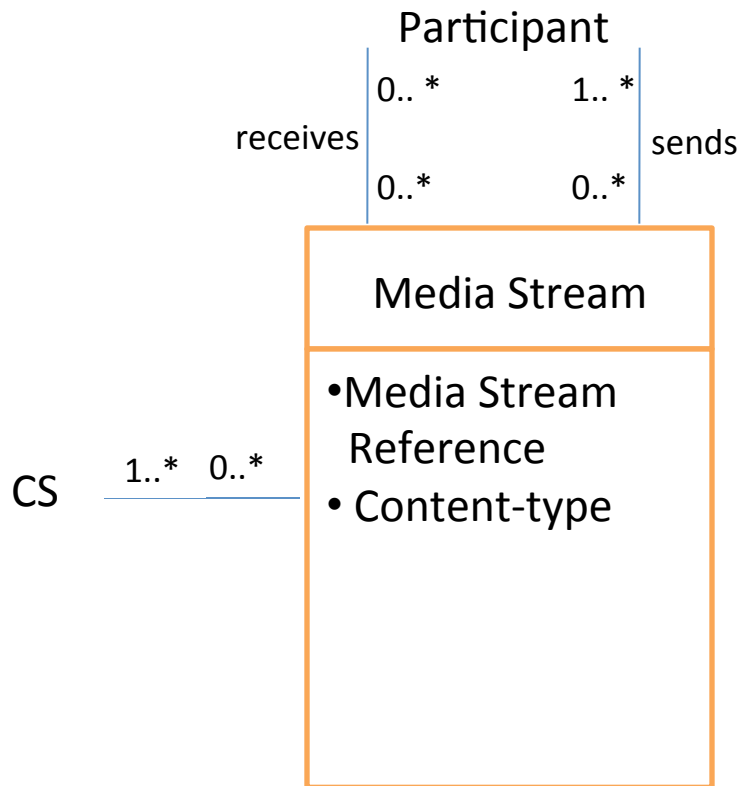
Metadata Model: CSRS association

Closed Items:

- Adding CSRS association in the model figure.



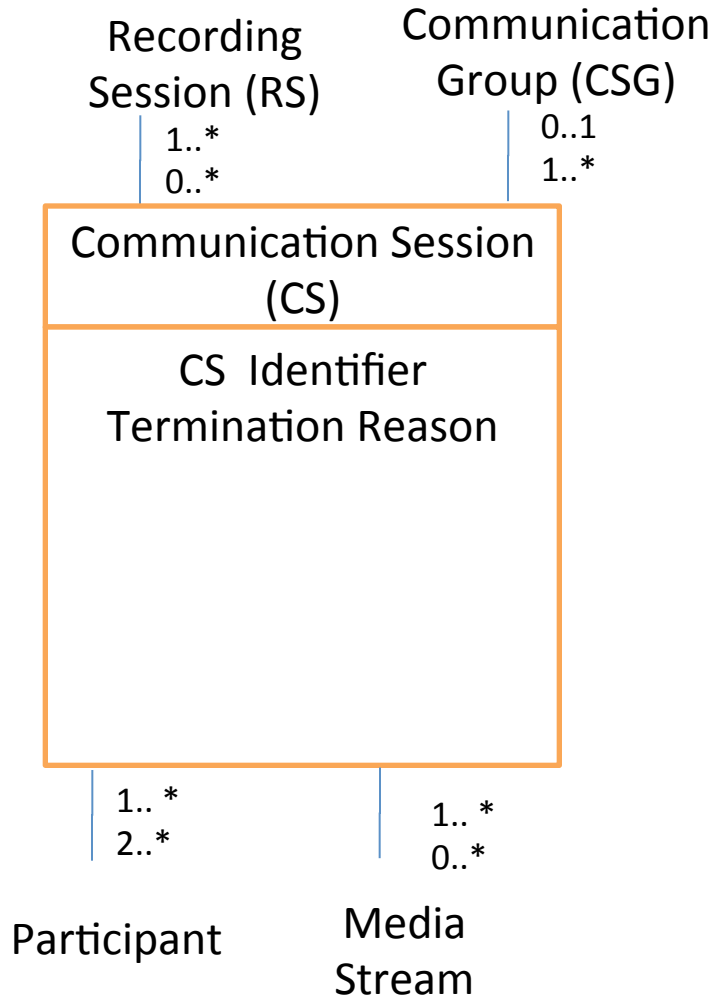
Metadata Model: Media Stream



Closed Items:

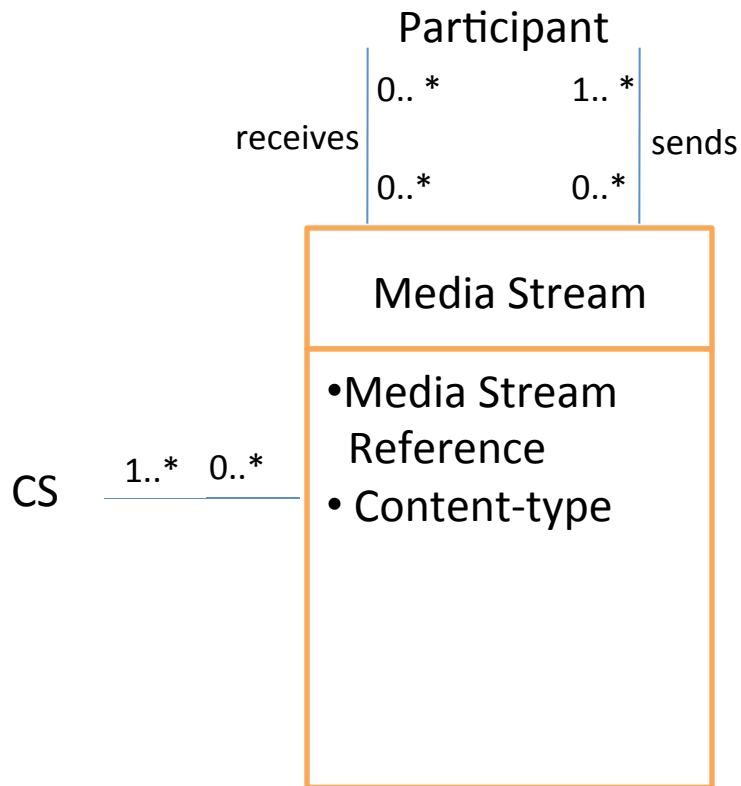
- Remove media mode attribute related text in sec 6.7.3 as per the earlier consensus

Metadata Model Open item: Communication Session



- Current draft has associate/disassociate time
 - Associate-time – The optional attribute represents the time a CS is associated with a RS
 - Disassociate-time- This optional attributes represents the time a CS disassociates from a RS.
- There was a comment to include start/Stop time also. Is it needed ?

Metadata Model: Media Stream



Open Items: (BT usecase)

- Media stream shall associate with multiple CS and it shall be mixed stream. But participant who is contributing at the specific time has to be identified by RTP/RTCP mechanism.

Next steps

- Update draft based on the current closure
- Add more metadata examples
- Publish next version (07) and ask for WGLC