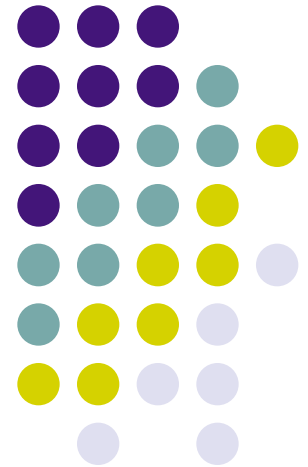


Mobility Management Protocols for Cloud-Like Architectures

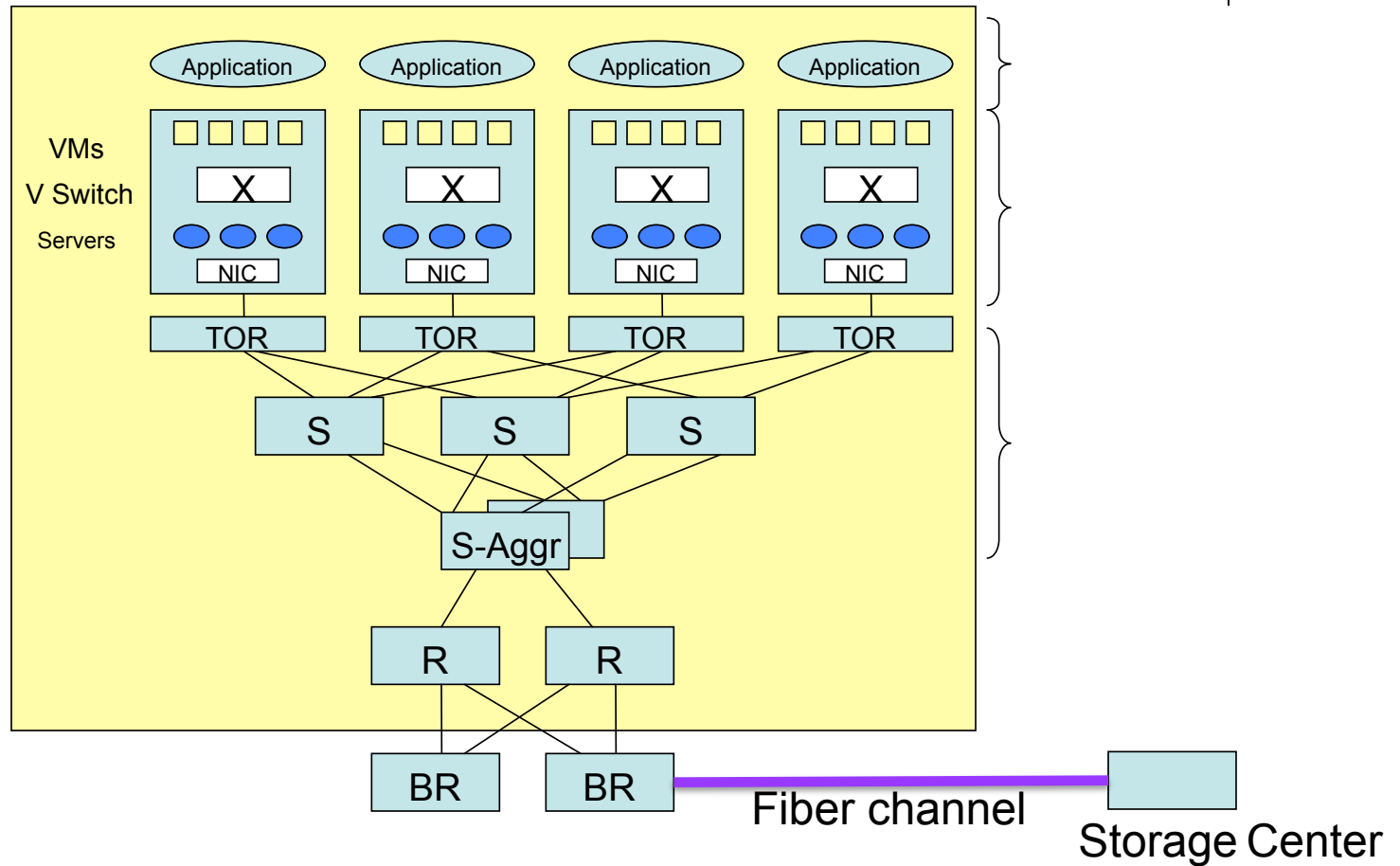
Behcet Sarikaya(sarikaya@ieee.org)

IETF 85



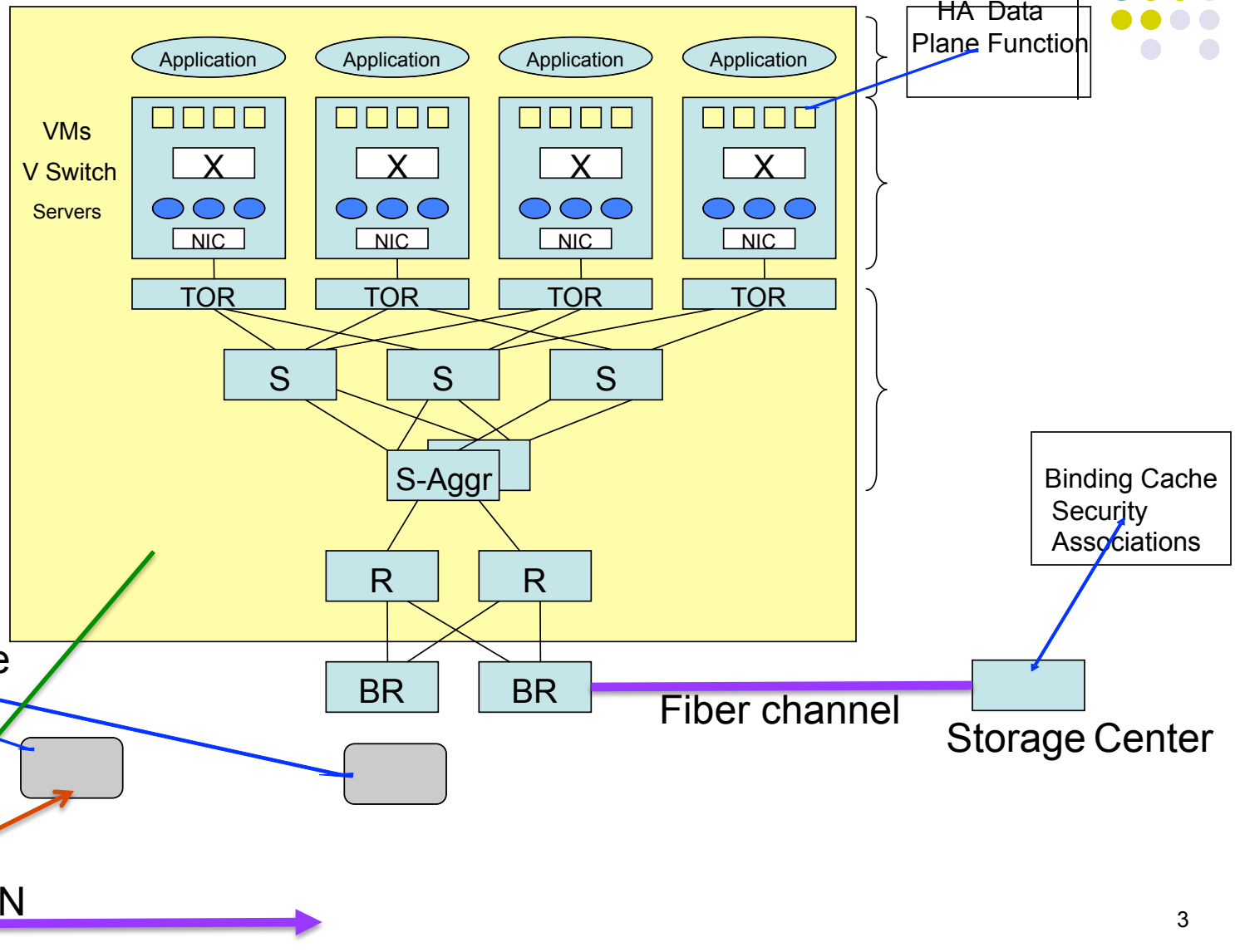
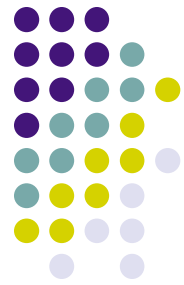
draft-sarikaya-dmm-cloud-mm-00.txt

Cloud Network Architecture

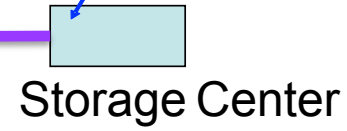
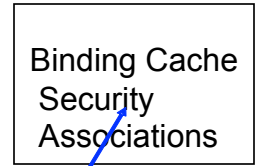
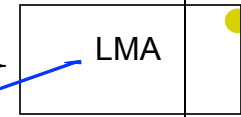
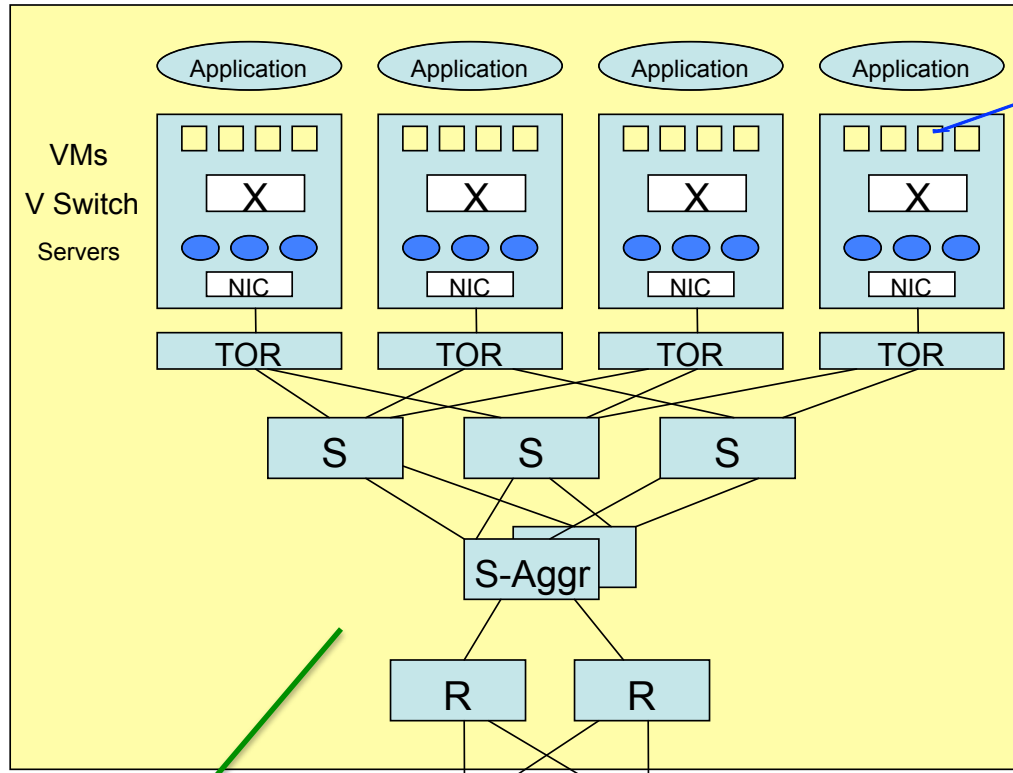
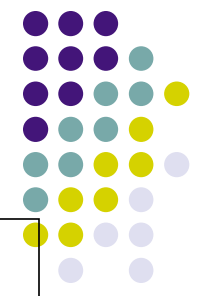


MN

MIPv6 for Cloud



PMIPv6 for Cloud



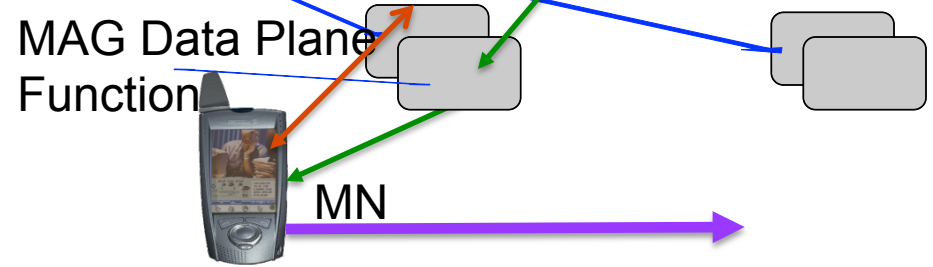
MAG Control Plane Function

MAG Data Plane Function

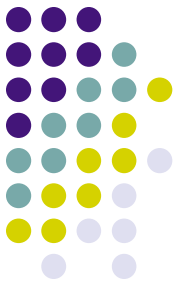


MN

Fiber channel



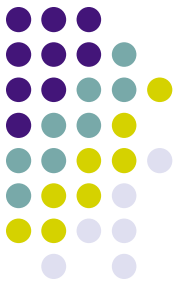
What can we say?



- **MIPv6 Cloud MM requires more changes**
 - Divide HA operation into Control Plane and Data Plane
 - Distribute Control plane HA

- **PMIPv6 Cloud MM requires less changes**
 - Divide MAG operation into Control Plane and Data Plane
 - Distribute MAG

Next Steps



- It seem like there is a lot more to do.
- Questions?