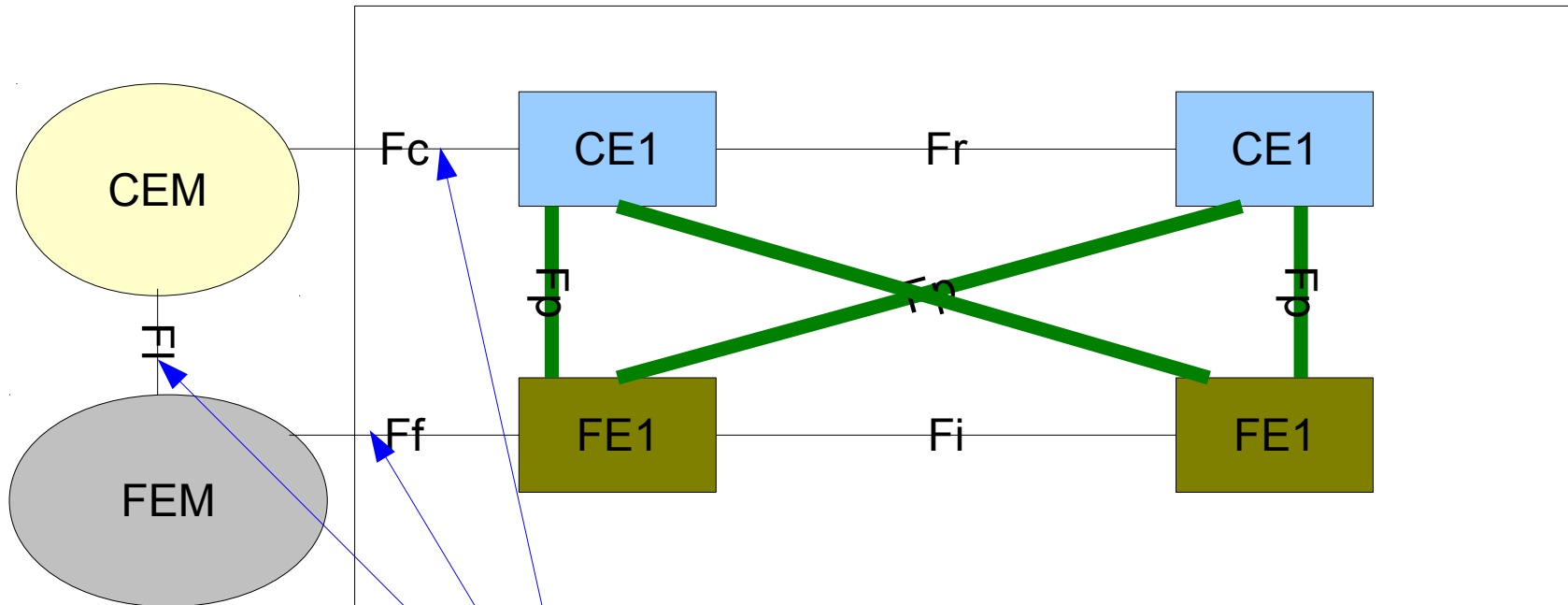


XEM Interface

Forwarding and Control Element Separation
(IETF85 Atlanta, GA, USA 2012)

Chair: Jamal Hadi Salim <hadi@mojatatu.com>

ForCES Architecture

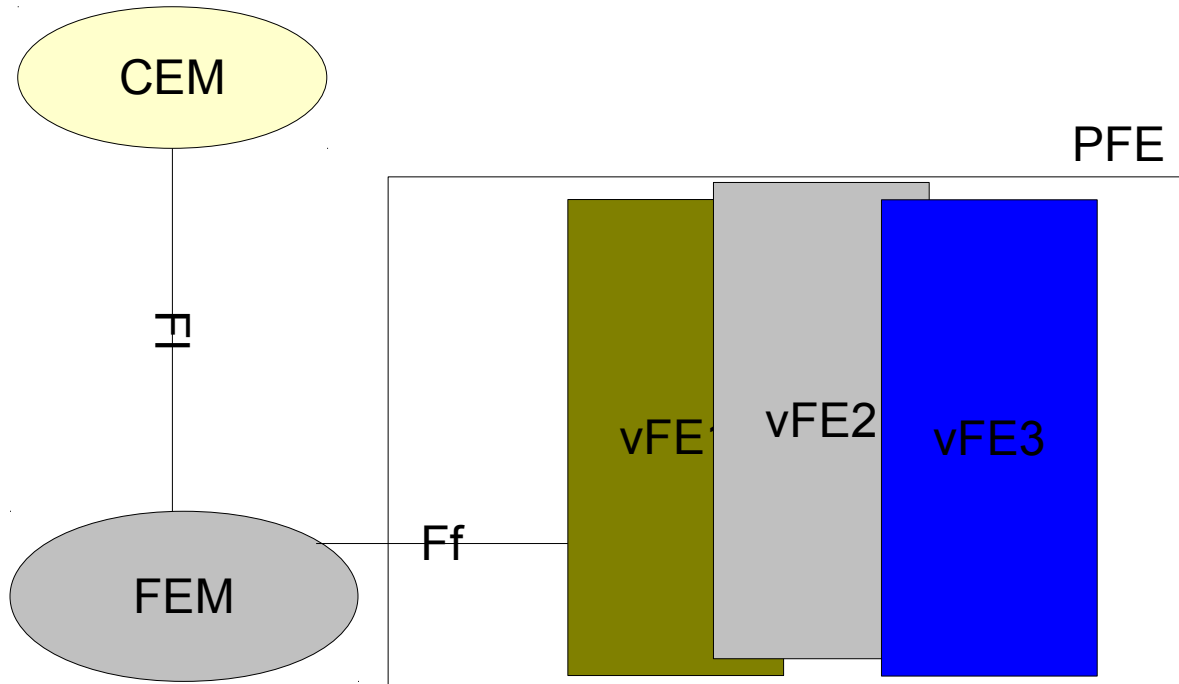


• F_c , F_i , F_f

Why it is needed

- Implementation experience has shown this to be useful
 - No need to maintain two protocols one for config and other for control
 - Refer to my FEM presentation

One Use Case: Single NE



- In our setup, we send config message:
 - to boot and shutdown VFEs
 - Supply config setup (which CEs to connect to etc)

Changes

- Wanna be able to “associate” the PFE without a vFE in existence
 - May require reserving a CEID/FEID
- Wanna be able to standardize a basic FE and CE config