

85<sup>th</sup> IETF, November 2012, Atlanta, U.S

# Network Mobility Support using Mobile MAG in Proxy Mobile IPv6 Domain

draft-sijeon-netext-mmag-pmip-00.txt

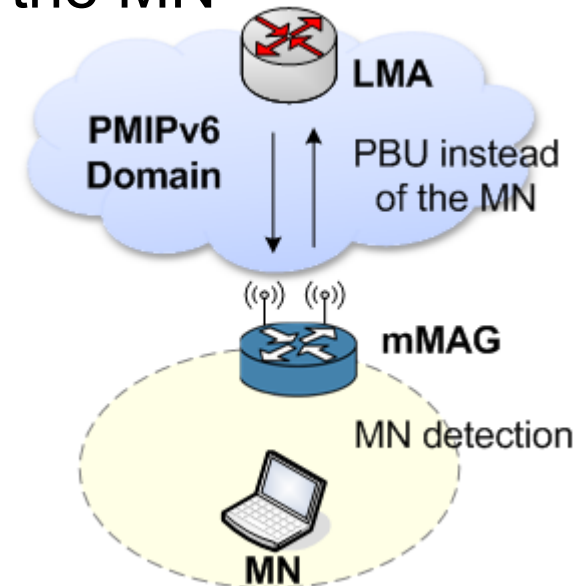
Seil Jeon (Presenter), Behcet Sarikaya, Rui L. Aguiar

# Goals and Scope

- Goals
  - Present network mobility support method over Proxy Mobile IP domain
  - Not using DHCP but using stateless IP address configuration on mobile network
- Scope
  - Network mobility between MAGs
  - Node mobility between mobile network and fixed PMIPv6 domain

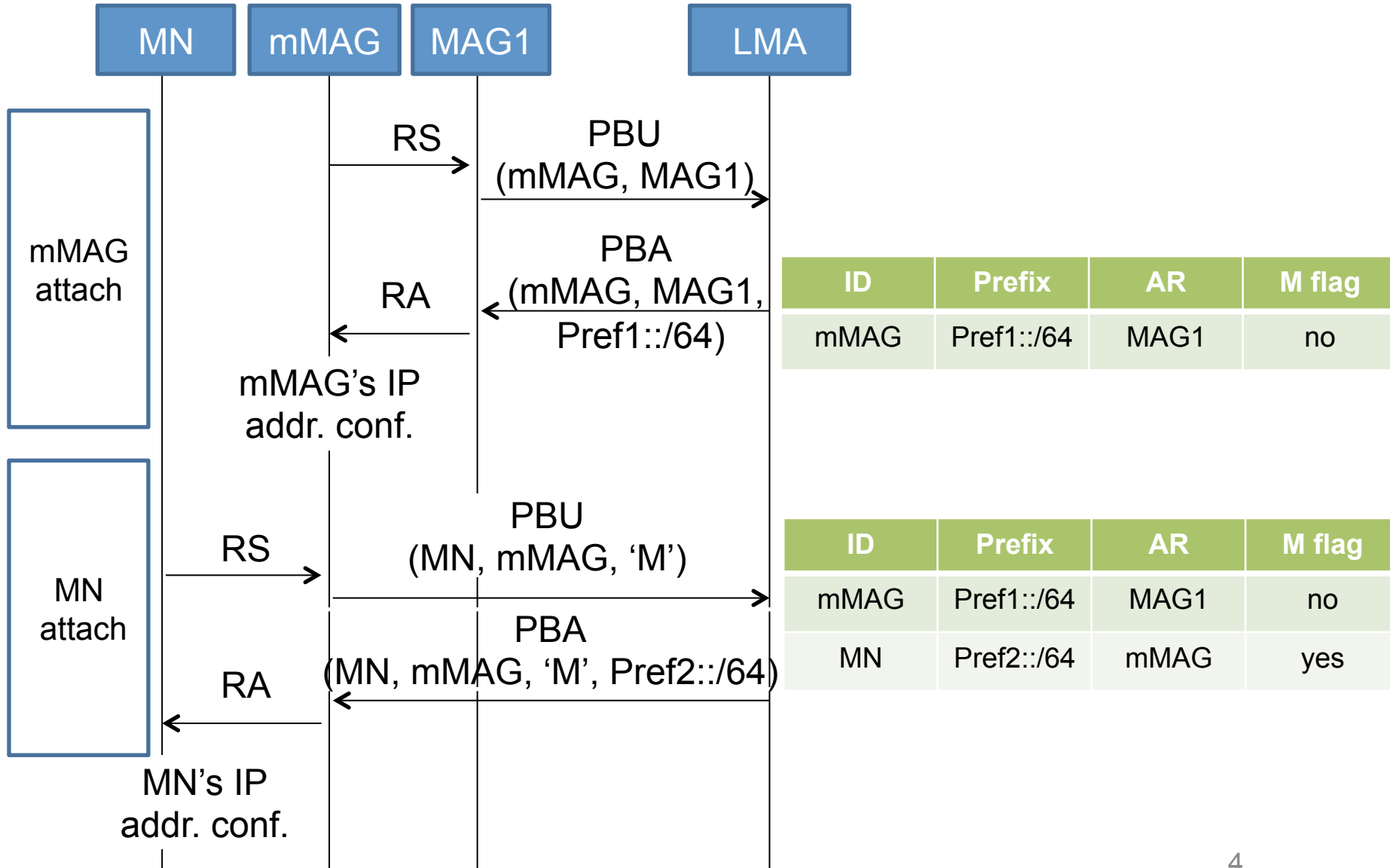
# What are proposed?

- mobile MAG (mMAG)
  - Re-use of MAG function on plain mobile router
  - In charge of detecting MN's attachment and performing mobility update instead of the MN

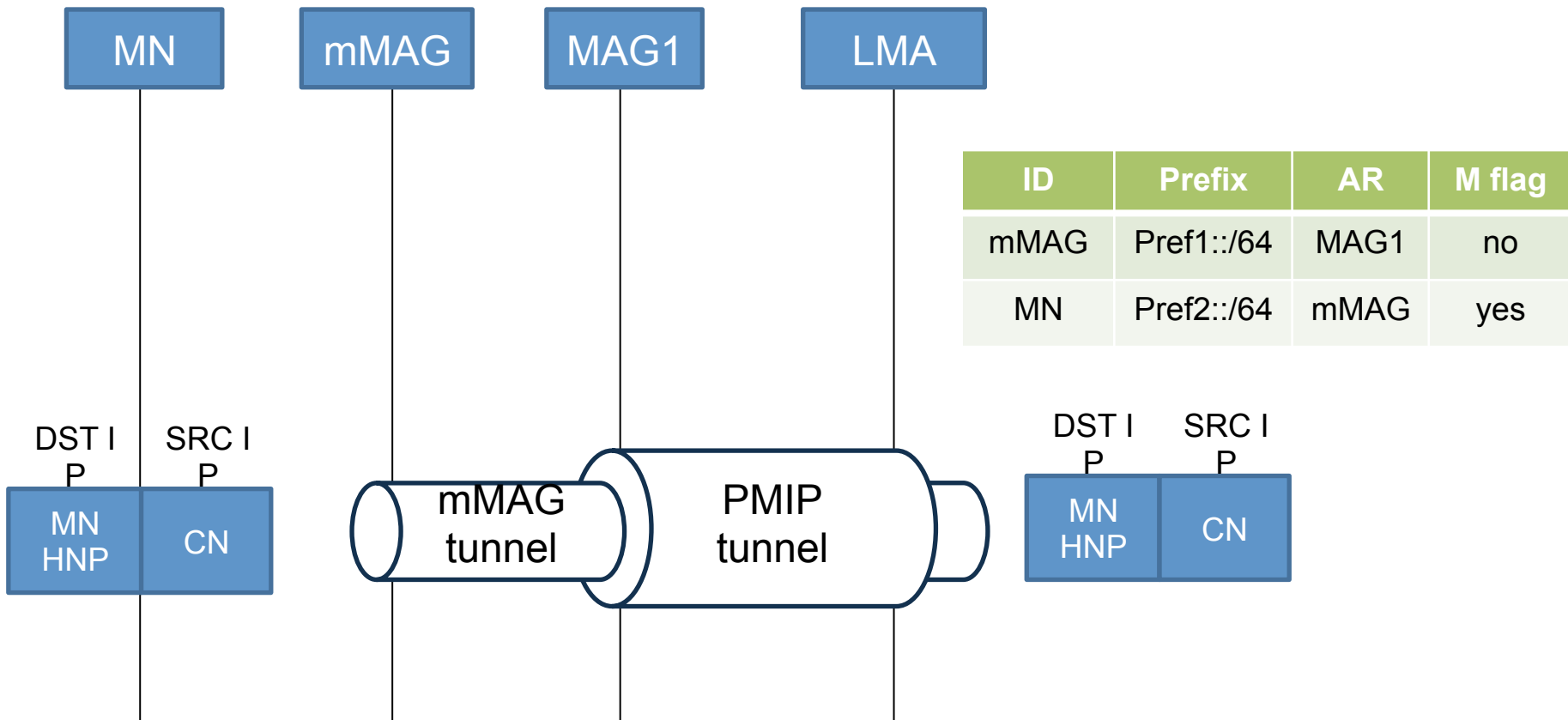


- mMAG is connected with
  - 'single' LMA through attached MAG
  - while a MAG can be connected to multiple LMA depending on associated LMA of each MN

# mMAG and MN Attachment



# Packet Delivery

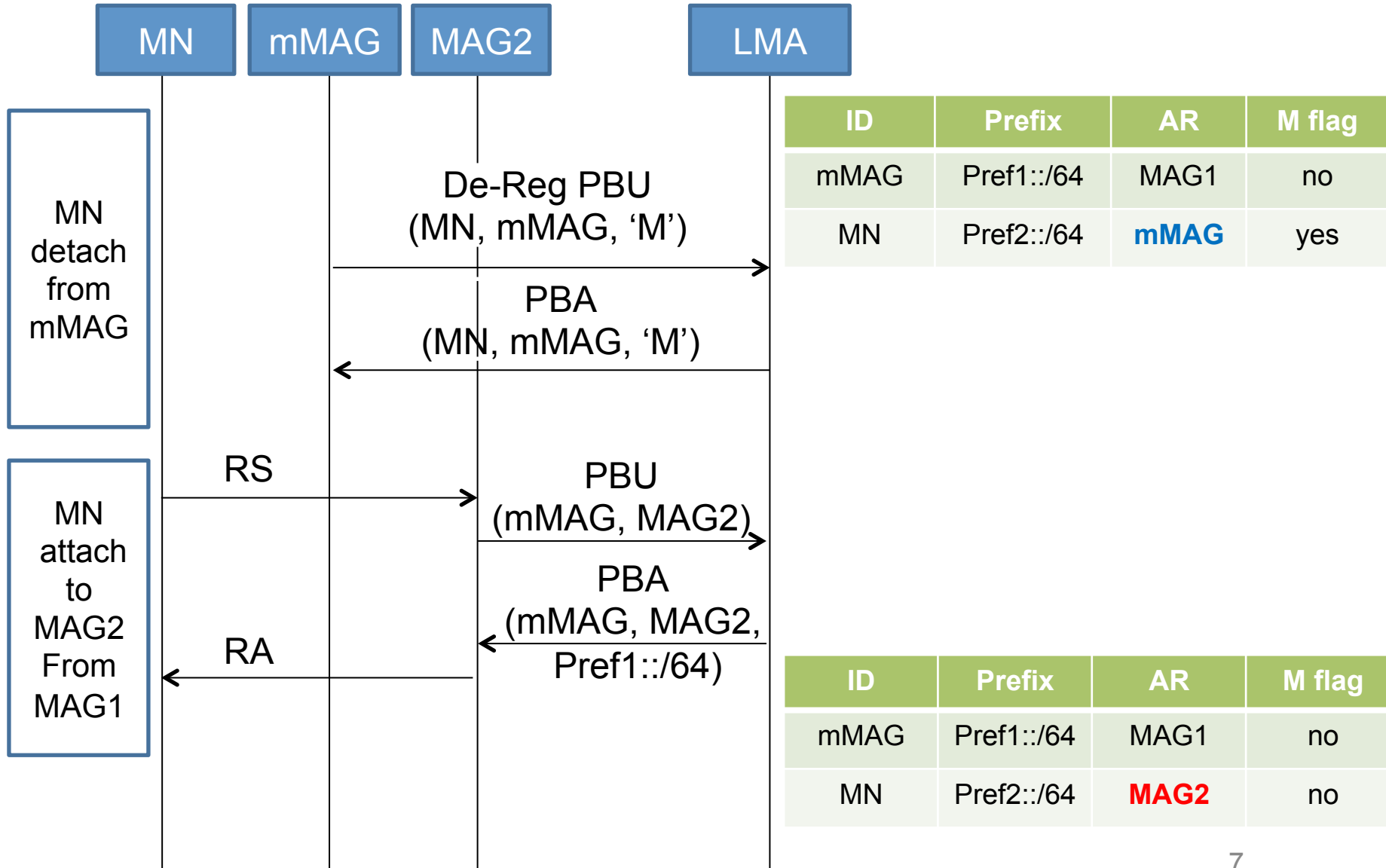


# mMAG's handoff

- MAG see the mMAG as a MN so the PMIPv6 handoff process specified in RFC 5213 is performed
- When the mMAG moves to MAG3 from MAG1, only mMAG's entry will be updated

ID	Prefix	AR	M flag
mMAG	Pref1::/64	<b>MAG3</b>	no
MN1	Pref2::/64	mMAG	yes
MN2	Pref3::/64	mMAG	yes

# Node handoff (MN's moving)



# What are extended?

- MN, MAG
  - No extensions for both
  - MAG is transparent for NEMO support
- LMA
  - ‘M’ flag in BCE
    - Used to distinguish whether the MN belongs to mobile network or not
    - Also used in PBU/PBA signaling with mMAG
  - Double-lookup processing in the LMA for the packets destined to the MN within mobile network



# Next Step

- Consideration to be a working group document