

# Framework for DC Network Virtualization

draft-ietf-nvo3-framework-01

# Authors

Marc Lasserre

Florin Balus

Thomas Morin

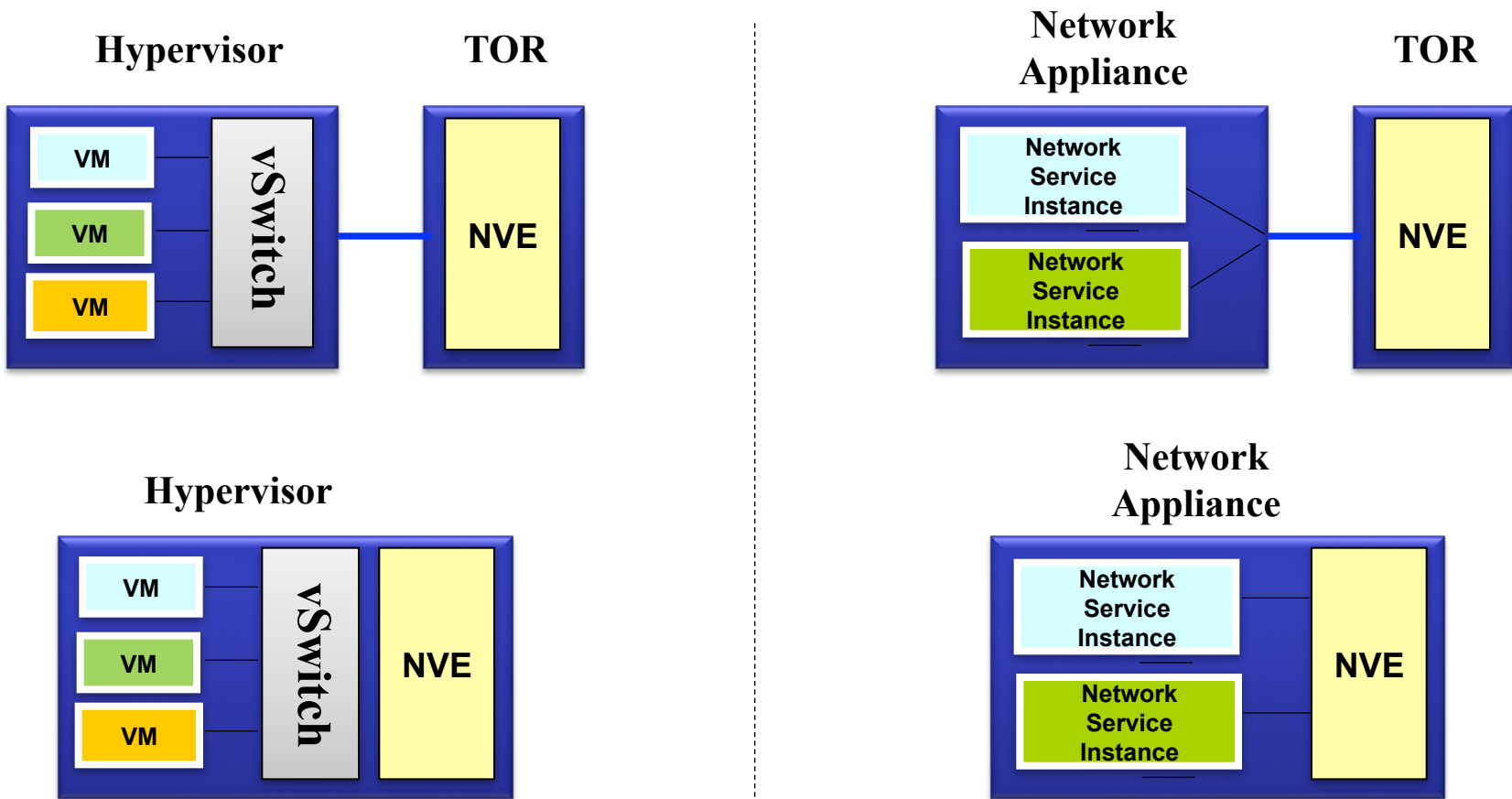
Nabil Bitar

Yakov Rekhter

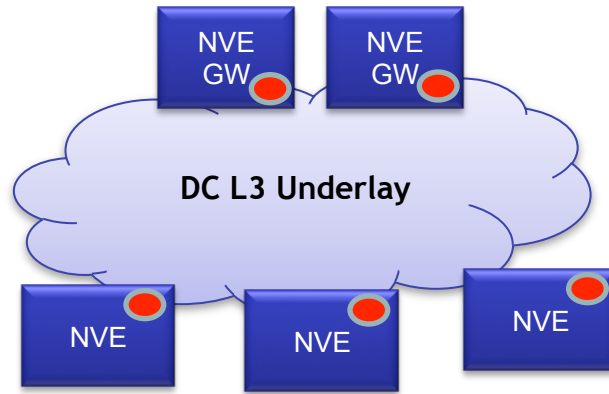
# Changes in -01


- Terminology clarification
  - Tenant, Tenant System, End device
- Add'l text about NVE location impact
  - Co-located with TS -> VM state communicated locally via API
  - Remote from TS -> VM state exchanged via DP/CP/MP
- New sections
  - Distributed vs Centralized CP (#3.1.5.1)
  - Multihoming (#3.2)
- Clarification wrt MAC learning
  - Via DP or CP
- Add'l text in security section

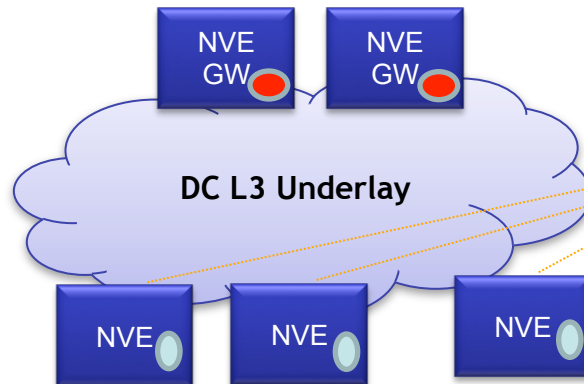
# External & Embedded NVE



# Distributed vs Centralized CP

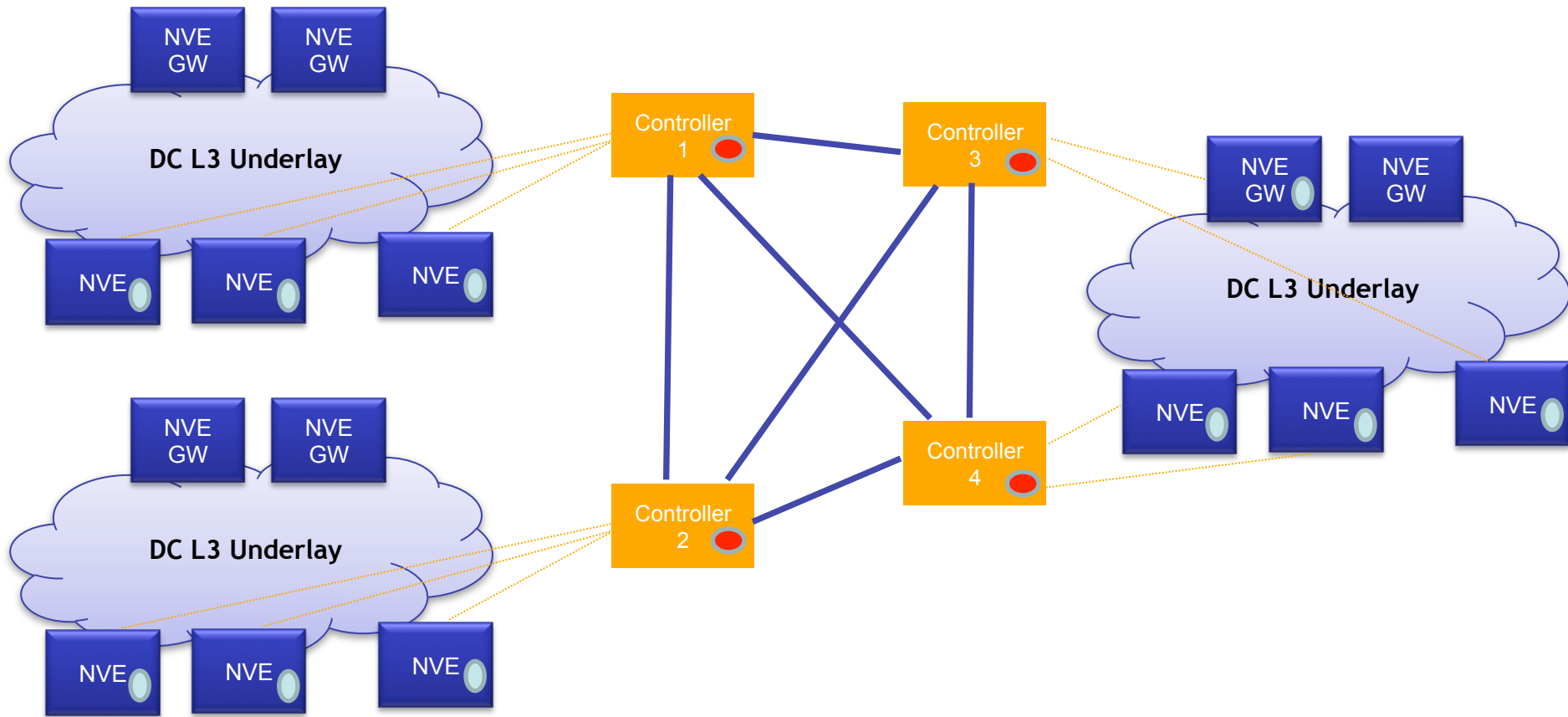


 Control plane protocols  
(e.g. routing)



 agent

# Multi-domain Controllers



# Next Steps

- Solicit feedback about new sections
- Solicit additional input on security comments
- Add text about NVE Gateway