

SIPREC

Recording callflow

(draft-ram-siprec-callflows-02)

November 8th 2012

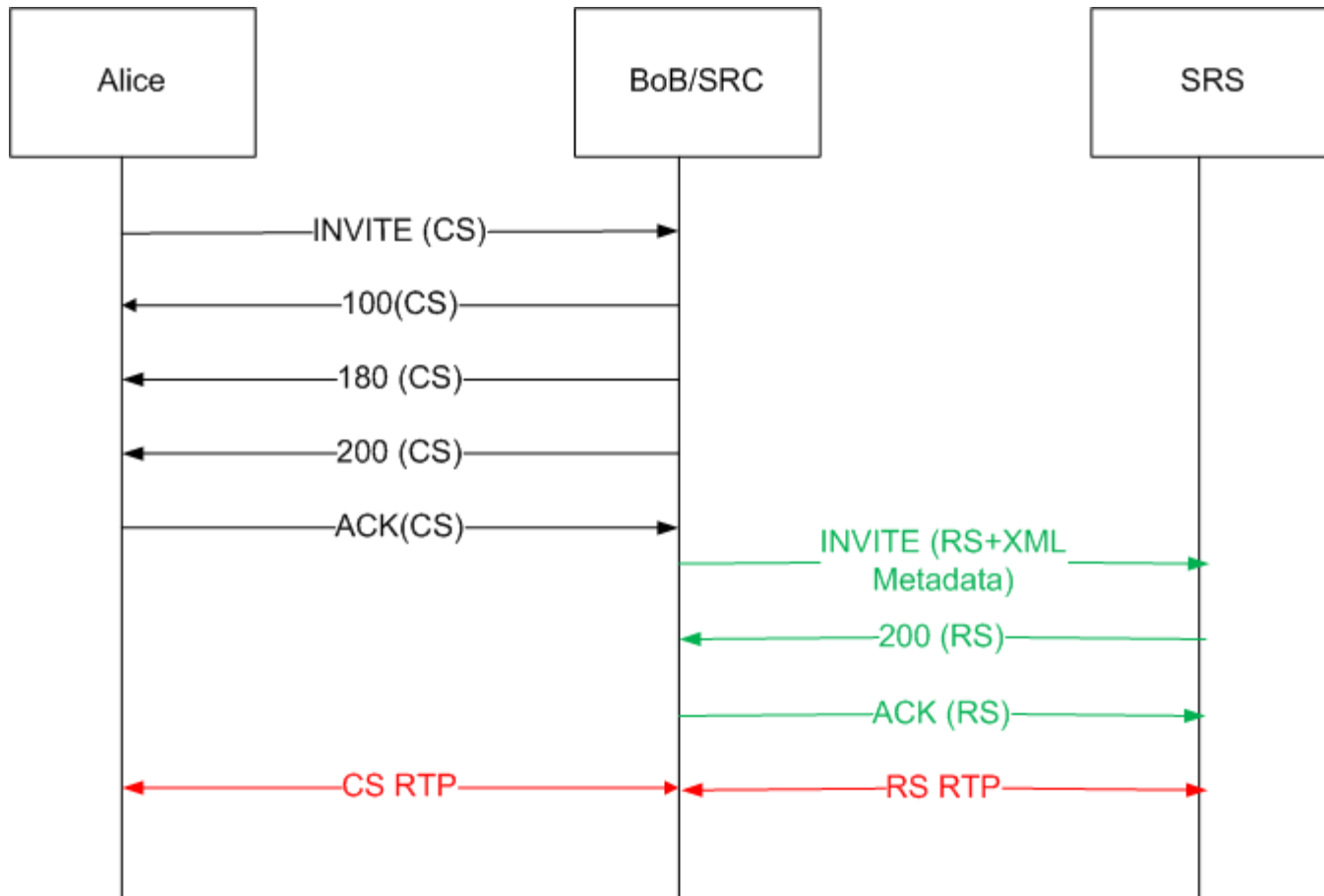
IETF 85 meeting

Authors: Ram Mohan R, R Parthasarathi, Paul Kyzivat

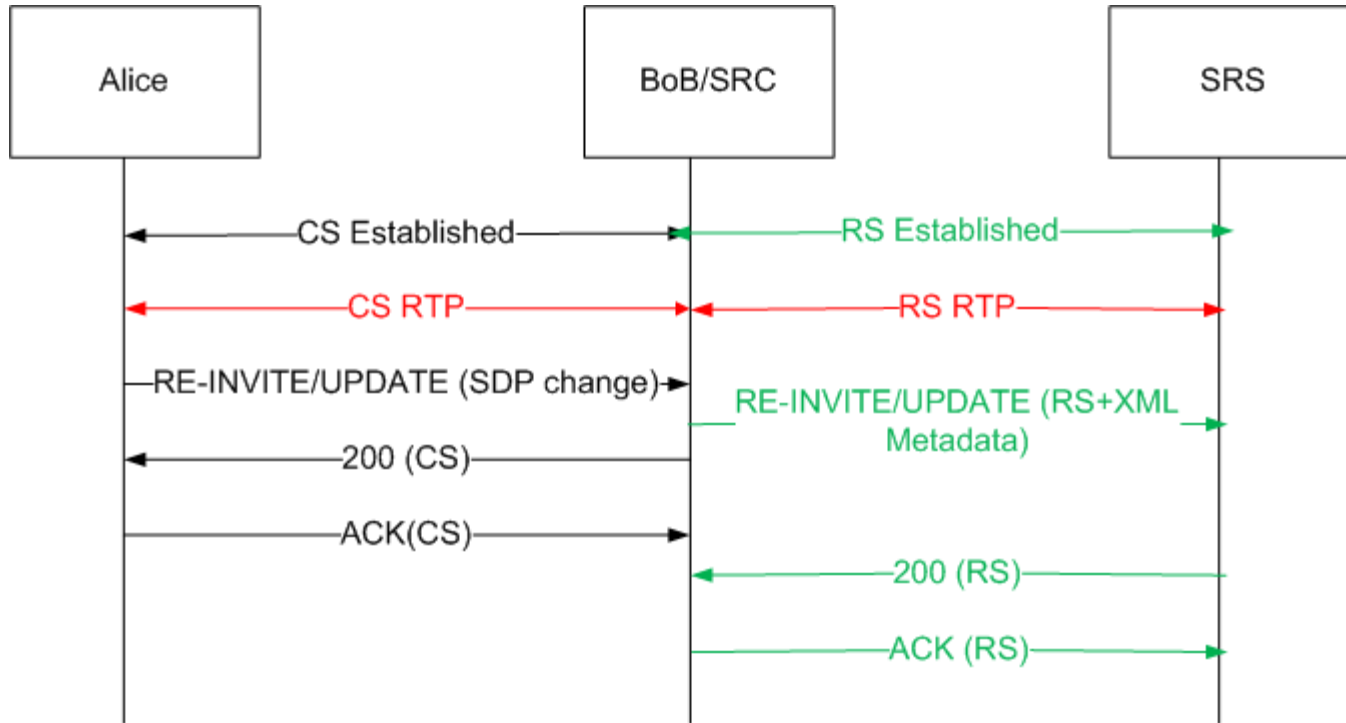
Agenda

- Callflows
- Issues
- Next Steps

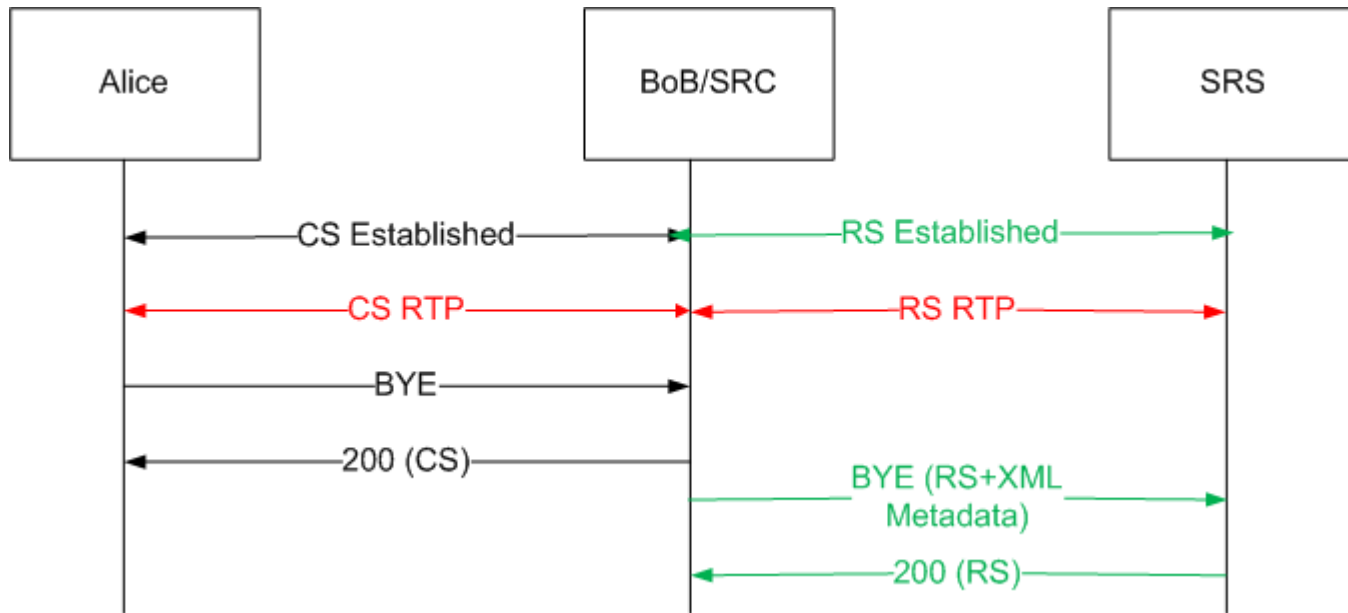
RS with unmixed stream callflow



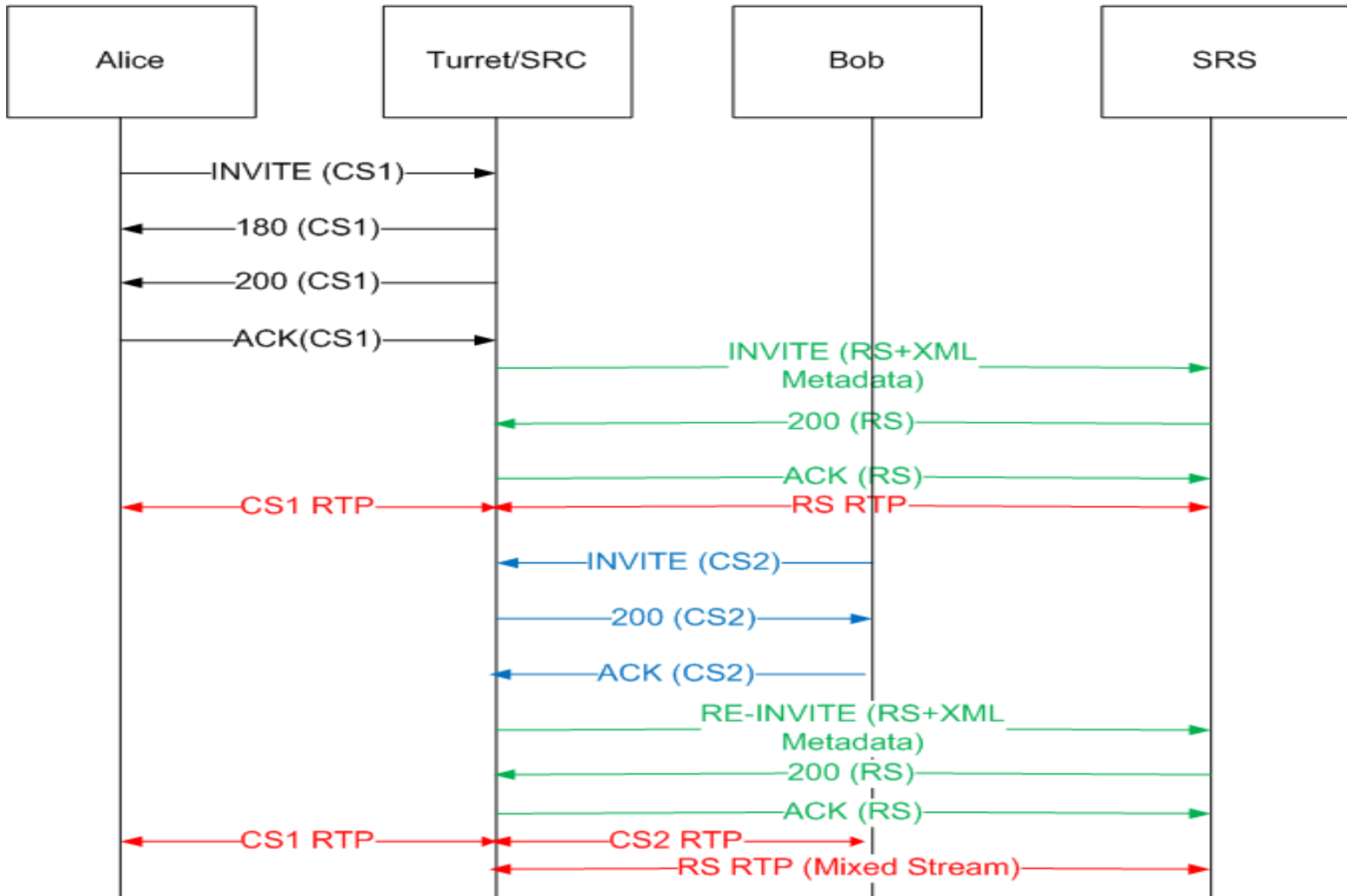
Mid-dialog RS update callflow



BYE RS callflow



Multiple CS- Single RS stream (Turret)



Open Issues

- Callflow needs only SDP + XML or SIP + SDP + XML ?
- Ofir callflow has to be added
- Add more Callflows?

Next steps

- Callflow as separate draft or Appendix of Metadata draft?
- Adopt this draft in case of separate milestone?
- Ask for more review