

# Mutually Exclusive Link Group (MELG)

draft-beeram-ccamp-melg-00.txt

Vishnu Pavan Beeram (Ed), John Drake, Gert Grammel  
[Juniper Networks]

Igor Bryskin (Ed), Wes Doonan  
[Adva Optical Networking]

Manuel Paul, Ruediger Kunze  
[Deutsche Telekom]

Friedrich Armbruster, Cyril Margaria  
[NSN]

Oscar González de Dios  
[Telefonica]

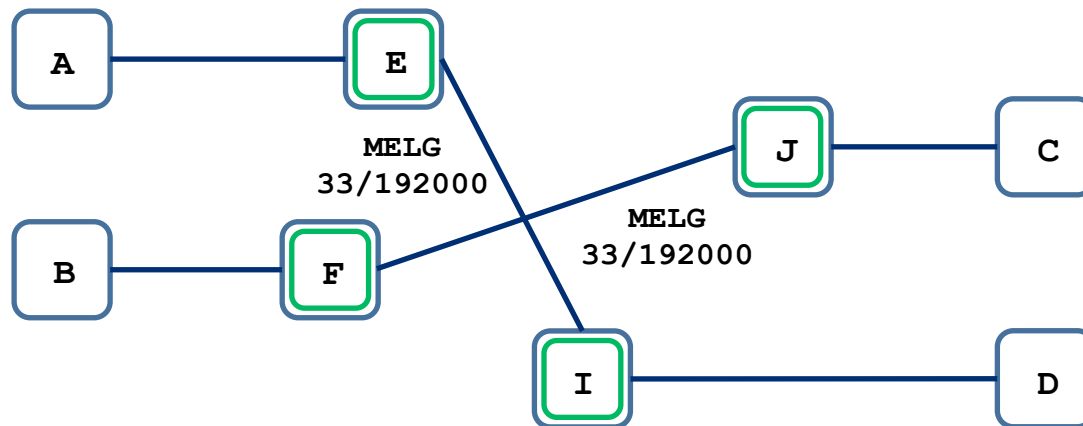
Daniele Ceccarelli  
[Ericsson]

# MELG

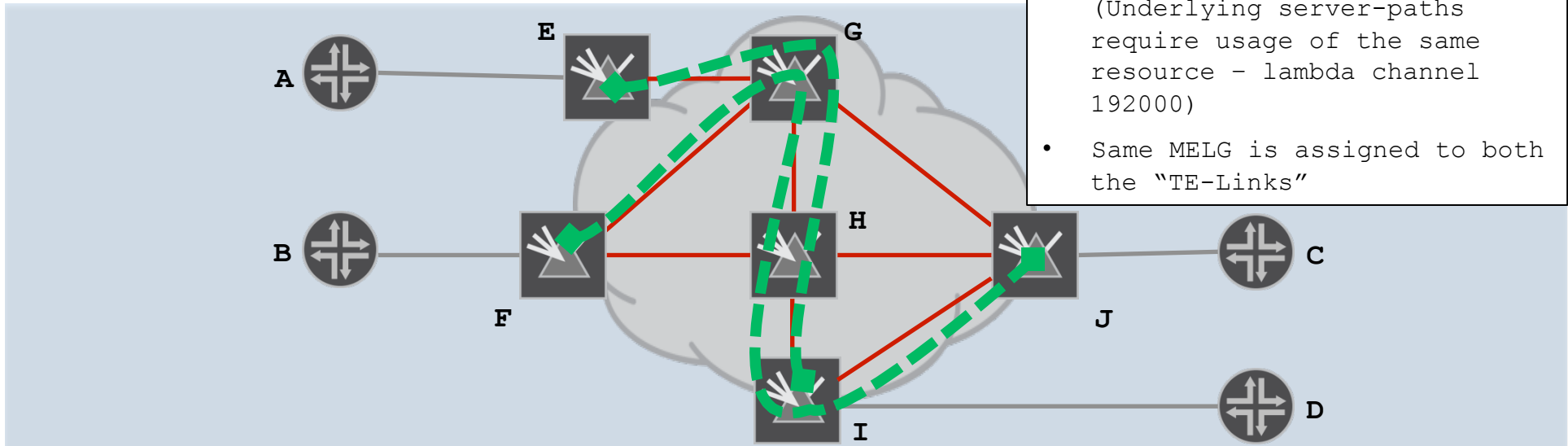
- Discussed earlier in GMPLS-ENNI draft
- MELG-00 Content
  - Definition
    - Virtual TE Links and their “mutual exclusivity” attribute
  - Usage
  - Protocol Formats
    - OSPF/ISIS

# MELG: Example 1

Client  
TE Info

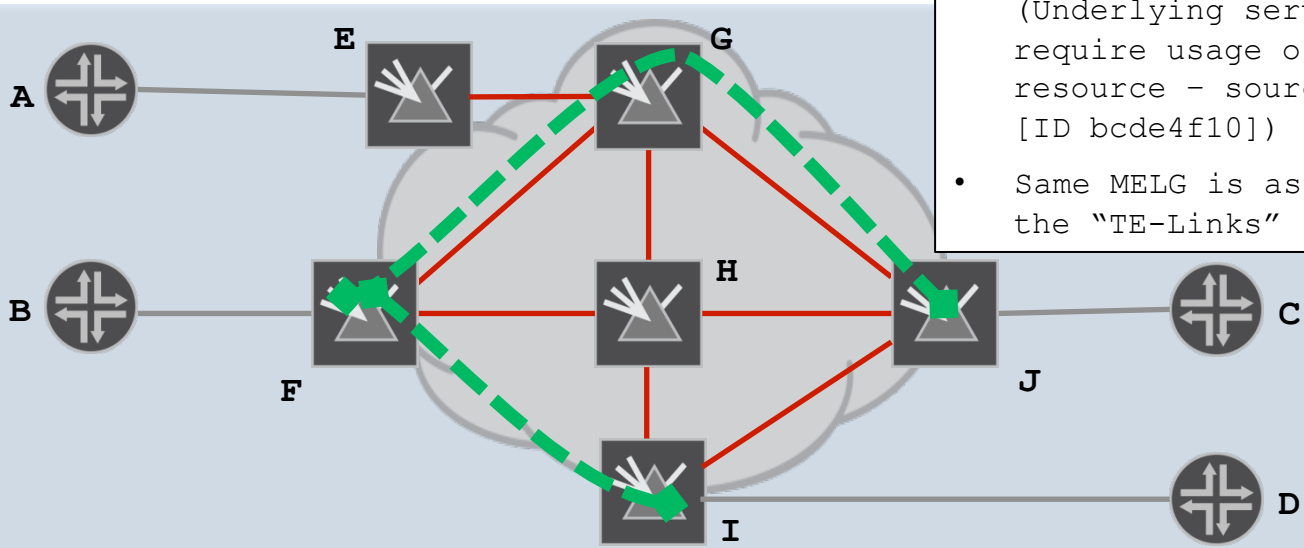
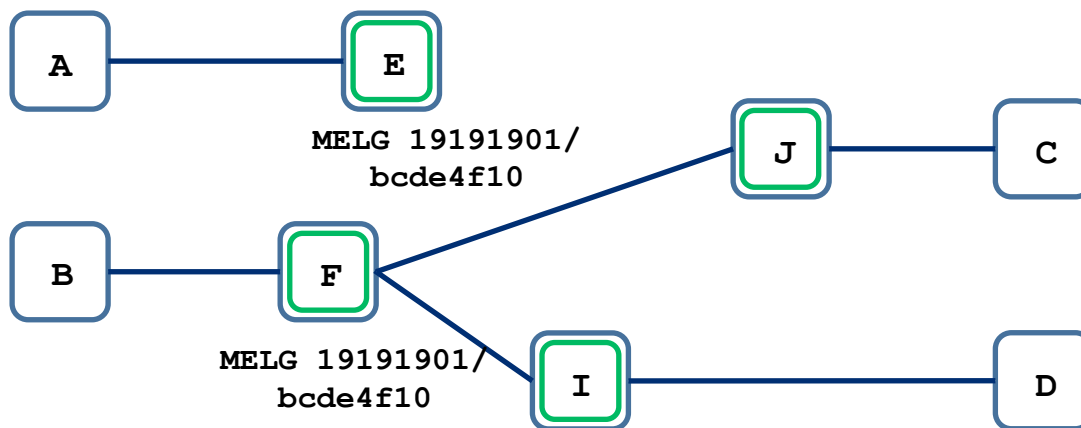


- Virtual "TE Links" E-I and F-J are mutually exclusive (Underlying server-paths require usage of the same resource - lambda channel 192000)
- Same MELG is assigned to both the "TE-Links"



# MELG: Example 2

Client TE Info



- Virtual "TE Links" F-J and F-I are mutually exclusive (Underlying server-paths require usage of the same resource - source transponder [ID bcde4f10])
- Same MELG is assigned to both the "TE-Links"

# MELG: Construct Usage

- Indicate via separate network unique number(s) that the advertised Virtual TE Link belongs to one or more Mutually Exclusive Link Groups
- Indicate whether the advertised Virtual TE Link is committed or not at the time of advertising.



# Advertisement Rules

- VTE Link advertisement
  - Withdrawn, when there is no potential path
  - MAY include MELGs sub-TLV with zero MELGs
  - with (BW=0), (MELG U-Bit=1)
    - Resources used by some other VTE Link with common MELG
    - Candidate for MBB Computation, provided original path is known to PCE
  - with (BW=0), (MELG U-Bit=0)
    - VTE Link is fully loaded
    - Candidate for MBB computation, provided the original path is known to PCE and this link is present in the original path
  - with (BW≠0), (MELG U-Bit=0,1)
    - Candidate for normal and MBB computation
    - If U-Bit=0, VTE link is not fully loaded

# Questions

- Separate document for extensions to each protocol ?
- Working Group status ?



Thank you