

Network Virtualization Hypervisor- to-NVE Control Protocol Requirements

draft-kreeger-nvo3-hypervisor-nve-cp-01

Lawrence Kreeger, Thomas Narten, David Black

Terminology

- Need a better term for “oracle”. We are using IMA for “Information Mapping Authority”
- VNIC: A Virtual NIC that connects a Tenant System to a Virtual Network Instance (VNI).
- Rename VNIC to Tenant System Interface (TSI)?

VNIC / Address Association

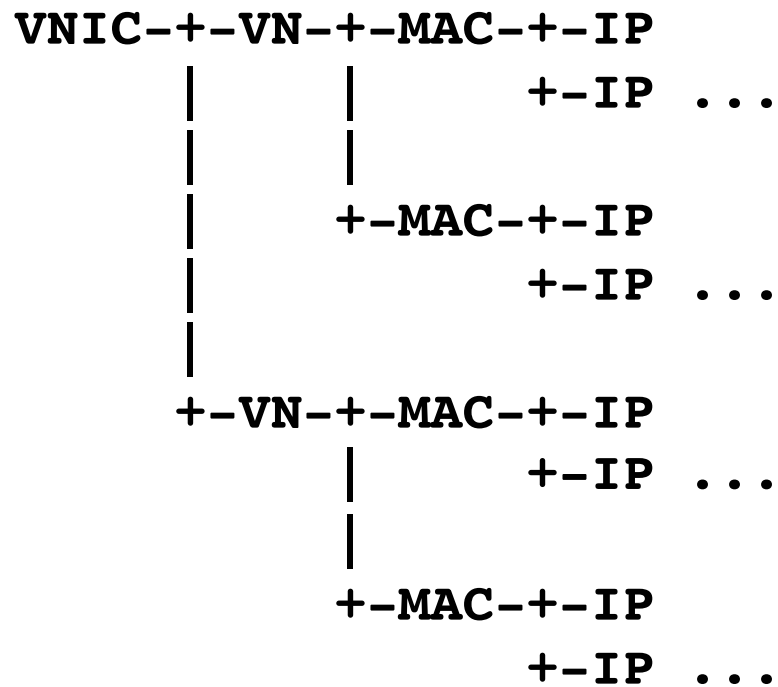
- VNIC connects to a Virtual Network with a MAC and (optionally) an IP address

VNIC--VN--MAC--IP

- VNICs migrate along with the VMs they are part of

VNIC / Address - complex case

- VNIC connects to multiple Virtual Networks with multiple MACs and IP addresses



- Signaling of VNIC migration (versus shutdown/startup) can help the NVE when a VNIC with a complex containment structure exists

Next Steps

- draft-kreeger-nvo3-hypervisor-nve-cp-01
 - Authors met with some authors of related drafts draft-gu-nvo3-tes-nve-mechanism and draft-kompella-nvo3-server2nve-01
 - Plan: Include VM lifecycle events to motivate detailed requirements
 - Will ask that resulting draft be adopted as WG draft
- Adopt as Working Group draft the NVE to oracle (IMA) control plane requirements
draft-kreeger-nvo3-overlay-cp-req-02