

RSVP MULTI_INSTANCE

at IETF86

draft-polk-rsvp-multi-instance-object-01

14 March 2013

James Polk
Subha Dhesikan

Scope of New ID

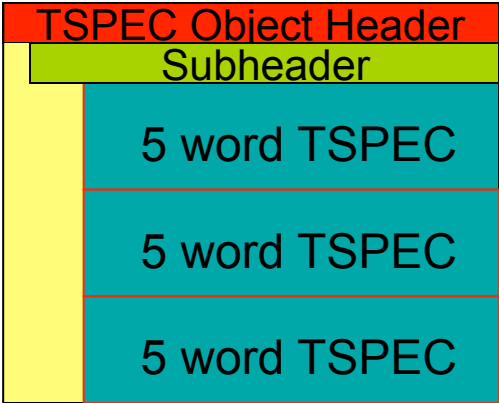
- New RSVP Object to carry additional instances more than one existing object in the same message.
- Why needed?
 - For Objects that would be acceptable along a path if contain a different value. For example:
 - Bandwidth amount requested
 - Priority for each Bandwidth amount requested
- Intended to replace MULTI_TSPEC draft
 - Which is a current TSVWG item
 - We all can thank Lou Berger for this disruption/great idea...

RSVP vs. IntServ Object

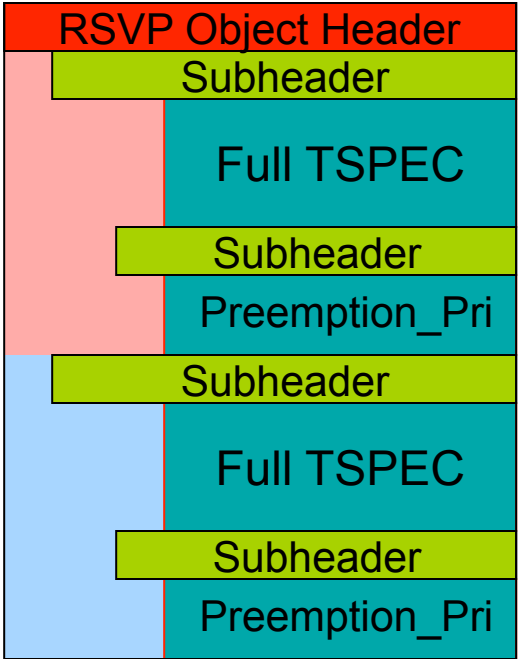
- This is a framework for a new RSVP Object for any multiple
 - *SPEC
 - Object and/or
 - Element
 - (because not everyone uses IntServ – shhhh!)
 - This would remove MULTI_TSPEC from IntServ
 - yet accomplish same thing
 - and allow additional *things* to participate

Comparing Old with New Proposal

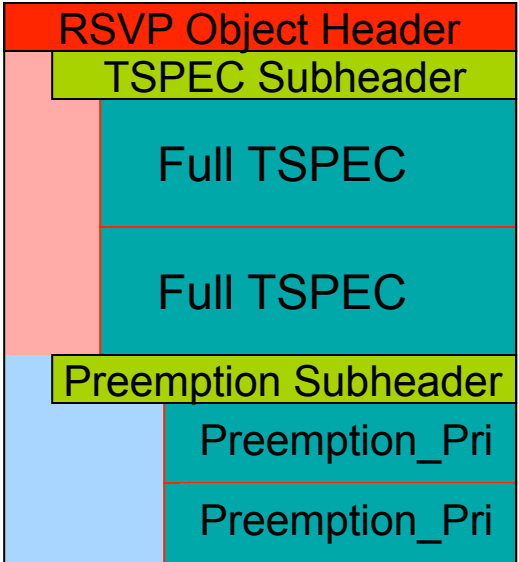
- Original MULTI_TSPEC Object



- Option 1 - New RSVP Object



- Option 2 - New RSVP Object



Issue is how to group, by type or pairings

New Open Issues

- Hey – we don't know where this Object goes in RSVP yet...
- Draft focuses more on PATH message
 - and not the RESV so much

Next Steps...

- Good enough to swap drafts to cover the same milestone?
- Solicit reviews
- Address open issues