

Performance Monitoring Analysis for L3VPN

draft-zheng-l3vpn-pm-analysis-01

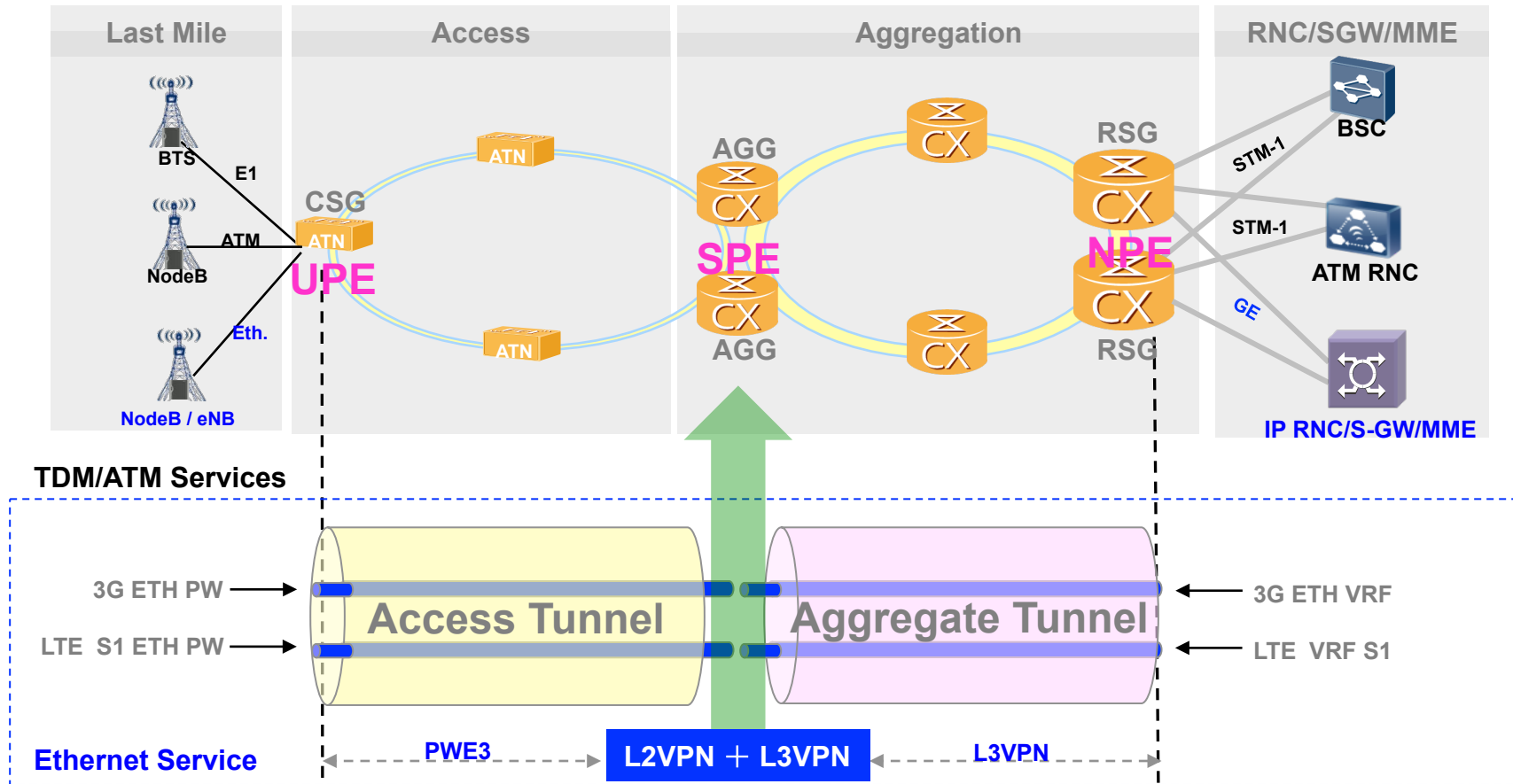
Lianshu Zheng (Huawei)

Zhenbin Li (Huawei)

Bhavani Parise (Cisco)

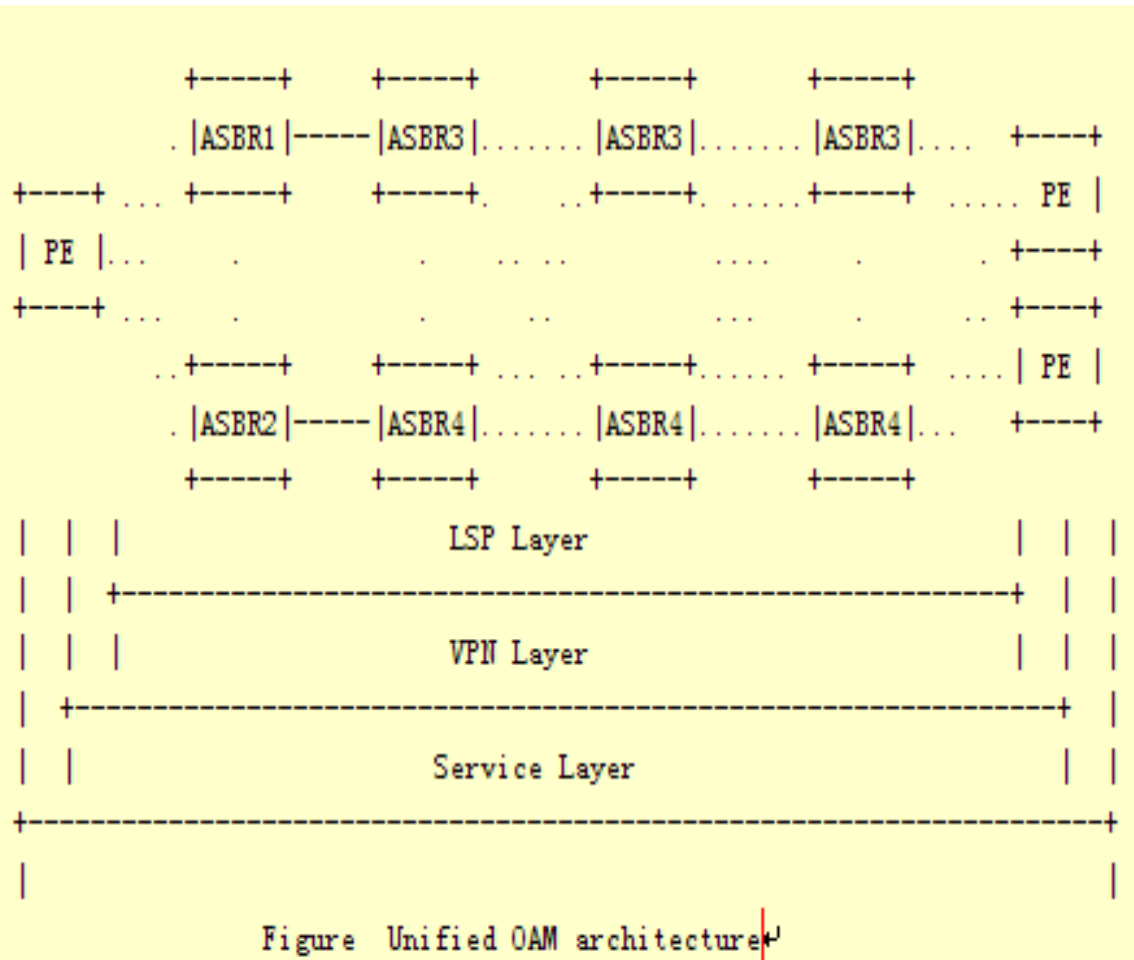
IETF87 July 2013 Berlin

L3VPN Deployment in Mobile Backhaul Networks



- L3VPN has been deployed in mobile backhaul networks for the reason of:
 - FMC (Fixed Mobile Convergence)
 - Scalability

Requirement of Performance Monitoring for L3VPN



SDH-like OAM service should be provided in MBB networks.

L2VPN

L3VPN

MPLS TP for LSP

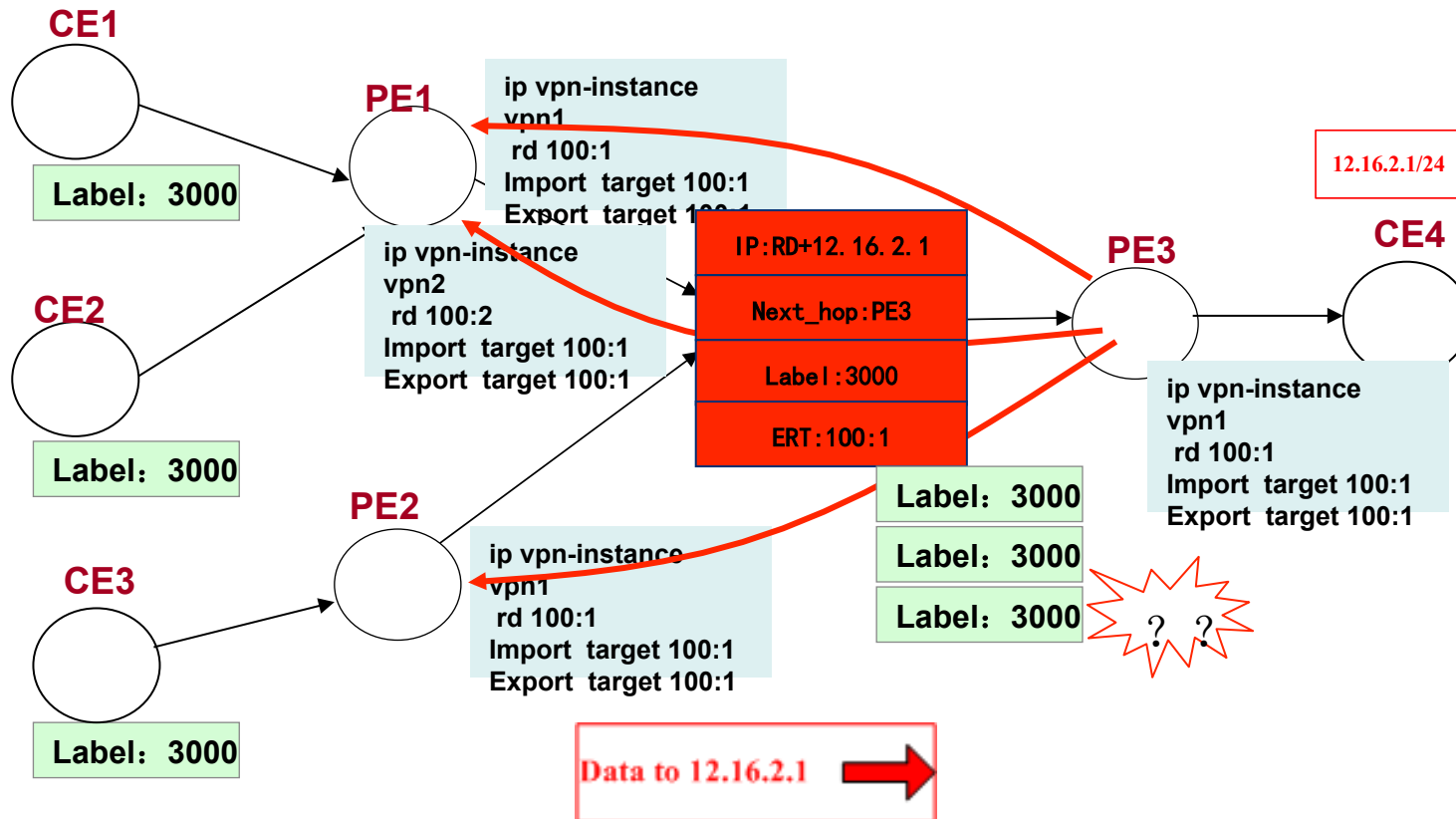
MPLS TP for PW ??? for L3VPN

Y.1731 for MAC ??? for IP

draft-li-mpls-seamless-mpls-mbb-00

Challenge for L3VPN Performance Monitoring

- Network Model: Multipoint-to-Point or Multipoint-to-Multipoint
 - Existing mechanisms for MPLS networks are for P2P or P2MP.



Same Consideration for E-VPN

Updates

- Add one co-author: Bhavani Parise
- Modify based on the careful review comments from Bhavani Parise to make explanations more precise
- Correct text errors

Next Steps

- Solicit more comments & feedbacks
- Request to adopt as the WG draft