

# **Encapsulating IP in UDP**

**draft-xu-softwire-ip-in-udp-02**

**Xiaohu Xu (Huawei)**

**Lucy Yong (Huawei)**

**Yiu Lee (Comcast)**

**Yongbing Fan (China Telecom)**

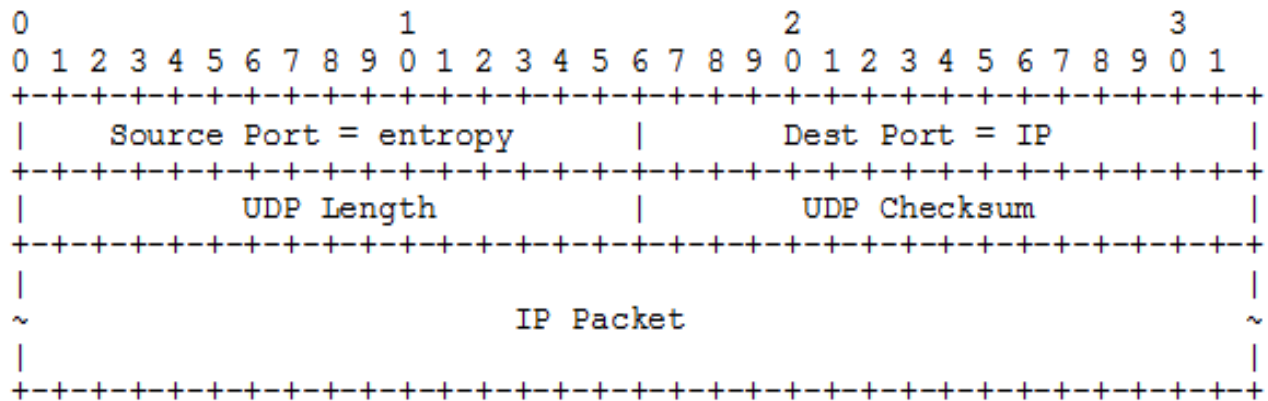
**Rajiv Asati (Cisco)**

**Iljitsch van Beijnum (Institute IMDEA Networks)**

**IETF87, Berlin**

# IP-in-UDP Encapsulation

- Most existing core routers already support balancing IP traffic flows based on the hash of the five-tuple of UDP packets.
- Therefore, by using IP-in-UDP instead of IP-in-GRE or IP-in-IP for Softwire encapsulation, existing core routers could improve the load-balancing efficiency of Softwire traffic without requiring any change to them.



# Next-steps

- **Solicit WG adoption of this doc.**