

Radius Extension for Lightweight 4over6

draft-sun-softwire-lw4over6-radext-00

IETF 87-Berlin, July 2013

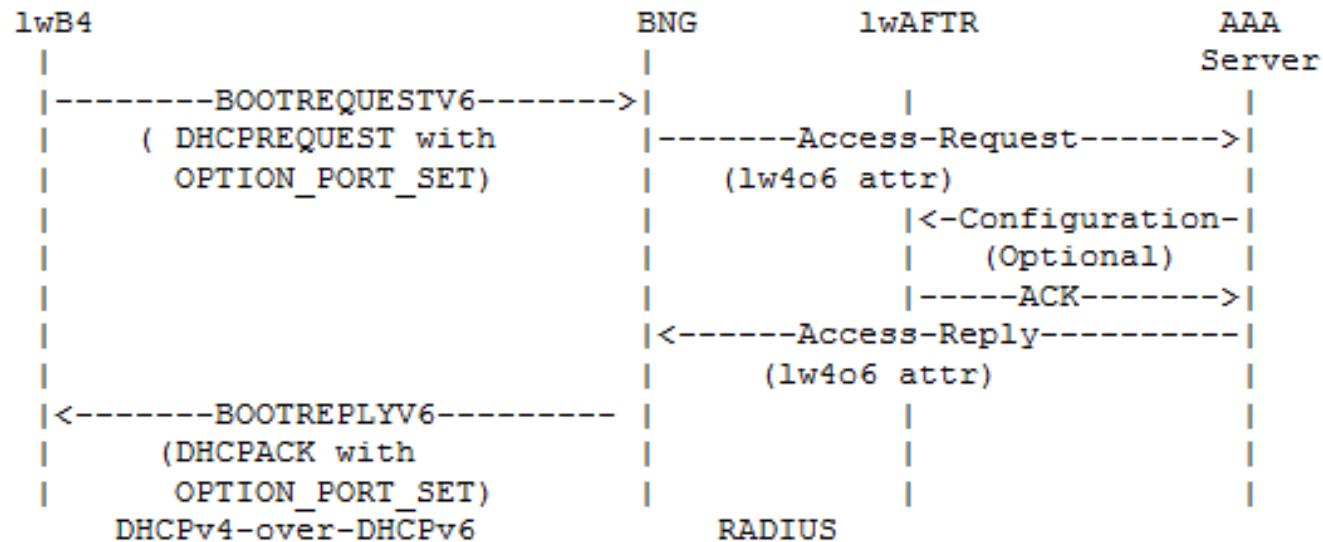
C.Xie, Qiong Sun, Qi Sun, C. Zhou (Presenter),
T. Tsou

Motivation

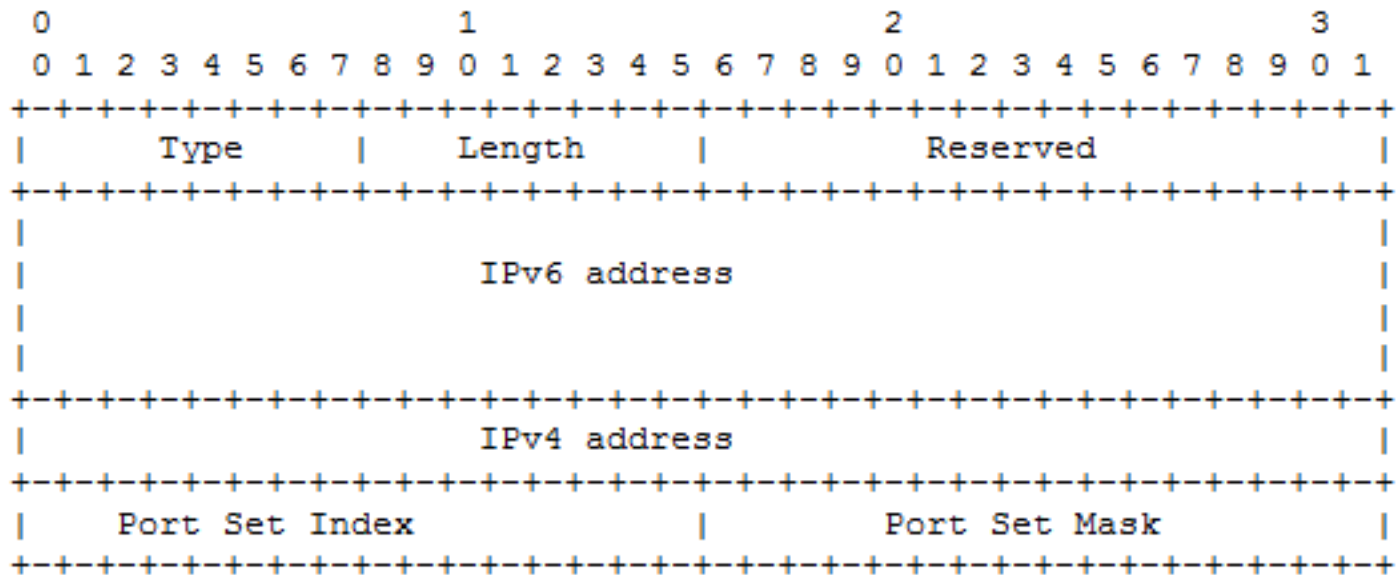
- Lw4over6 needs to provision per-subscriber binding state to lwB4.
- In many networks, user configuration information may be managed by AAA servers.
 - AAA server will maintain the IPv6 address, IPv4 address and port-set for subscribers.
 - lwB4: DHCPv4-over-DHCPv6 client
 - BNG: embed a DHCPv4-over-DHCPv6 server function, Radius client
 - AAA: per-configure subscriber's binding state and distribute to BNG

Lightweight 4over6 configuration process with RADIUS

Case 2: Later authentication



lw4o6_binding Attribute



Port-set format will be align with the final decision in the WG.

Next Step

- Comments?
- Move forward?