
Loss and Delay Measurement in Transparent Interconnection of Lots of Links (TRILL)

draft-mizrahi-trill-loss-delay-01

Tal Mizrahi	Marvell
Tissa Senevirathne	Cisco
Samer Salam	Cisco
Deepak Kumar	Cisco
Donald Eastlake 3 rd	Huawei

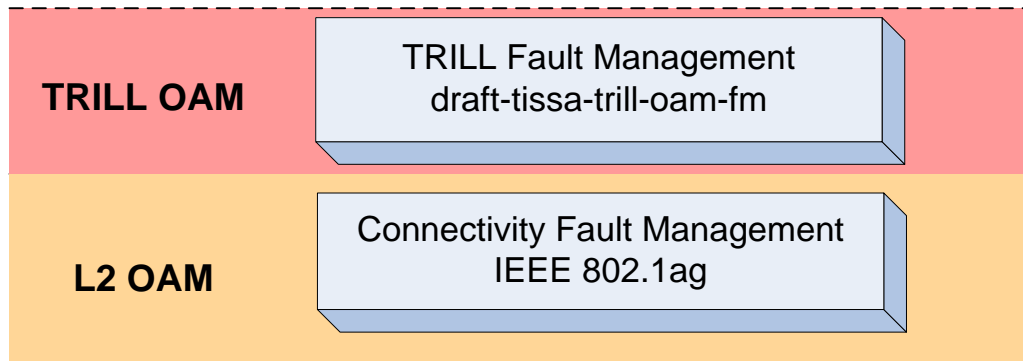
IETF Meeting 87, July 2013

Performance Monitoring (PM)

- ▶ **One of the key aspects of OAM.**
- ▶ **Verify Service Level Agreement (SLA).**
- ▶ **Detect performance degradation and network anomalies.**

TRILL OAM

Fault Management

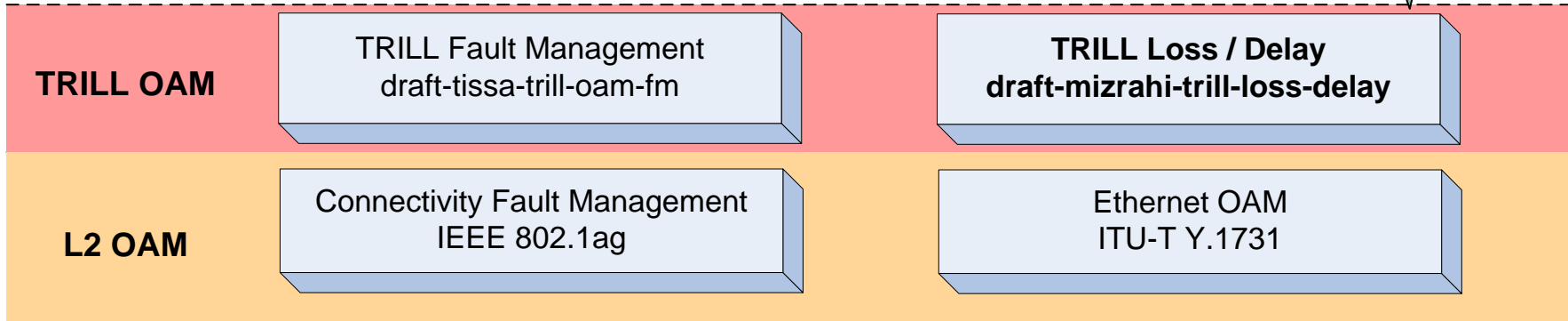


TRILL Loss / Delay

TRILL PM is based on ITU-T G.8013/Y.1731 PM.

Fault Management

Performance Monitoring



TRILL Loss / Delay - Overview

▶ **Loss Measurement (LM).**

- Loss rate / Packet Delivery Rate (PDR).
- Synthetic LM

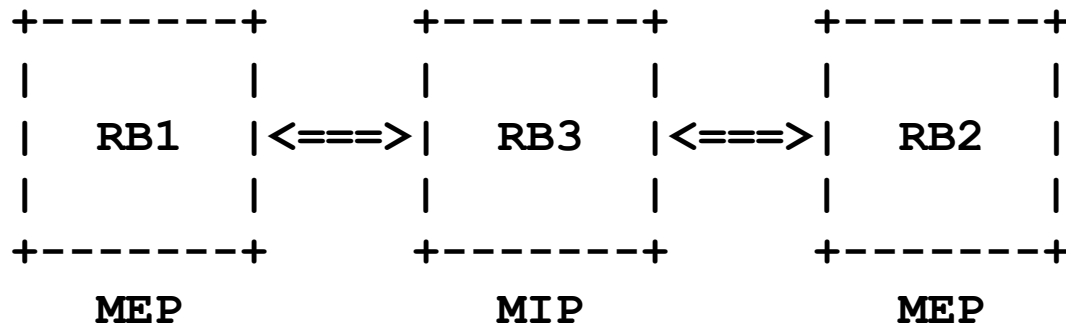
- One-Way LM (OWLM)
- Two-Way LM (TWLM)

▶ **Delay Measurement (DM).**

- Delay / delay variation (jitter).

- One-Way DM (OWDM)
- Two-Way DM (TWDM)

TRILL Loss / Delay – Overview (2)



▶ One-way / two-way.

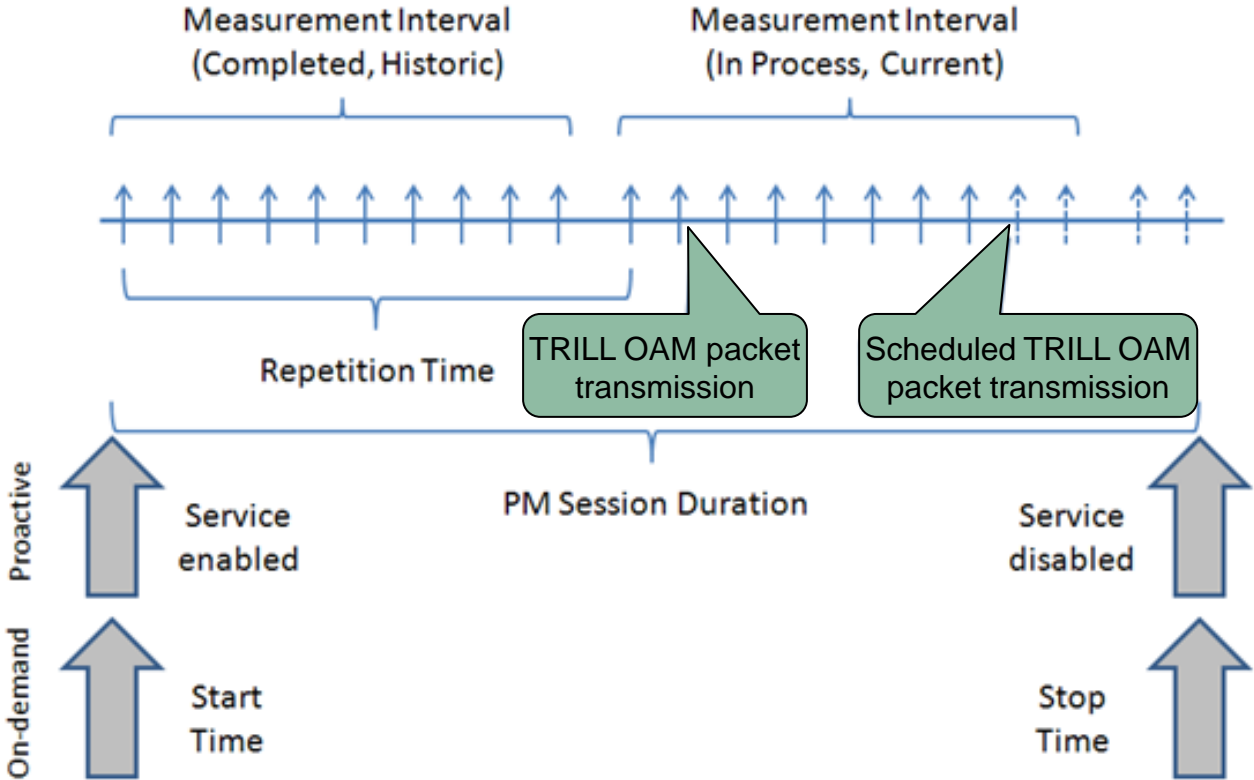
- One-way: RB1 sends PM messages, RB2 monitors.
- Two-way: RB1 sends PM messages, RB2 responds, RB1 monitors.

▶ Proactive / on-demand.

▶ P2P / P2MP.

▶ Packet formats – identical to ITU-T G.8013/Y.1731.

TRILL OAM PM Process



Status of this Draft

- ▶ **February 2013 – draft 00.**
- ▶ **July 2013 – draft 01.**

- ▶ **What has changed since draft 00:**
 - ▶ **Fixed minor errors and inconsistencies.**
 - ▶ **Added section “Performance Monitoring Parameters”.**
 - ▶ **Deepak Kumar has joined as a co-author.**

- ▶ **Next steps:**
 - ▶ **More comments from WG.**
 - ▶ **Request WG adoption.**

Thanks
