

# UNI Extensions for Diversity and Latency Support

draft-fedyk-ccamp-uni-extensions-03

## IETF 88 – CCAMP WG

Don Fedyk	<a href="mailto:Don.Fedyk@hp.com">Don.Fedyk@hp.com</a>
Dieter Beller	<a href="mailto:Dieter.Beller@alcatel-lucent.com">Dieter.Beller@alcatel-lucent.com</a>
Lieven Levrau	<a href="mailto:Lieven.Levrau@alcatel-lucent.com">Lieven.Levrau@alcatel-lucent.com</a>
Daniele Ceccerelli	<a href="mailto:Daniele.Ceccarelli@ericsson.com">Daniele.Ceccarelli@ericsson.com</a>
Fatai Zhang	<a href="mailto:ZhangFatai@huawei.com">ZhangFatai@huawei.com</a>
Yuji Tochio	<a href="mailto:Tochio@jp.fujitsu.com">Tochio@jp.fujitsu.com</a>
Xihua Fu	<a href="mailto:Fu.Xihua@zte.com.cn">Fu.Xihua@zte.com.cn</a>

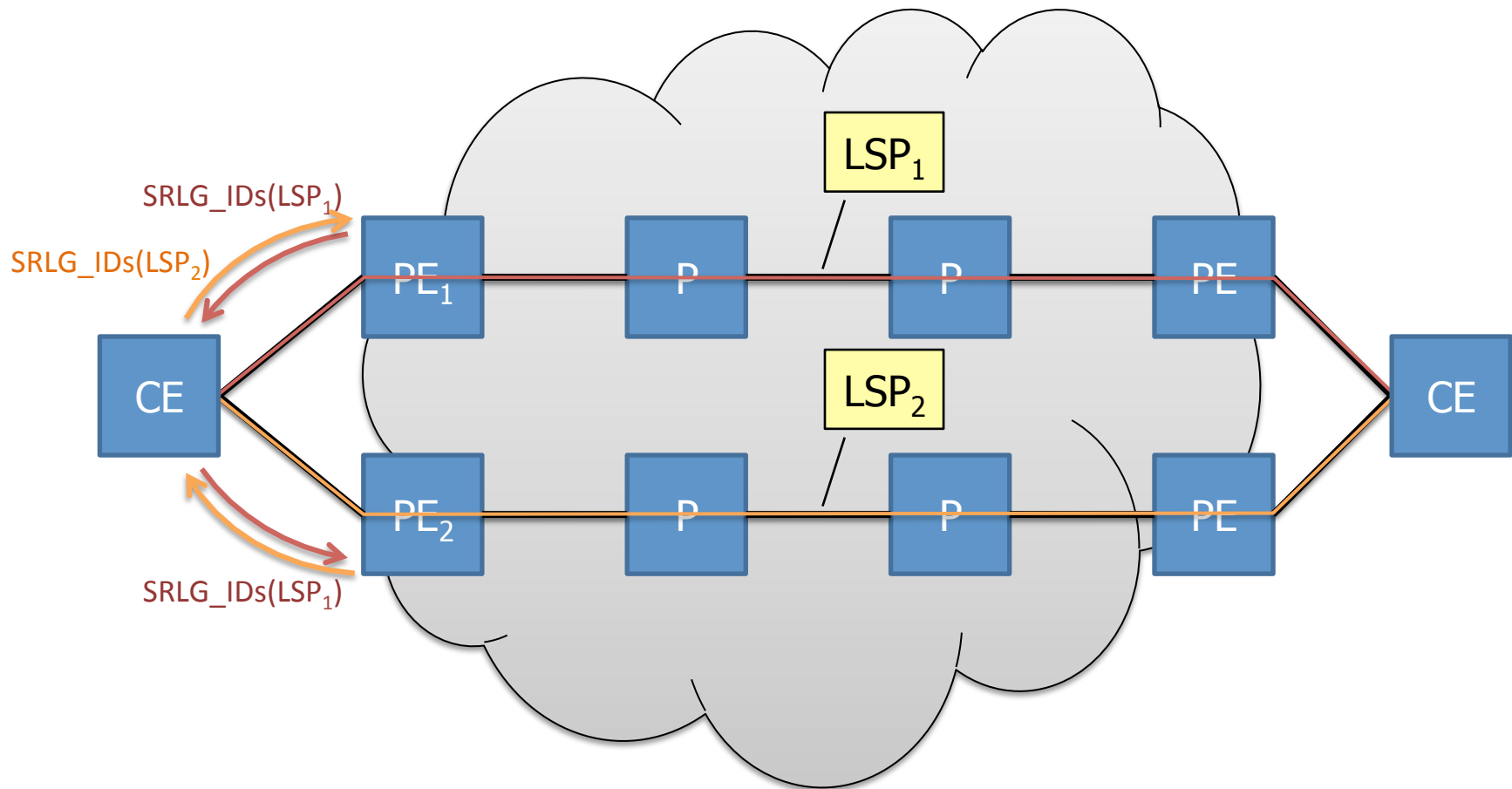
# Agenda

- Updates from 02 to 03 version
  - New: multi-domain aspects
- Single and multi-domain use cases
- Next steps

# Updates from 02 to 03 version

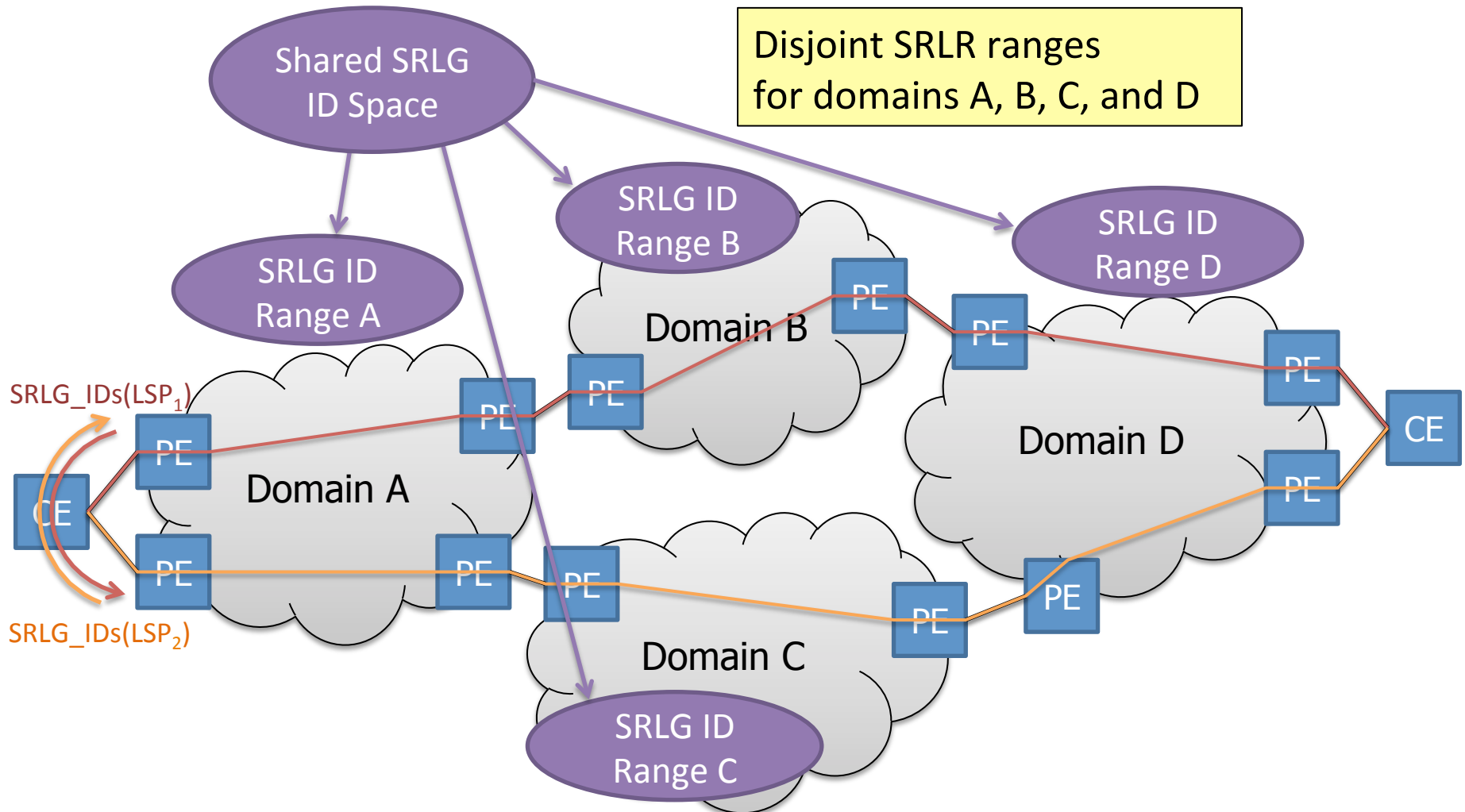
- Diversity part for dual-homed CEs:
  - Section on multi-domain aspects added:
    - Subdividing identifier space
    - Scoping ID space to domains utilizing the domain sub-object defined in [draft-ietf-ccamp-rsvp-te-domain-subobjects-00](#)
- Latency part:
  - No updates
- Draft fairly stable

# Single domain diversity use case (SRLG example)



Exchange of SRLG ID list for disjoint LSPs via source CE node

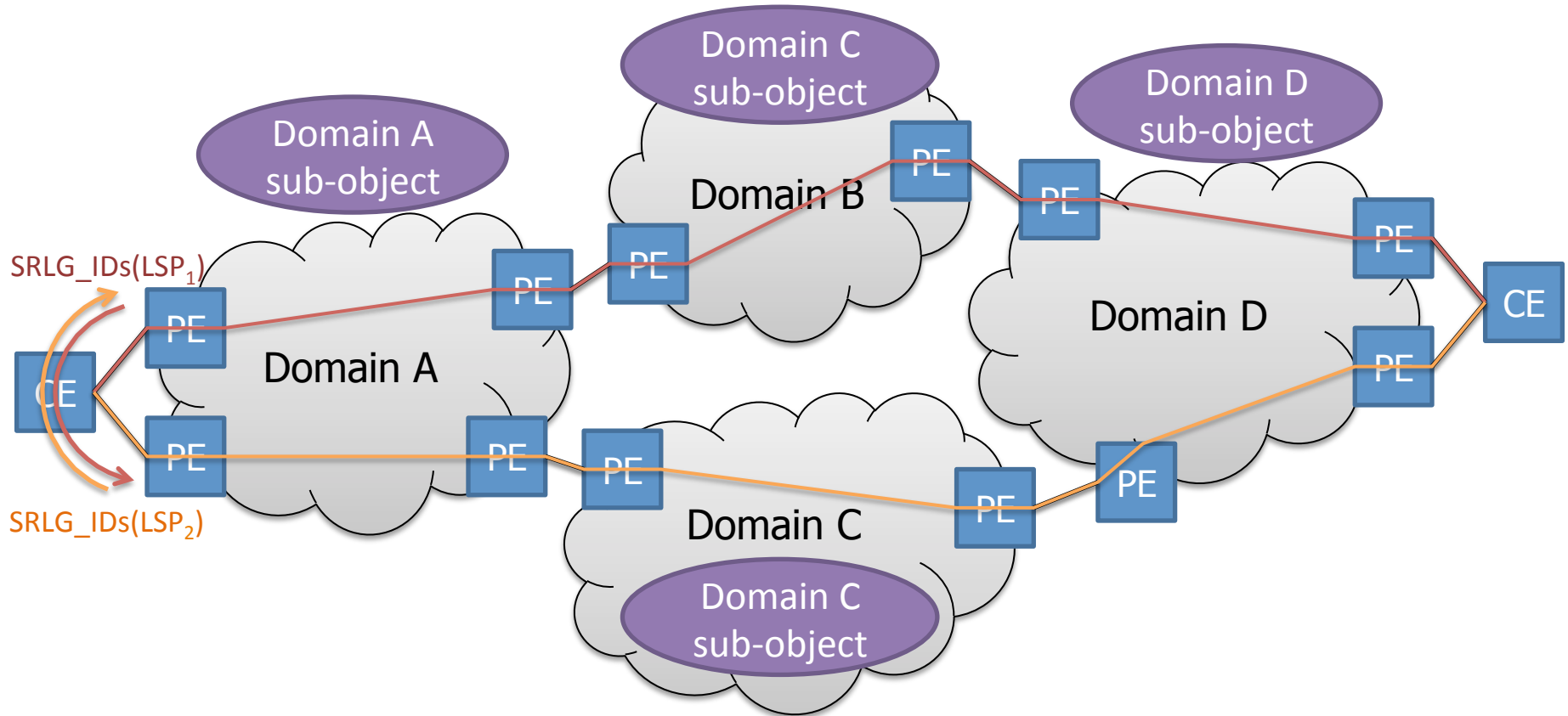
# Multi-domain diversity use case (sharing a single SRLG ID space)



# Multi-domain diversity use case (Scoping the SRLG ID space to domains)

SRLG IDs scoped by pre-pended domain ID subobject in RSVP message:

$SRLG\_IDs(LSP_1) = [domain\_sub-object(D_A), SRLG\_IDs(D_A)], [D_B], [D_C]$



# Next Steps

- Solicit feedback/comments from the group
- Further completion/refinement → multi-domain part
- Collaboration with authors working on other GMPLS UNI/overlay model related drafts discussed in this CCAMP session
- Ready for WG adoption

# Thank You!