

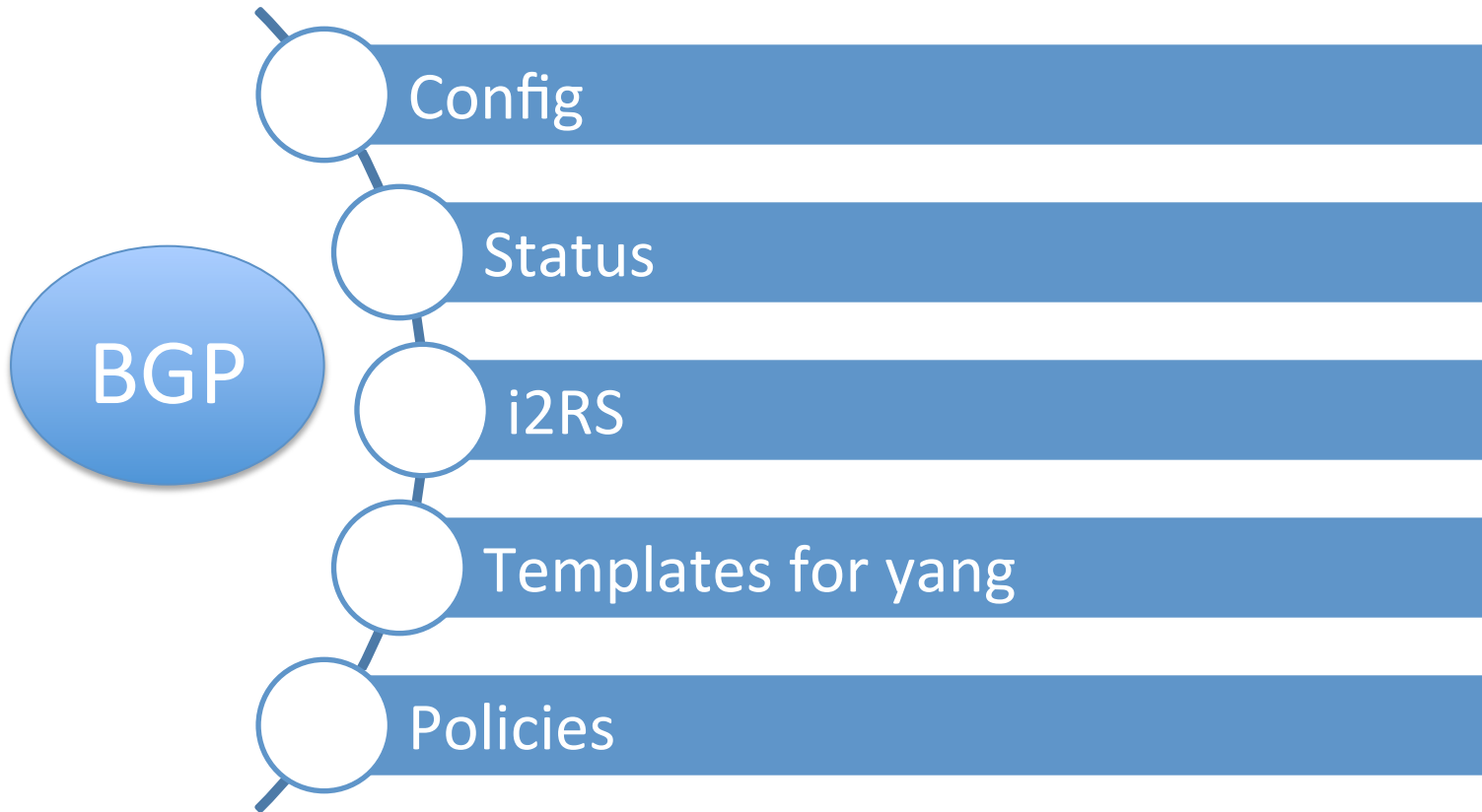
BGP-IM

Sue Hares

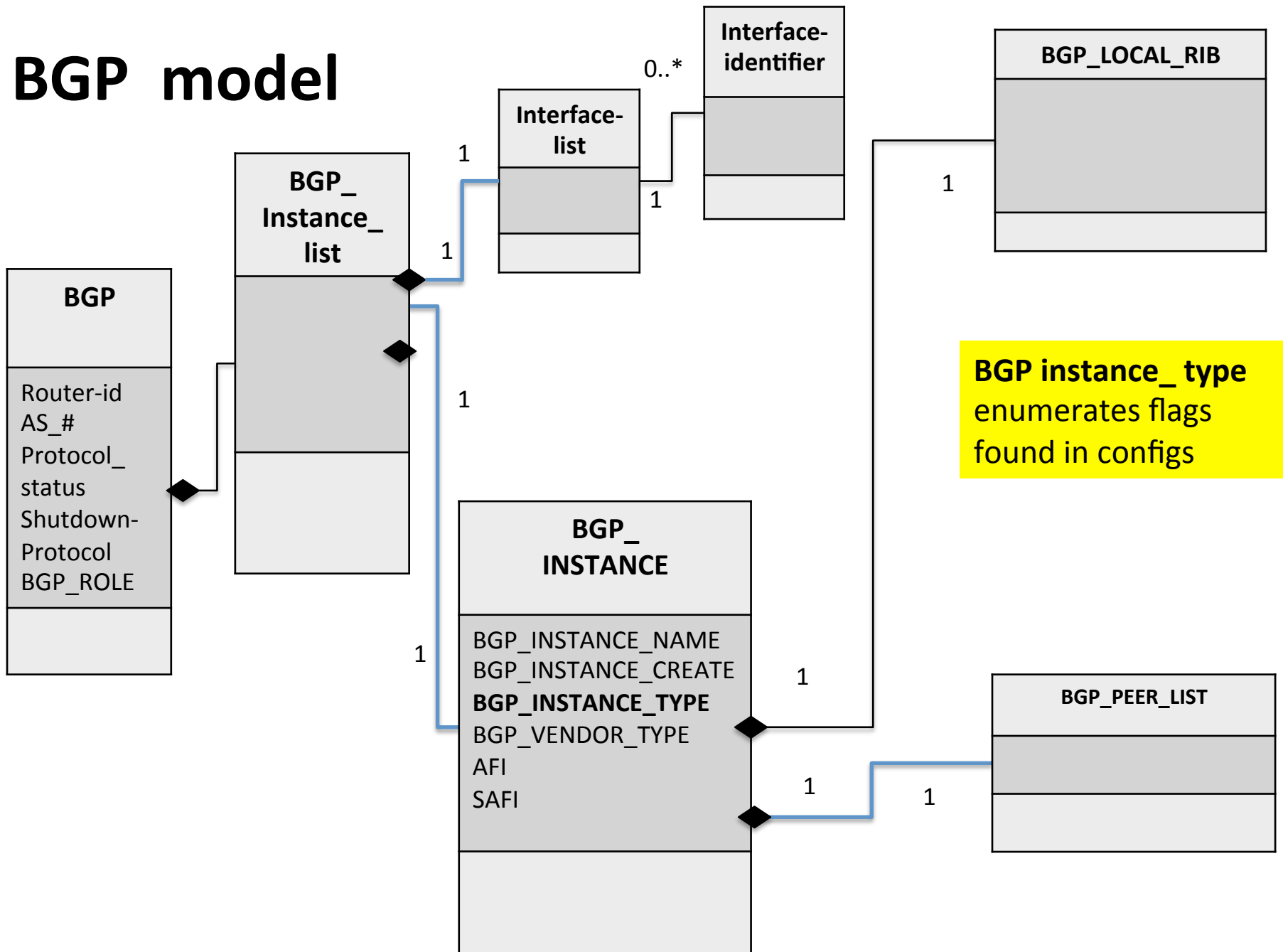
Lixing Wang

Shunwan Zhuang

Data Stores

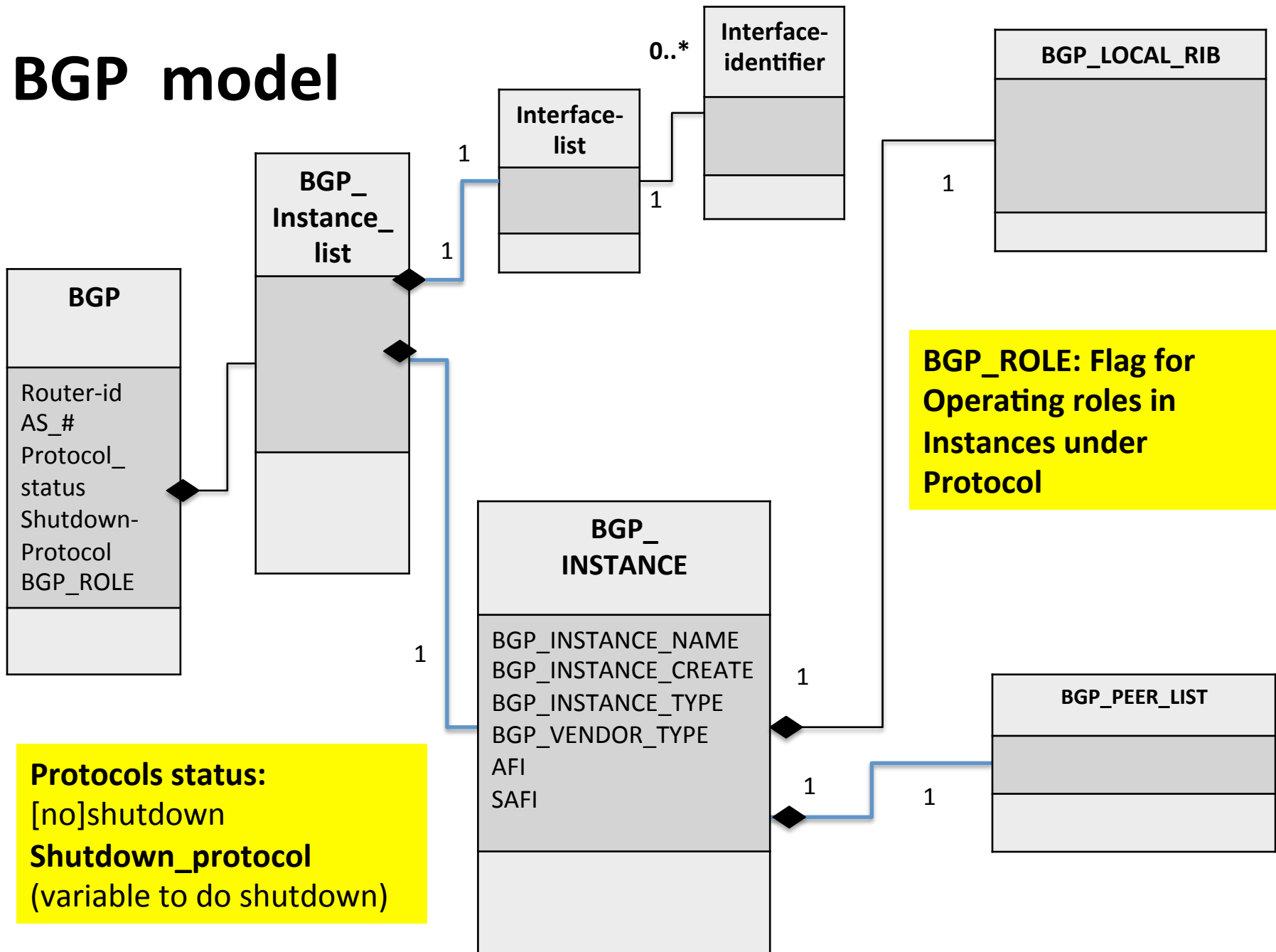


BGP model



BGP instance_type enumerates flags found in configs

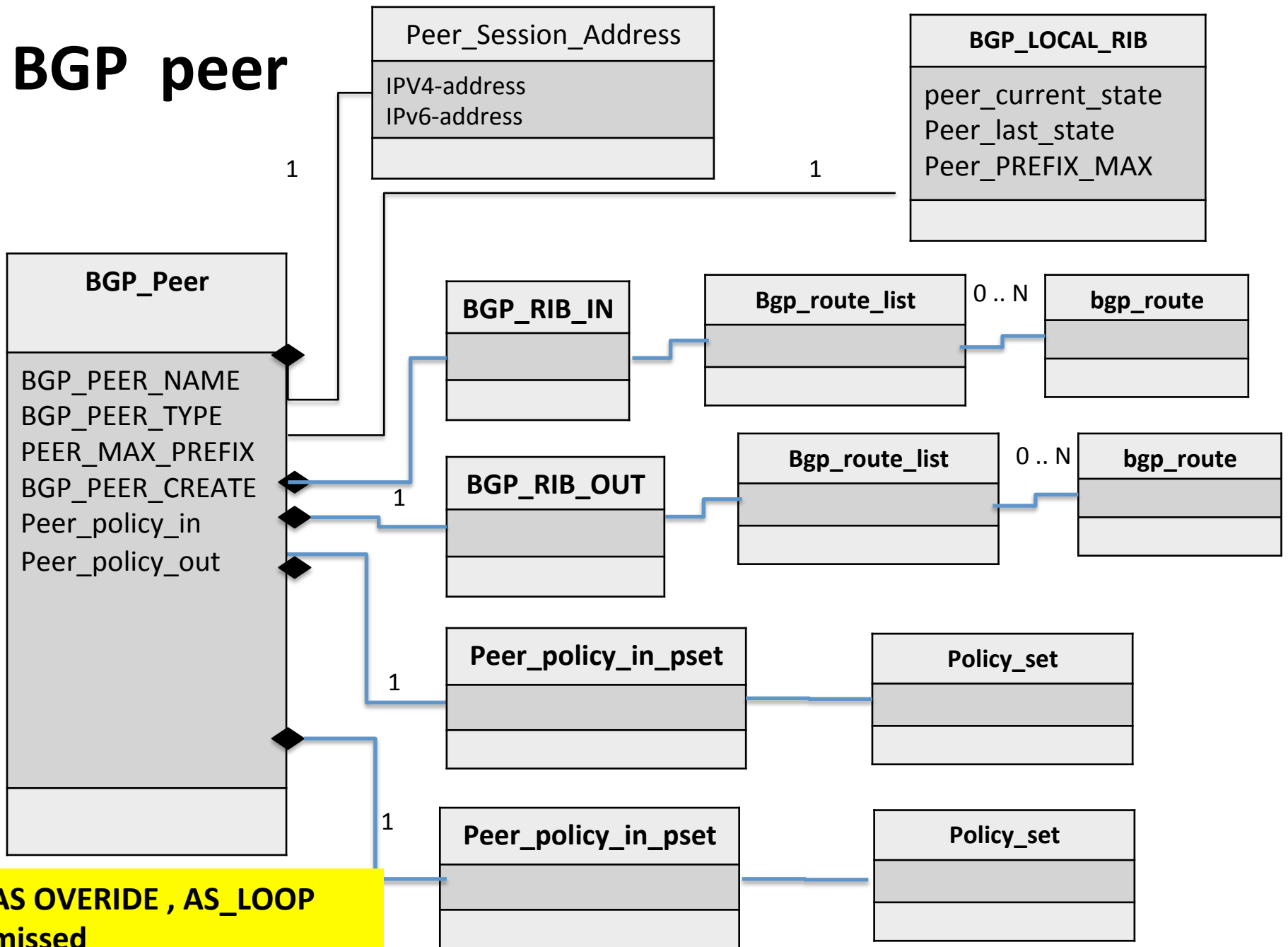
BGP model



BGP_ROLE: Flag for Operating roles in Instances under Protocol

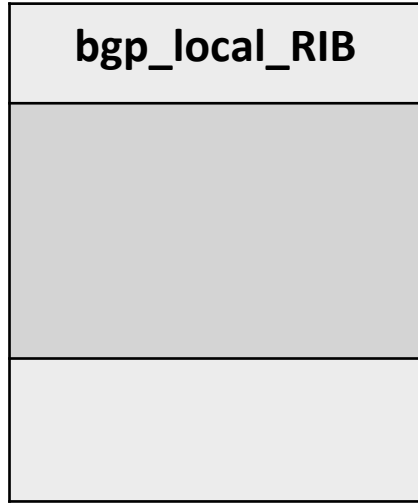
Protocols status:
 [no]shutdown
Shutdown_protocol
 (variable to do shutdown)

BGP peer



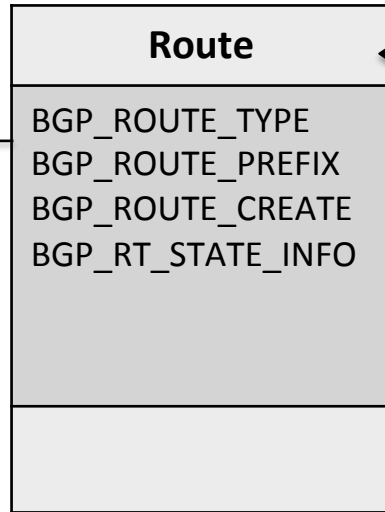
AS_OVERRIDE , AS_LOOP missed

Bgp_local_RIB



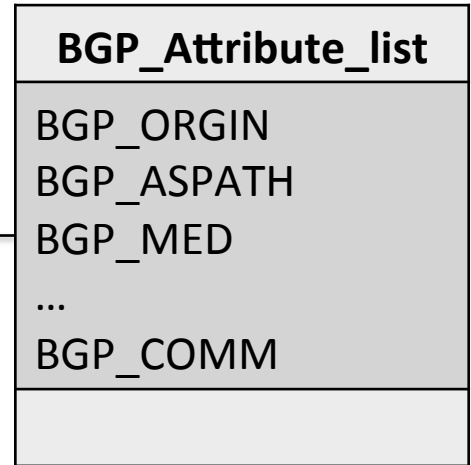
1

0..*



0..*

1

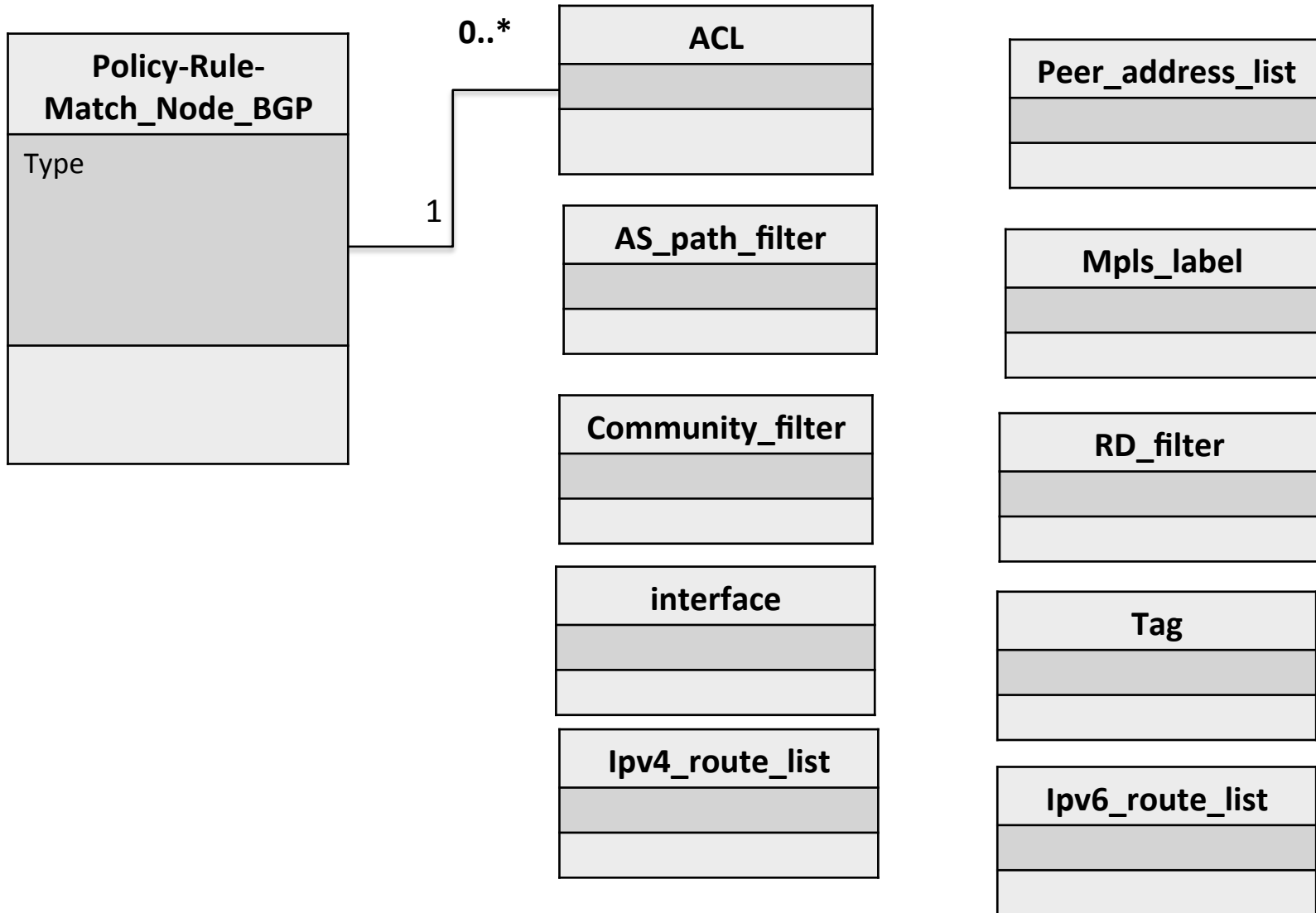


ROUTE_TYPE – AFI/SAFI name
PREFIX – actual route bits

0..*

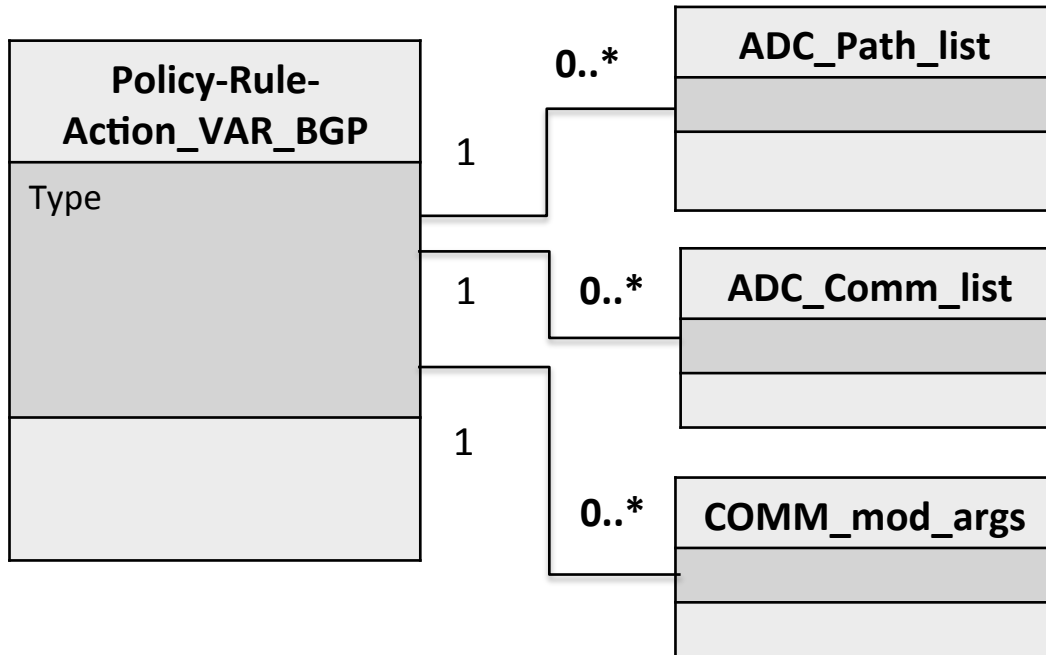
Extensions in Policy for BGP

Additions to policy match unique to BGP



Extensions in Policy for BGP

Additions to actions



What's next

- Thank you for input – Tom Petch, Dean Bogdanovic, Jeff Haas, Keyur Patel, Yael frank
- Best if this is aligned with BGP netmod and some templates
- Want to do this as weekly Discussion Group and drafts on github
- Any input taken ..