

draft-shawam-pwe3-ms-pw-  
protection-00.txt

L. Andersson, H. van Helvoort, A.  
Malis, J. Shin, L. Wang, A.  
D'Alessandro

Scope of current linear protection in RFC6387 (PSC) and RFC7271 (ITU-T mode) is protection for statically provisioned MPLS-TP LSPs

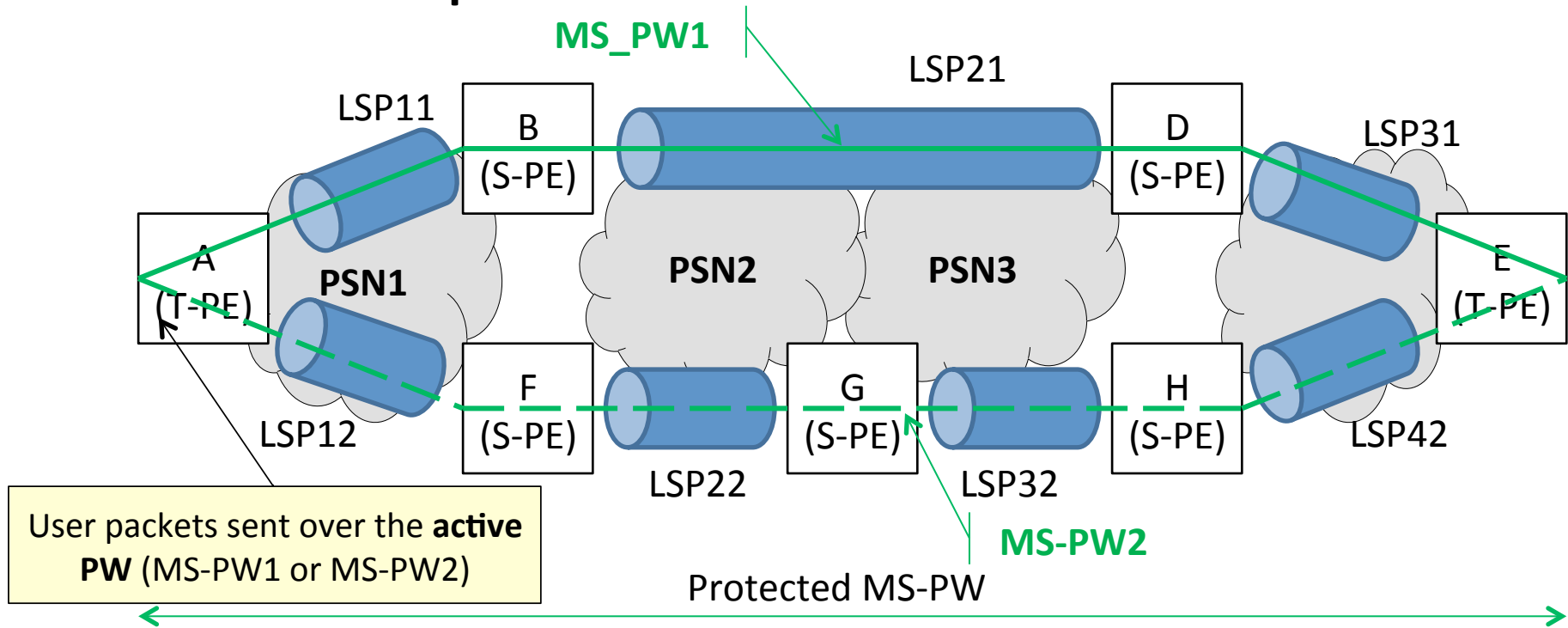
Statically provisioned SS-PW: the end-to-end LSP tunnel is used for its protection

Statically provisioned MS-PW: the section LSP tunnels can provide protection, however the intermediate S-PEs are unprotected and will be a single point of failure

Solution: draft-shawam-pwe3-ms-pw-protection

*This is an extension of the standard applicability  
of RFC6378 and RFC7271  
to coordinate MS-PW protection switching*

# MS-PW trail protection – Reference Network



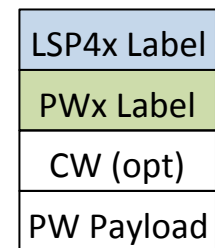
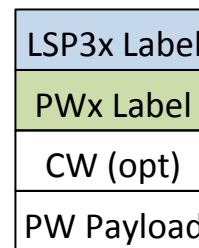
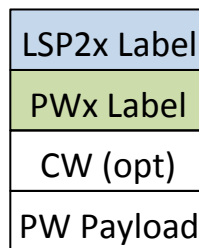
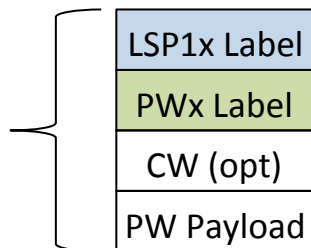
Transport LSP1x

Transport LSP2x

Transport LSP3x

Transport LSP4x

User data  
Packets



# Going Forward

- Presented to introduce draft to the WG
- Please read and comment to the list (thanks for those that have already done so)
- Draft will be updated to reflect comments, and then will ask for WG adoption