

I2RS Work

Susan Hares

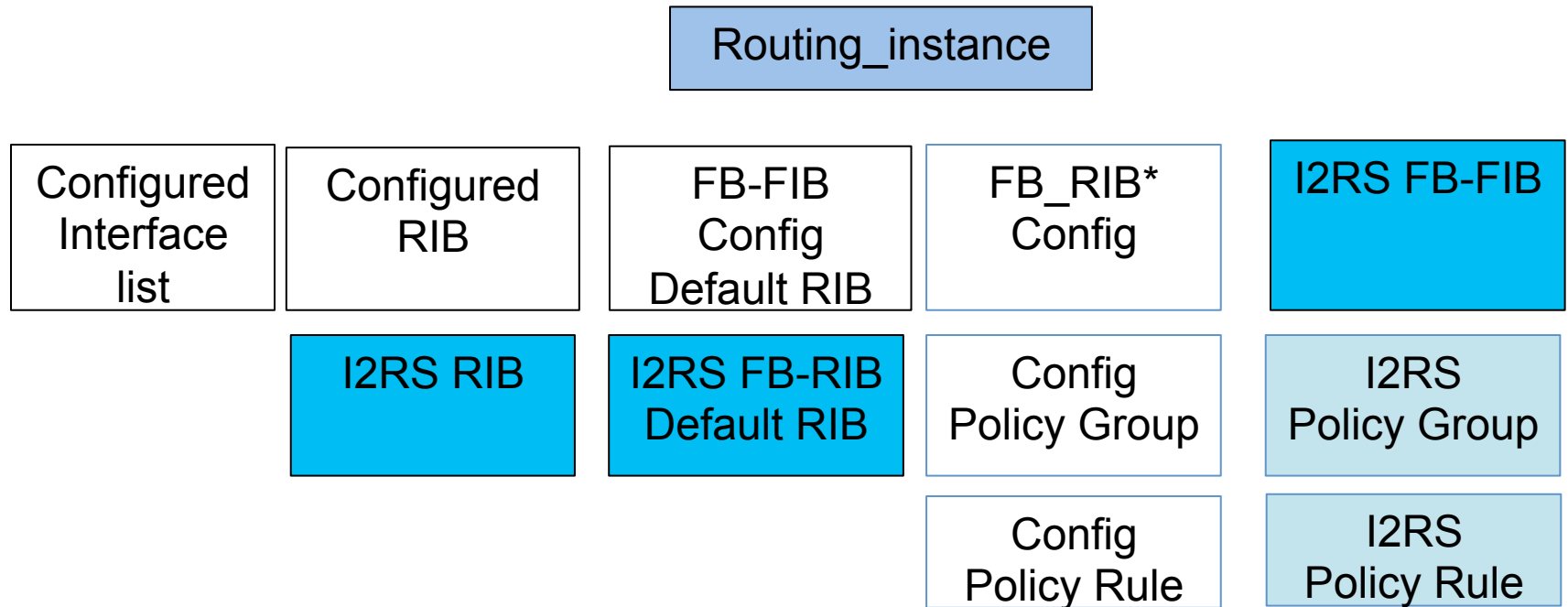
I2RS co-chair

I2RS Charter

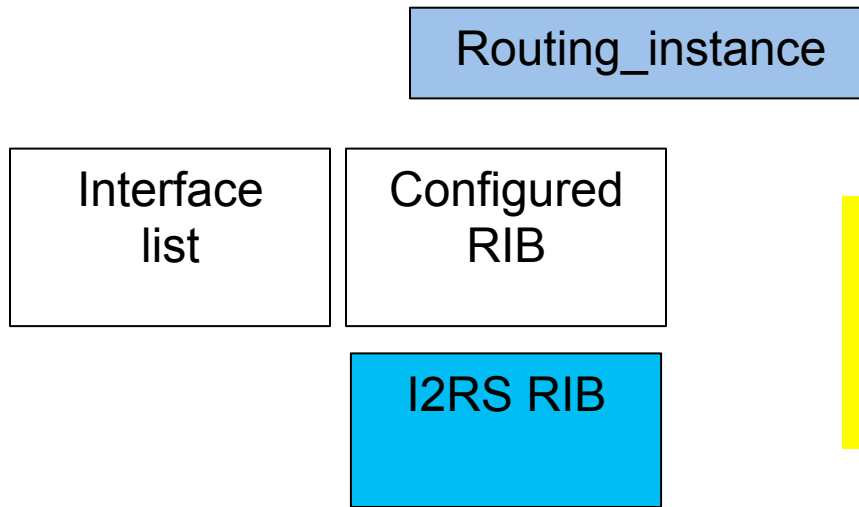
- I2RS problem and architecture drafts
- I2RS Use Case documents
- I2RS protocol requirements (not covered here)
- I2RS protocol independent work
 - Forwarding RIBs
 - Filter-Based RIB
 - Protocol Independent Topologies

I2RS P.I. Forwarding RIBs

- I2RS RIB
- I2RS FB-RIB (Filter-Based RibS)



RIB Models



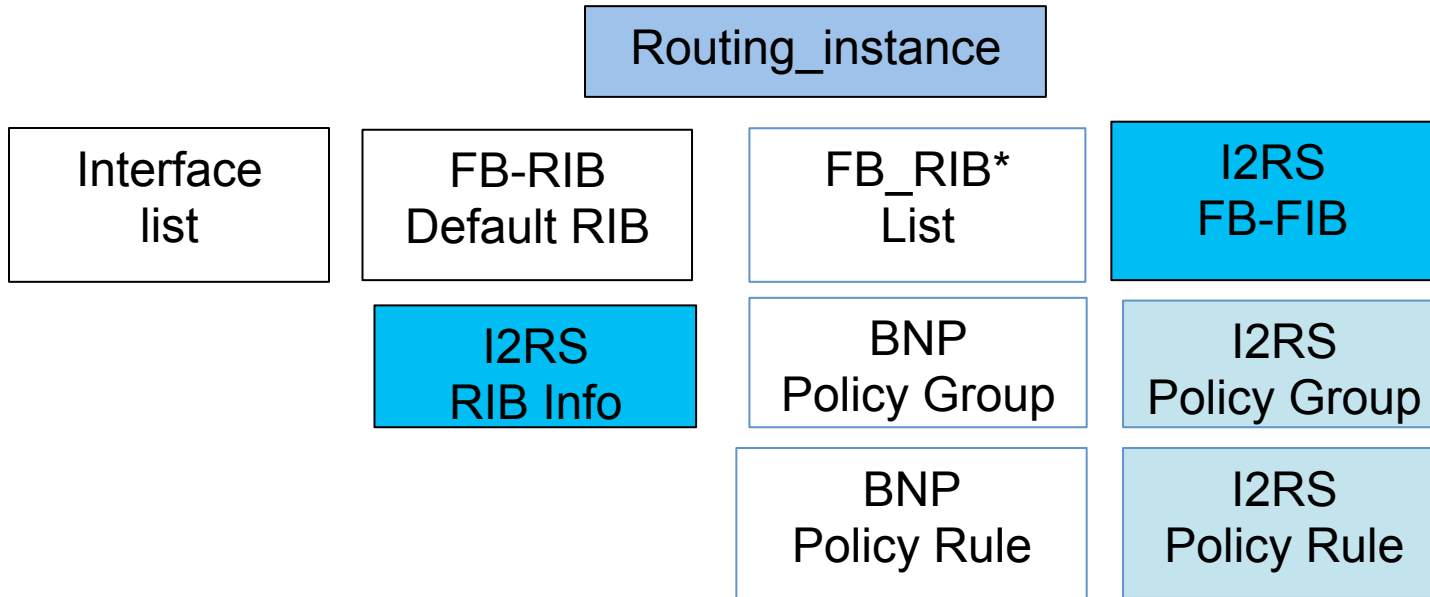
These are ready for review and implementation.

I2RS RIB Models

[draft-ietf-i2rs-rib-info-model-06](#)

[draft-wang-i2rs-rib-data-model-02](#) (Adoption Pending)

FB-RIB as a Filter-Based RIB



I2RS PBR Models

[draft-kini-i2rs-fb-rib-info-model-00](#)

Draft-kini-i2rs-fb-rib-yang-dm-00 (design team forming)

Policy drafts (will harmonize with)

- [draft-ietf-netmod-acl-model-01](#)
- [draft-shaikh-rtgwg-policy-model-00](#)
- [draft-yan-rtgwg-routing-policy-yang-00](#)
- [draft-hares-i2rs-bnp-info-model-01](#)

This topic is
being launched
at IETF93

Protocol Independent Data Models

(presented first at I2RS and TEAS
interims in December, 2014)

Protocol Independent Topologies (PIT)

Abstract topology

L1
topology

L2-
topology

L3
topology

PBR
Topology

TE
Topology

Service
topology

I2RS topologies

- [draft-chen-i2rs-topology-im-00.txt \(summary of PIT topologies\)](#)
- [draft-clemm-i2rs-yang-network-topo-02](#) (generic model)
- Draft-dong-i2rs-inventory-00.txt (generic model addition)
- [draft-zhang-i2rs-l1-topo-yang-model-00](#)
- [draft-dong-i2rs-l2-network-topology-00](#)
- [draft-clemm-i2rs-yang-l3-topo-00](#)
- [draft-dong-i2rs-l2-network-topology-00](#)
- [Draft-wang-i2rs-service-topo-dm-00](#)
- Draft-wang-i2rs-service-topo-sfc-dm-00
- Draft-dunbar-i2rs-discover-traffic-rules-00

Netmod

- [draft-liu-netmod-yang-abstract-topo-00](#)
- [draft-liu-yang-abstract-te-topo-00](#)
- [draft-bogdanovic-netmod-yang-model-classification-00](#)

I2RS 3/5/2015

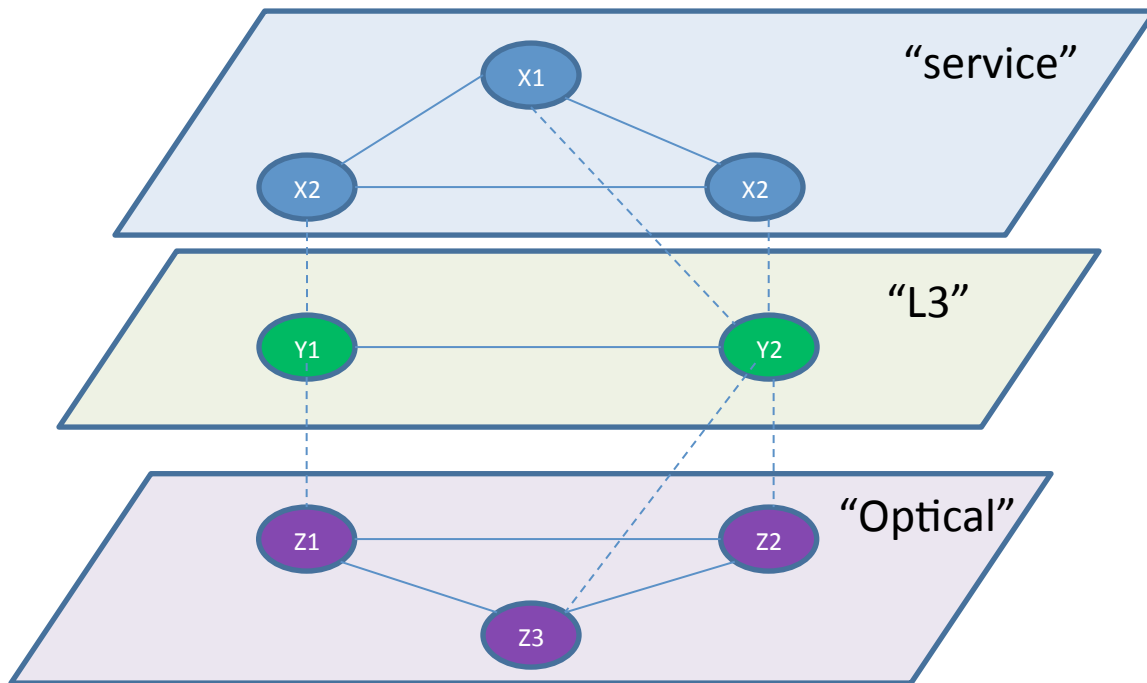
Willi have updates to all the I2RS PIT Drafts

2nd pass (April to July)

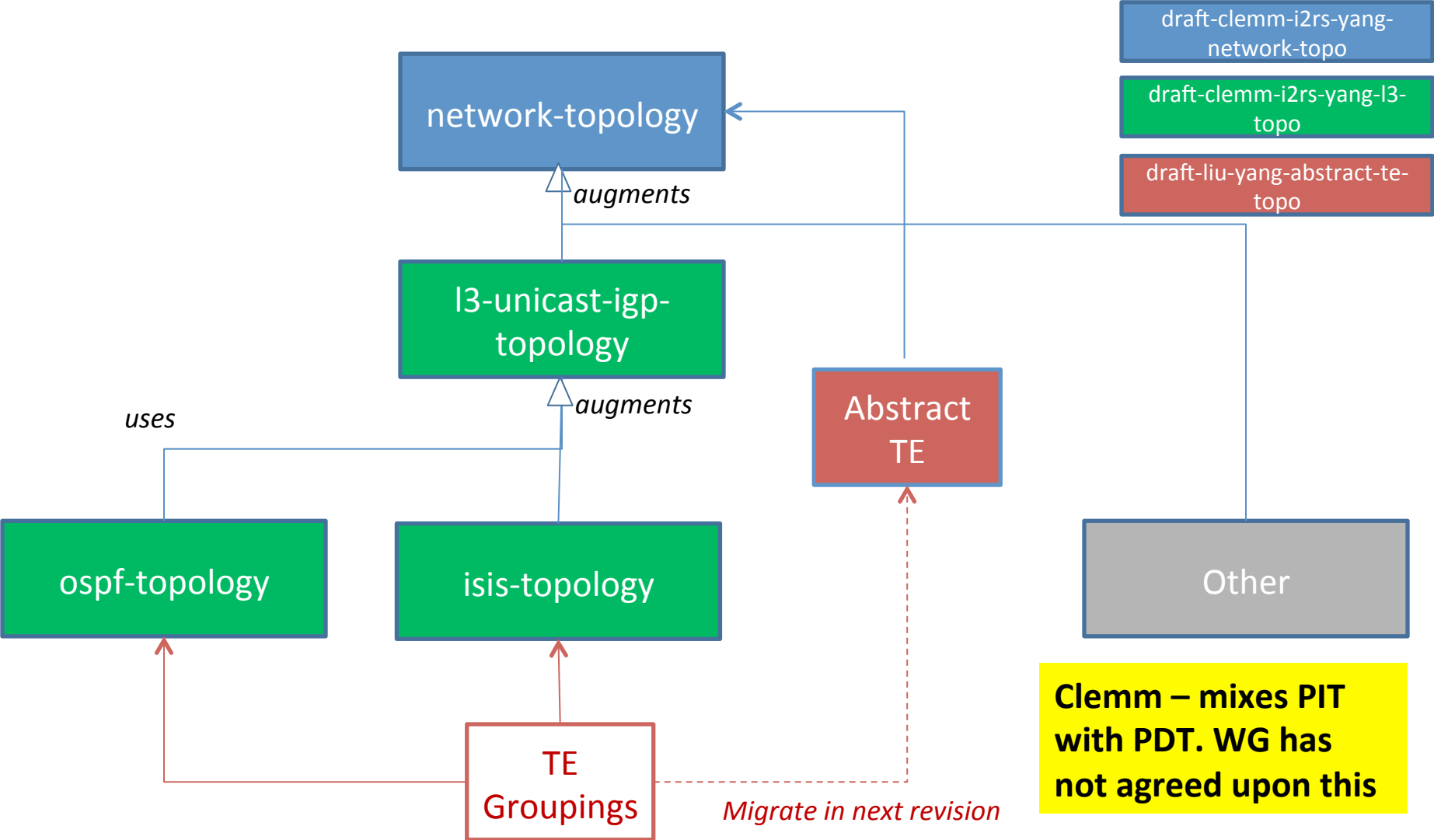
- TE drafts will be done in 2nd pass to allow TEAS to work
- **Service topology drafts** will include VPN service topologies

Clemm

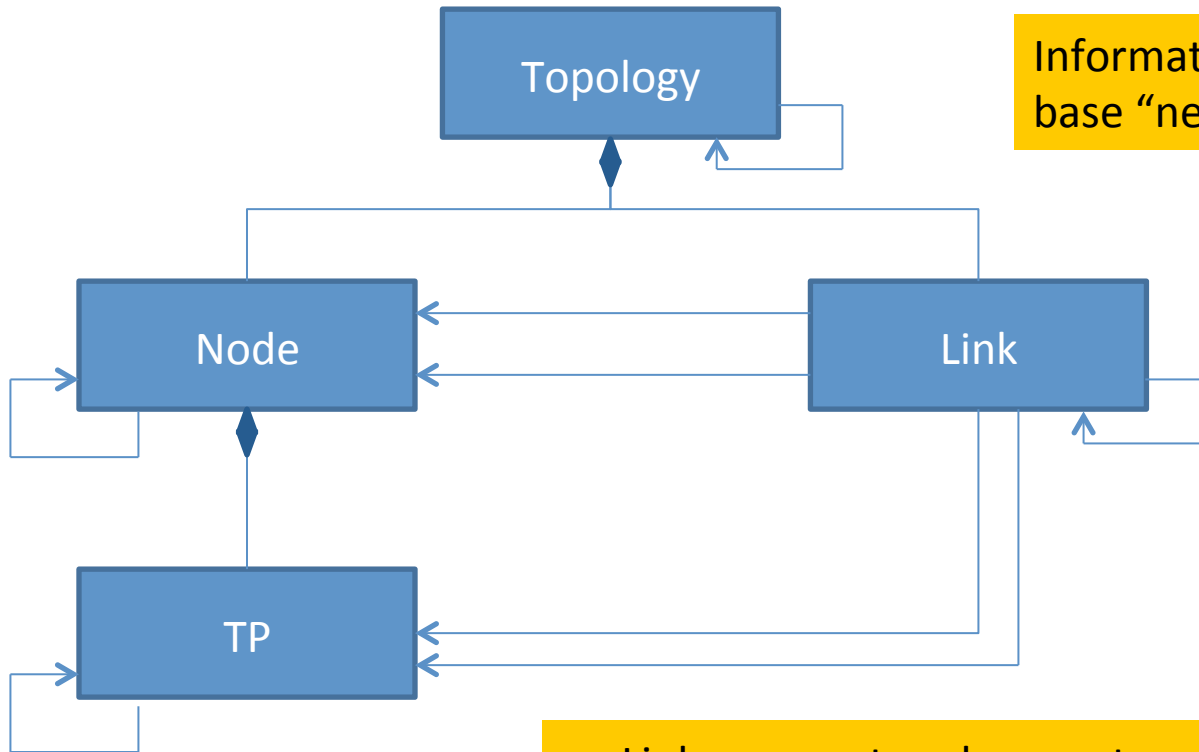
Horizontal and vertical layering



Clemm Data model “architecture”



Data model structure (Clemm)



- Links connect nodes, are terminated by termination points
- Topologies can refer to underlay topologies
- Links can refer to underlay links
- Nodes can refer to underlay nodes
- Unidirectional, point-to-point links represent non-ptp through hierarchies of nodes, links

Protocol Dependent Topologies (PDT)

Protocol

L1 topology

L2 Protocols

L3 Protocols

App Protocols

TRILL
topologies

ISIS
topologies

ALTO

802.1
topologies

BGP
topologies

?others

802.11
topologies

OSPF
topologies

802.15
topologies

SPRING
topologies

MPLS LDP
MPLS TE

**I2rs interim
feedback:**

There are
more
protocols
dependent
topologies
Than listed.

IMHO BESS

topologies are service
topologies using BGP
topologies – so they
are protocol
dependent

Protocol Dependent IM/DM

- I2RS proposals for Info Models:

[draft-wu-i2rs-isis-info-model-00](#) [i2rs/isis WG]

[draft-wu-i2rs-ospf-info-model-00](#) [i2rs/ospf WG]

[draft-hares-i2rs-bgp-im-02](#) [i2rs/bgp WG]

- Data models in I2RS

[draft-wang-i2rs-isis-dm-00](#) [i2rs/isis WG]

[draft-wang-i2rs-ospf-dm-00](#) [i2rs/ospf WG]

[draft-wang-i2rs-bgp-dm-00](#) [i2rs/IDR WG]

- Data models in Routing WGs

[draft-ietf-isis-yang-isis-cfg-01](#) [ISIS WG]

[draft-yeung-netmod-ospf-02](#) [OSPF proposed adoption]

[draft-zhdankin-netmod-bgp-cfg-01](#) [presented in IDR]

[draft-shaikh-idr-bgp-model-00](#) [Provider's OpenConfig]

- AFI/SAFI RIBS + multi-topology implies that protocol specific topologies are in routing protocols

Q&A