

draft-ietf-bess-evpn-etree-02.txt

A. Sajassi (Cisco), S. Samer (Cisco), W. Henderickx (Alcatel-Lucent), Jim Uttaro (AT&T), A. Isaac (Bloomberg), S. Boutros (Cisco), J. Drake (Juniper), J. Rabadan (Alcatel-Lucent), W. Lin (Juniper)

IETF 93, July 2015

Prague

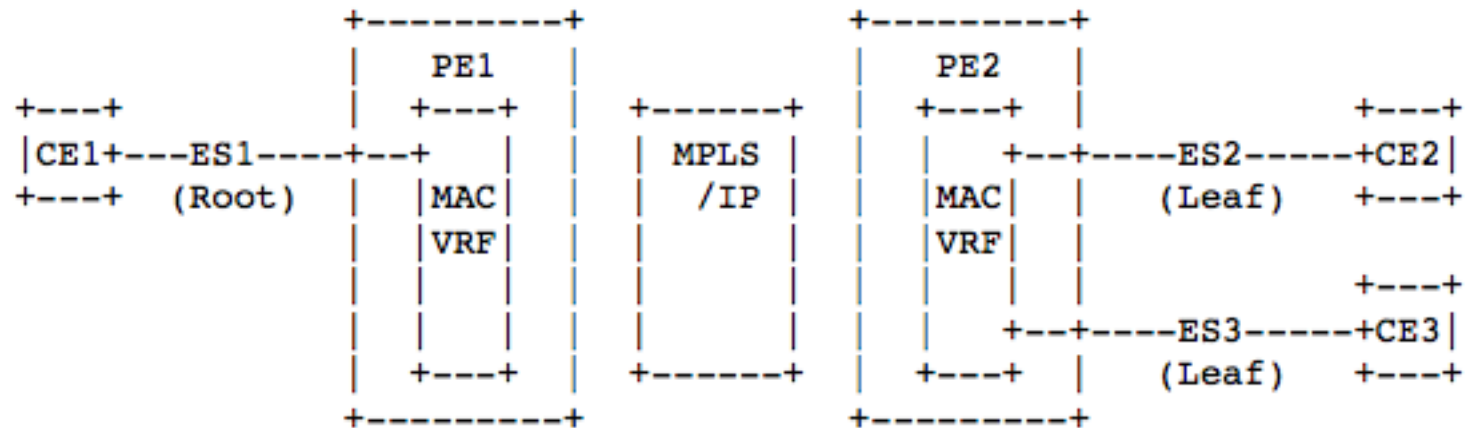
Changes since Rev01

- Following Section have changes significantly
 - Section 2 - Scenarios
 - Section 3 – Operation for EVPN
 - Section 5 – BGP Encoding

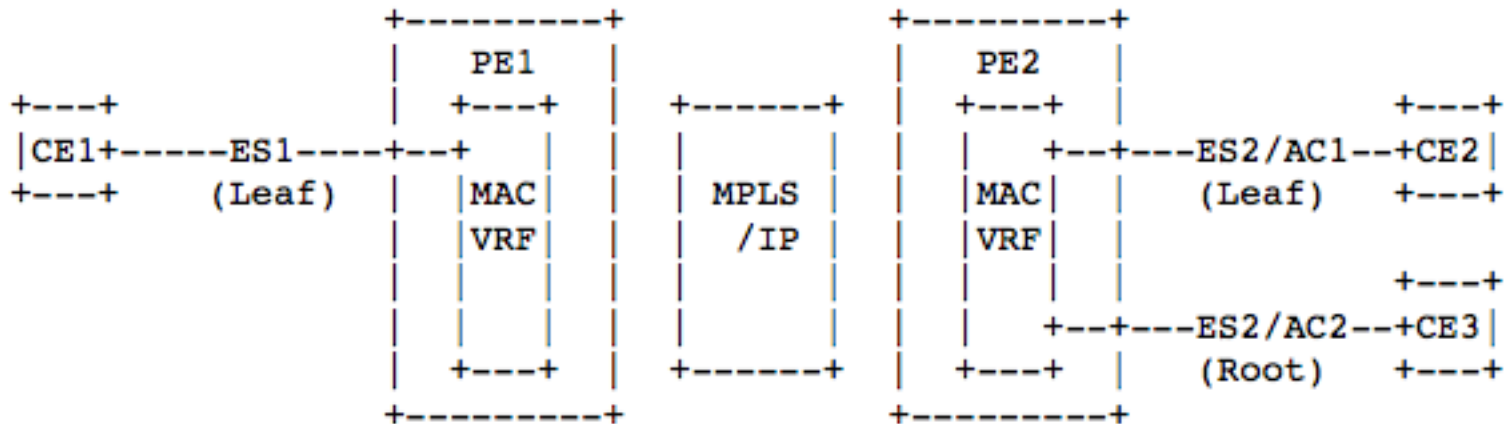
Section 2 - Scenarios

- Renamed/Clarified scenarios:
 - Leaf OR Root site(s) per PE -> same
 - Leaf AND Root site(s) per PE -> Leaf OR Root site(s) per AC
 - Leaf AND Root site(s) per ES -> Leaf or Root site(s) per MAC

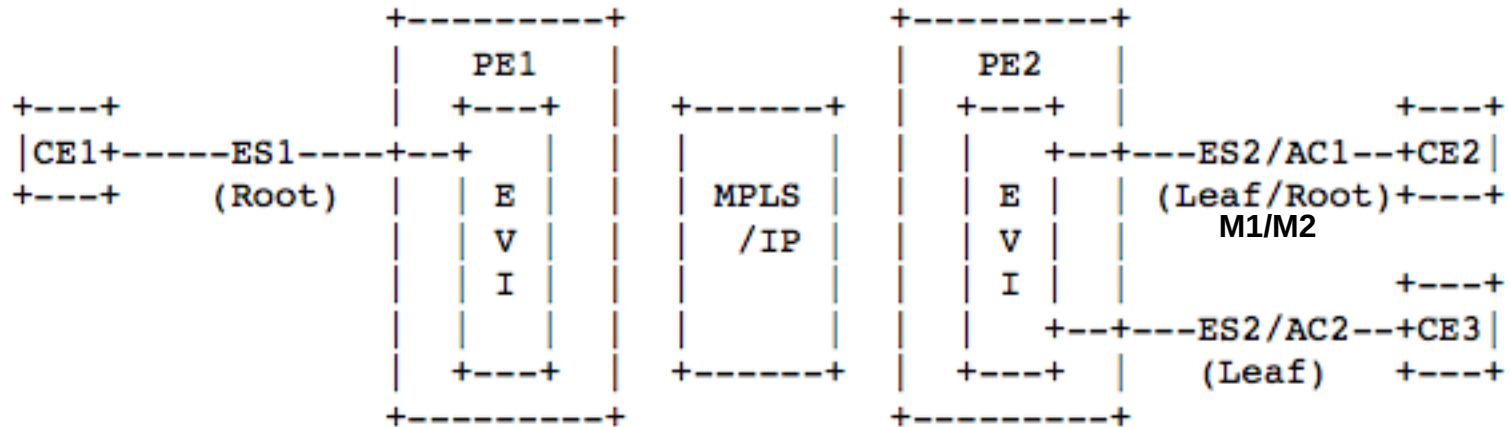
2.1 – Leaf or Root Site(s) per PE



2.2 – Leaf or Root Sites per AC



2.3 – Leaf or Root Site(s) per MAC



Section 3 – EVPN Operation

- 3.1 Known Unicast:
 - To provide ingress filtering for known unicast packets, a PE must indicate to other PEs, what kind of sites (Root or Leaf) its MAC addresses are associated with based on one of the following schemes:
 - 1) For single-homing scenarios of sec. 2.2 & 2.3, PE advertises the indication along with MAC routes

Section 3 – EVPN Operation – Cont.

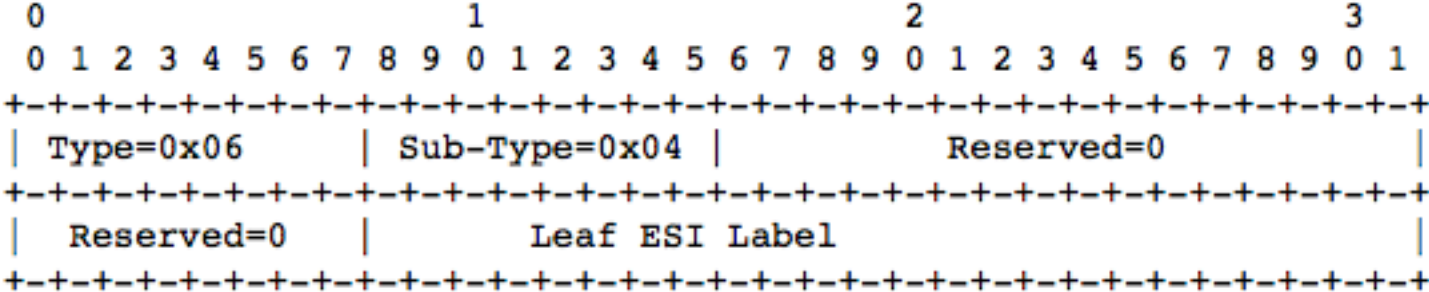
- 3.1 Known Unicast – Cont.
 - 2) for multi-homing of sec 2.2, PE advertises the indication along with Ethernet AD per EVI routes
 - What happens when two PE advertise different indication for the same AC <ES,VLAN> ?
 - 3) for multi-homing of sec 2.3, PE advertises the indication along with MAC route

Section 3 – EVPN Operation – Cont.

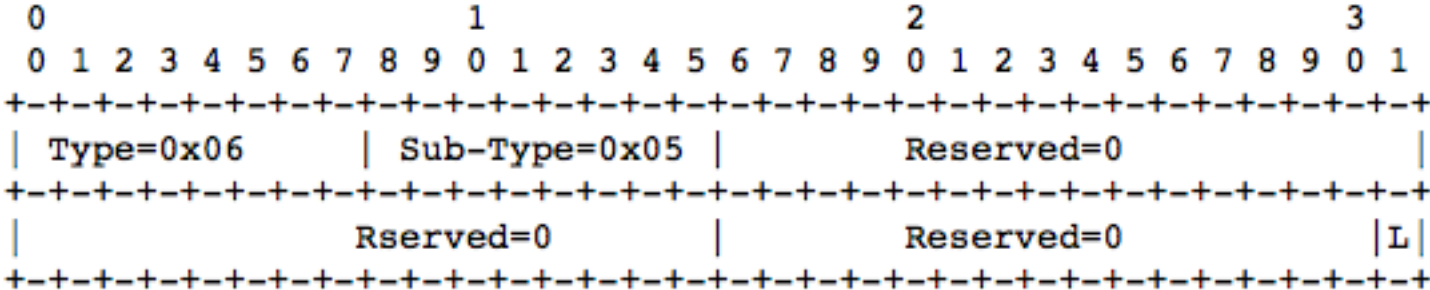
- 3.2 – BUM Traffic
 - BUM traffic originated from a single-homed site on a leaf AC (Add a Leaf ESI MPLS label per PE !)
 - BUM traffic originated from a single-homed site on a root AC
 - BUM traffic originated from a multi-homed site on a leaf AC (Add a Leaf ESI MPLS label per ES – under discussion)
 - BUM traffic originated from a multi-homed site on a root AC

BGP Encoding

Leaf ESI Label Extended Community



E-TREE Extended Community



Conclusion

- Need to finalize the approach for bullet-2 of section 3.2 (BUM traffic originated from a multi-homed site on a leaf AC)
- After this, the draft should be ready for WG LC