

DHCP4o6 Bulk & Active Leasequery

draft-cui-dhc-dhcp4o6-bulk-active-leasequery-01

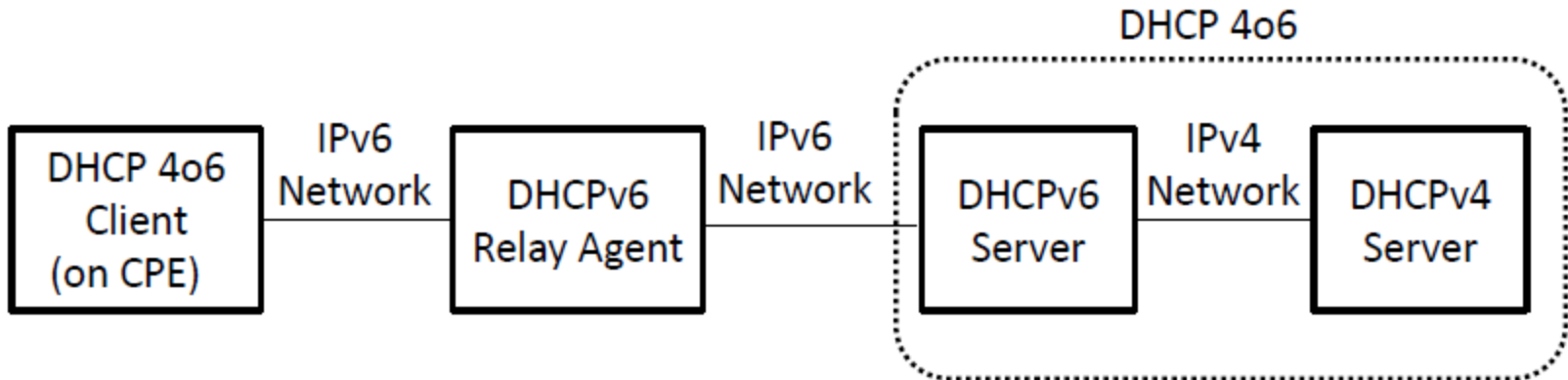
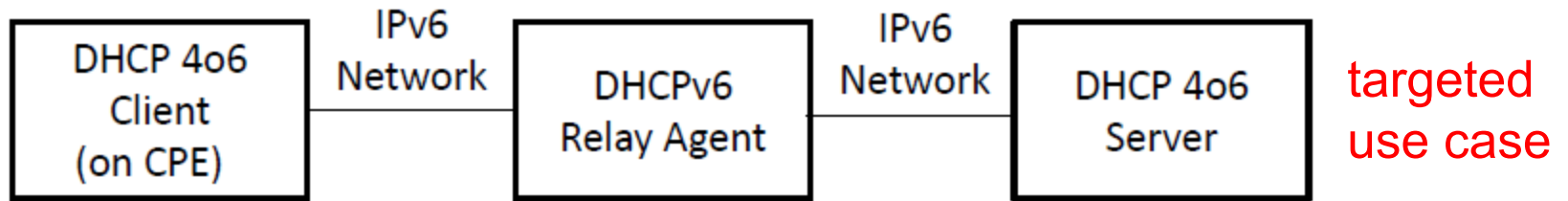
Yong Cui, Zilong Liu, Cong Liu, Yiu Lee

Presenter: Tianxiang Li

Motivation

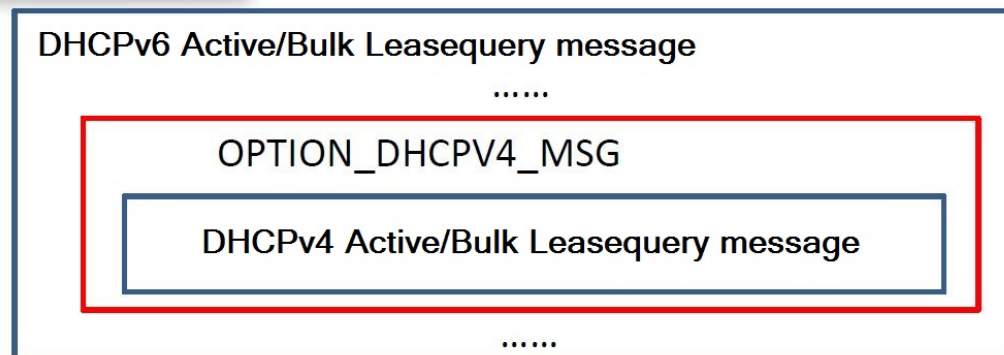
- **DHCPv4 over DHCPv6** [RFC7341] provides a mechanism for obtaining **IPv4 configuration** dynamically in IPv6 networks.
- In some situations, may also contain **IPv6 information**.
 - E.g. Source address option
- **Current protocols:**
 - DHCPv4/DHCPv6 Active/Bulk Leasequery can only carry DHCPv4/DHCPv6 information **separately**.
 - DHCPv4/DHCPv6 information cannot be **correlated** (no DUID).
- **Requirement:**
 - Provide Active/Bulk Leasequery for DHCP4o6, to carry related DHCPv6 lease information along with the DHCPv4 lease information.

Applicability

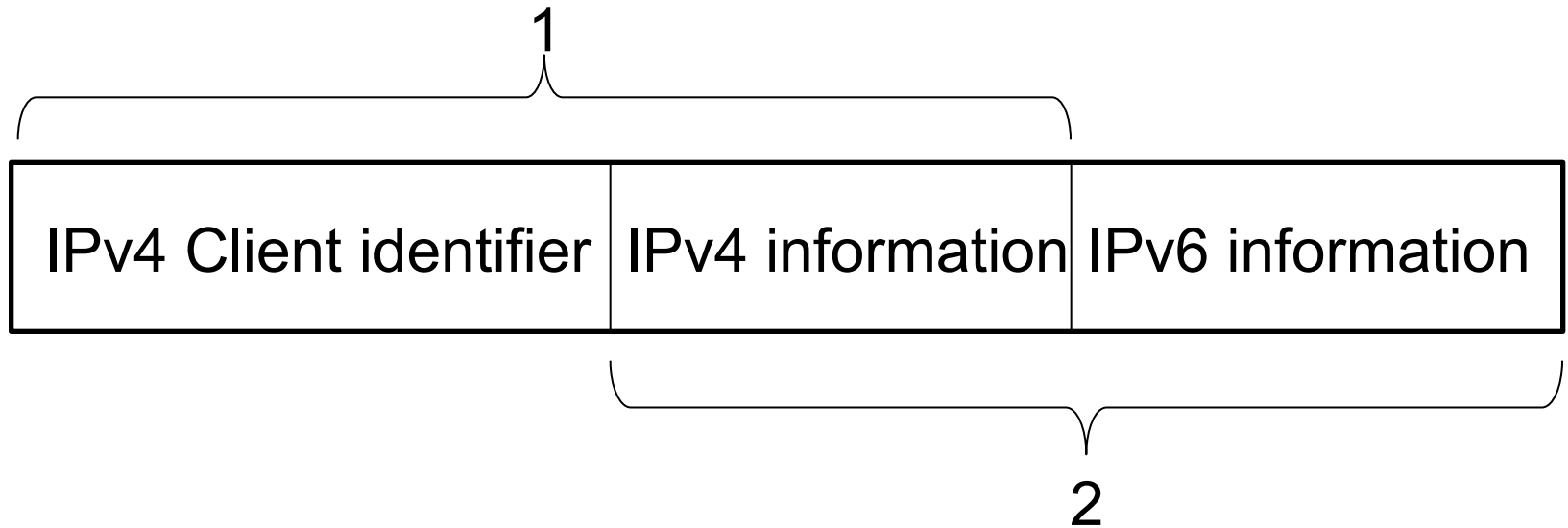


Solution

- Extend DHCPv6 Active/Bulk Leasequery to also carry DHCPv4 Active/Bulk Leasequery information
- Similar architecture to DHCP4o6
 - Using OPTION_DHCPV4_MSG (RFC7341) as container
 - DHCPv6 Active/Bulk Leasequery messages contains OPTION_DHCPV4_MSG option
 - OPTION_DHCPV4_MSG option contains DHCPv4 Active/Bulk Leasequery message
 - No new messages/options defined



DHCP4o6 server behavior



- 1. Server first gets IPv4 lease **information** according to the **client identifier** in the DHCPv4 leasequery message
- 2. Server gets **IPv6 information** according to the IPv4 information

Next Step

- Any comments?
- Comments and reviews are appreciated.
- Thank you