

Address Selection for DMM

draft-liu-dmm-address-selection-02

Vic Liu

Hui Deng

Dapeng Liu

Xinpeng Wei

Juan Liu

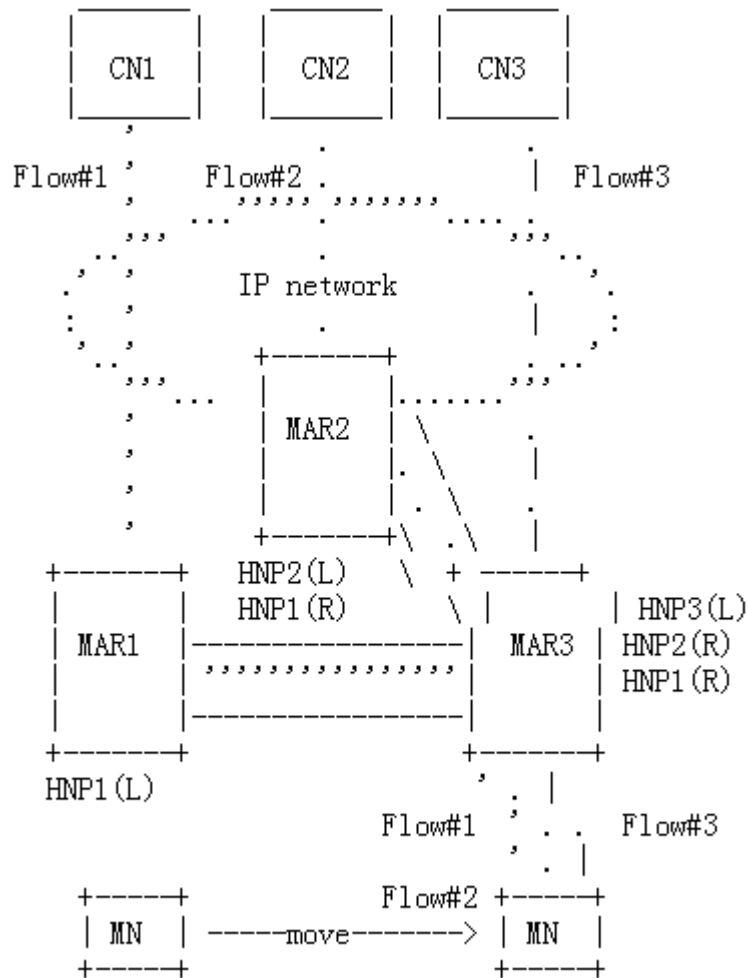
Background

- To achieve routing optimization for specific application traffic, the basic idea is to make the traffic using IP address(s) anchored at current anchor, so that down link traffic from CN to MN will go directly to MN.

Definition of New Prefix Types

- Local home network prefix
 - The prefix is allocated and advertised by current router which the MN attaches to.
- Remote home network prefix
 - The prefix is allocated by another router instead of the router that the MN currently attaches to.

An example of mobility procedure



L: Local home network prefix
R: Remote home network prefix
MAR: Mobile Access Router

Questions?