

# Residence Time Measurement

draft-mirsky-mpls-residence-time-07

Greg Mirsky

Stefano Ruffini

Eric Gray

Alexander Vainshtein

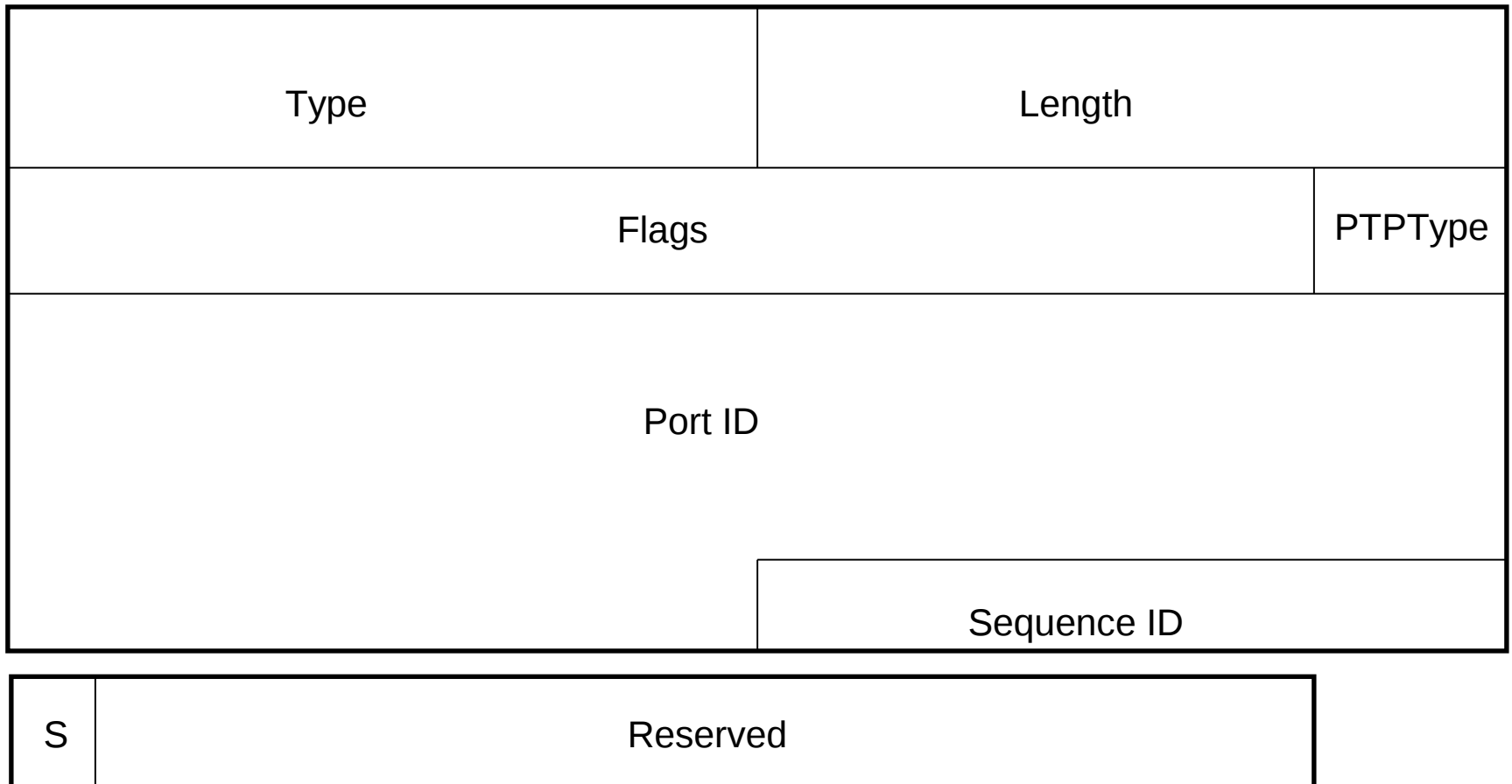
John Drake

Stewart Bryant

IETF-93 July, 2015, Prague

# Update from -05

- Review by Loa Andersson
- Text tightening and clarification
- Updated PTP sub-TLV and Flags field formats

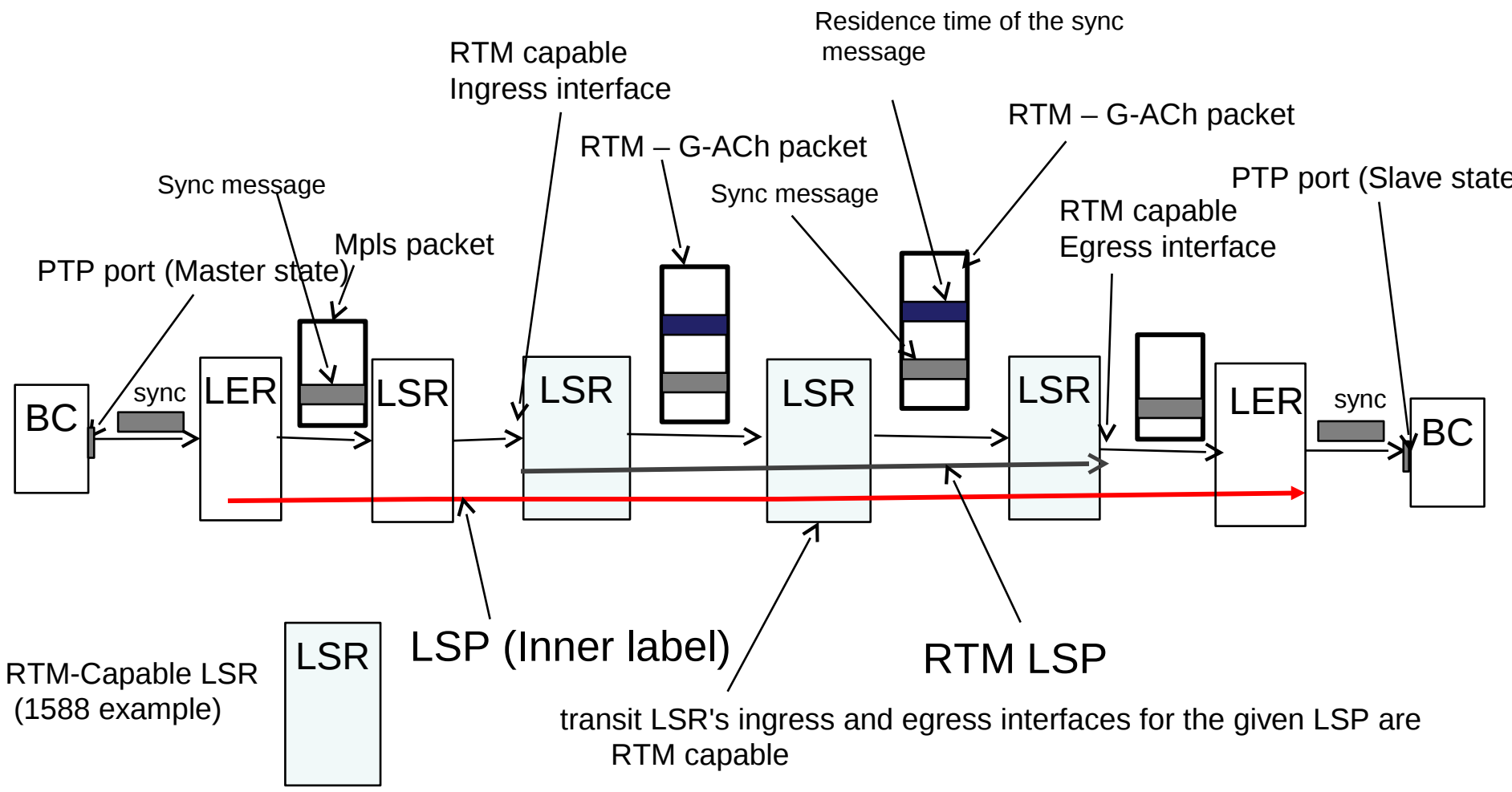


# Update from -06

- Reviewed by MPLS-RT

Many thanks to Lucy Yong, Eric Osborne, Markus Jork and Yaakov Stein, who volunteered their time and expertise

- Changed scope – only RSVP-TE signaled LSPs are in scope
- We've tried to overcome limitations of ASCII-art to express in Figure 5 the following ...



# Next steps

- Ready for WG Adoption
- Comments are always welcome