

TRAM

draft-martinsen-tram-turnbandwidthprobe-00

July 2015

IETF 93

Authors: Pål-Erik Martinsen, Dan Wing

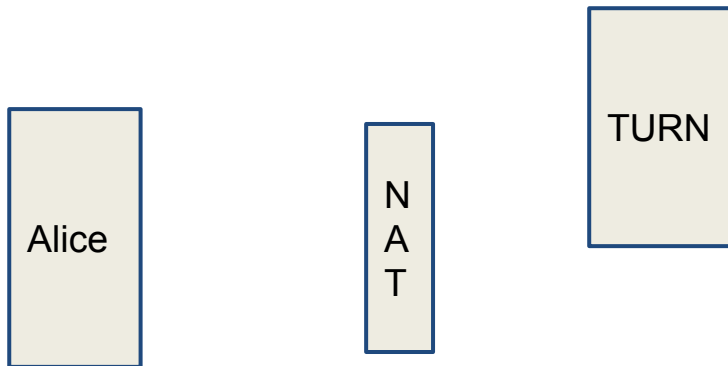
Presenter : Pål-Erik Martinsen

Intellectual Property Rights

- Cisco has declared IPR
(<https://datatracker.ietf.org/ipr/2613/>)

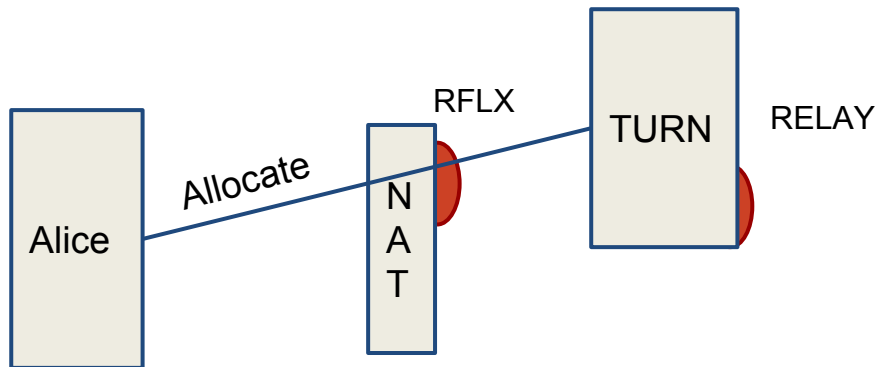
How

Alice wants to test her network



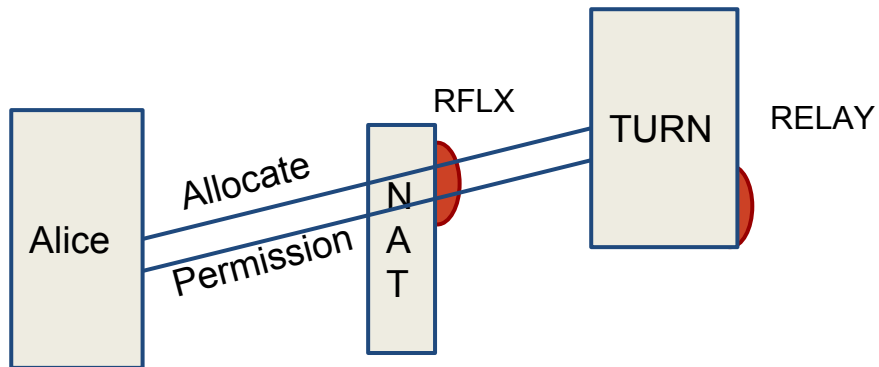
How

Allocates a RELAY address, and learns her RFLX address



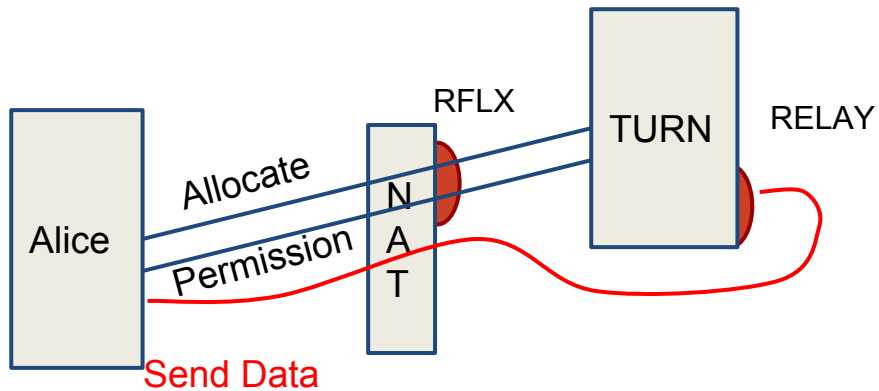
How

Set permissions on the allocated RELAY address
so the TURN server can receive packets from the RFLX address



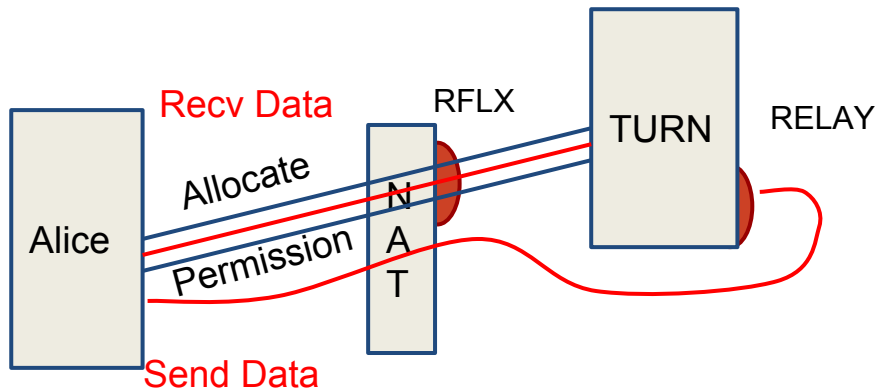
How

Send probe data packets (Bigger and bigger, faster and faster, you choose) to the allocated TURN RELAY address.



How

Receive you probe data packets and determine bandwidth, delay and possible bufferbloat between the client and the TURN server.



Why

- Simple reuse of TURN infrastructure to get a hint of network capabilities before the call. (Or generic probing?)
- No interop issues, client can determine probing packet format itself. What it sends it gets.
- Have been used successfully in products a couple of years now.

Issues

- Probing packets underspecified. Should the draft give more guidance?
- More guidance on how to send the probes? (Bufferbloat and so on)
- Draft is marked as informational. No interop needed to support this?

Next

- Part of a framework or merge with other drafts? (Discussion will happen later)