

LISP Control Plane integration with NSH draft-ermagan-lisp-nsh-00

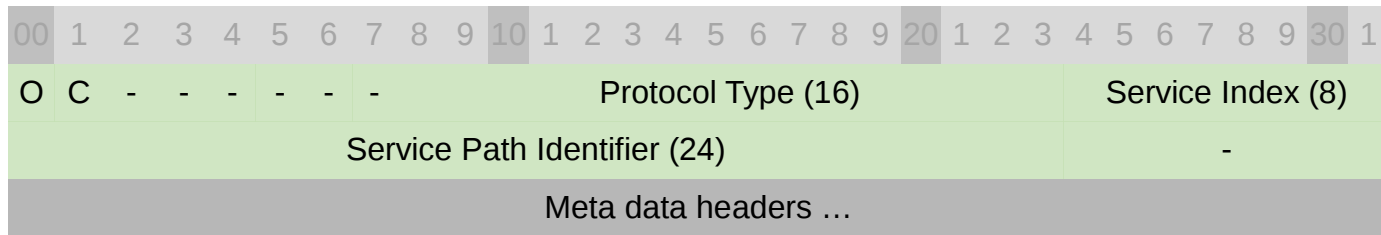
Vina Ermagan, Paul Quinn, Darrel Lewis, Fabio Maino, Florin Coras

vermagan@cisco.com

IETF 94 – Yokohama – LISP WG – November 2015

Service Function Chaining Today

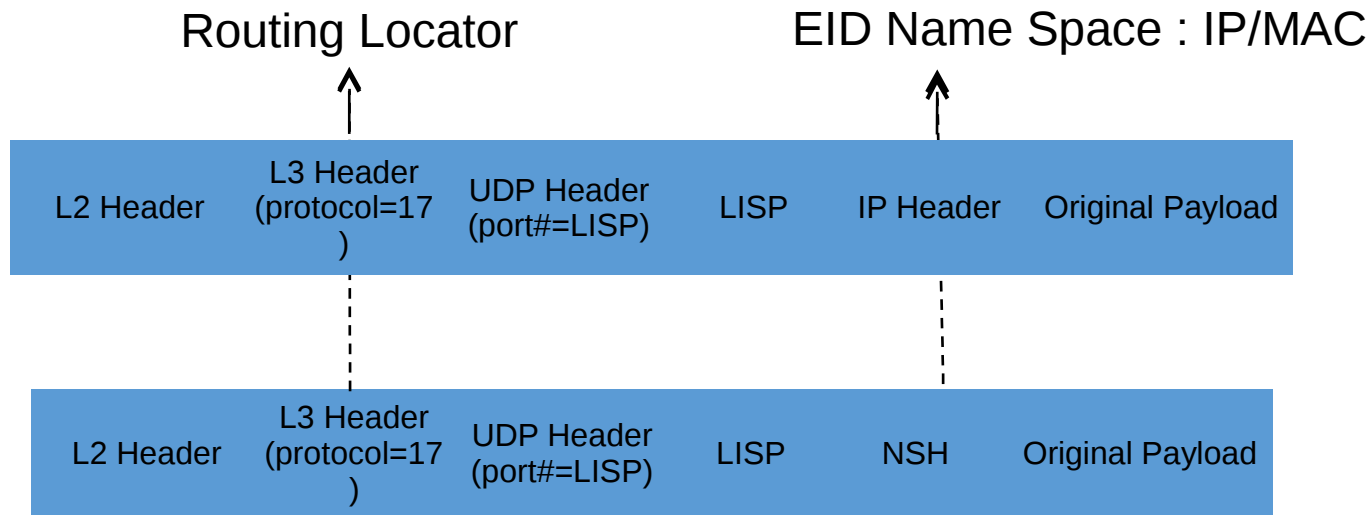
- Service Chaining with NSH



- Static provisioning of entire path is cumbersome
- A control protocol can dynamically drive next hop location based on NSH header

LISP Control Plane with NSH

- Data plane: using LISP-GPE/VXLAN-GPE with NSH
- LISP control plane for dynamically driving next hop location for service path



SFC with LISP control plane

- Map-Request
 - EID: Service Path LCAF (SPI, SI)
- Map-Reply
 - EID: Service Path LCAF (SPI, SI)
 - RLOC(s): locators (w/p) for next hop SFF

