

A YANG model to manage the optical interface parameters for an external transponder in a WDM network

[draft-dharini-netmod-dwdm-if-yang-00](#)

Former draft-dharini-netmod-g-698-2-yang-04

D. Hiremagalur, Ed. Juniper L. Fang, Microsoft

G. Grammel, Juniper G. Ratterree, Microsoft

G. Galimberti, Cisco

R. Kunze, Deutsche Telekom

K. Lam, Alcatel-Lucent

November 2015

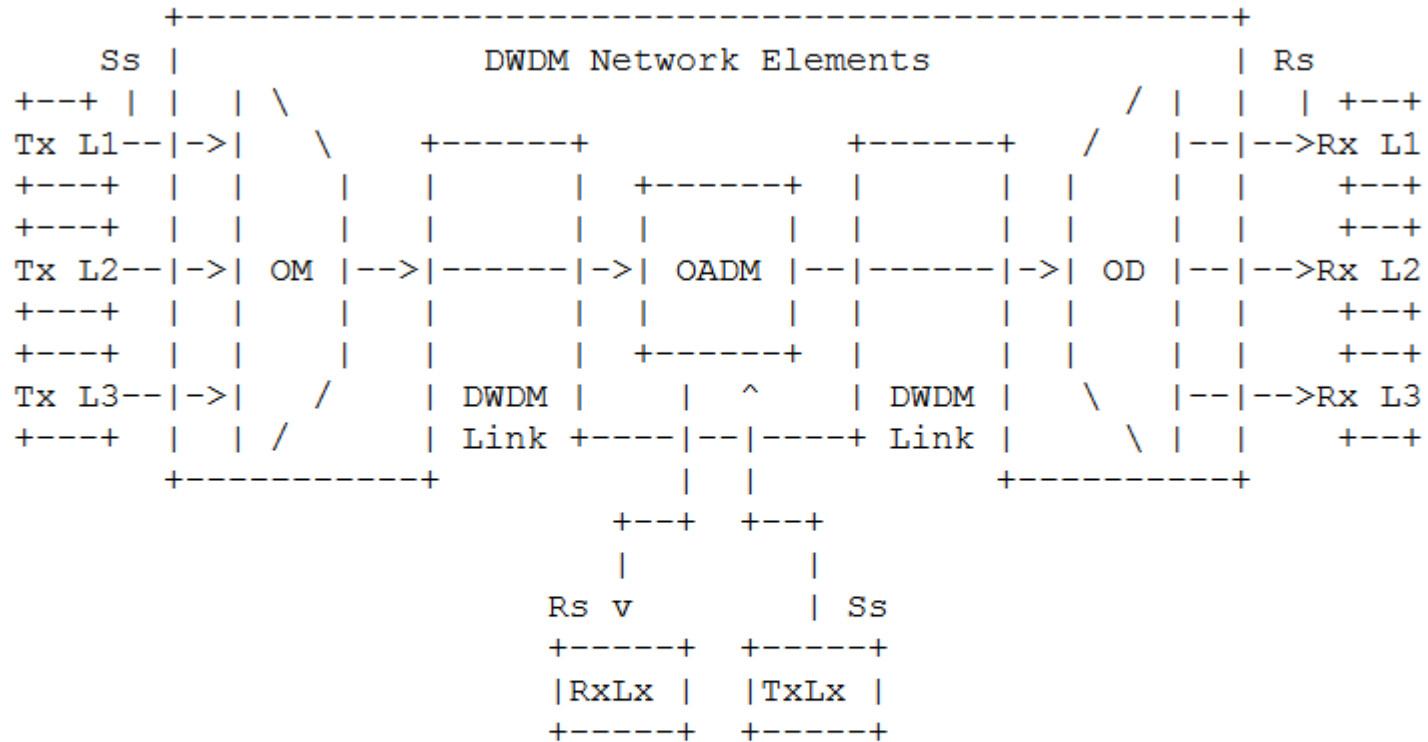
IETF 94 -Yokohama



Document History

- IETF 90: First Draft presented to netmod WG
- IETF 91: Align yang model with SNMP draft
- IETF 92: incorporate Yang doctor's suggestions
- IETF 93: Alignment with discussions at IETF 92
- IETF 93: replaced draft-dharini-netmod-g-698-2-yang-04 by [draft-dharini-netmod-dwdm-if-yang-00](#) for a more generic approach

External Transponder Model



Ss = reference point at the DWDM network element tributary output
 Rs = reference point at the DWDM network element tributary input
 Lx = Lambda x
 OM = Optical Mux
 OD = Optical Demux
 OADM = Optical Add Drop Mux



Motivation & Problem statement

Problem:

- External Transponders used in several applications
- Interface model for colored side of transponders not defined

Motivation:

- Provide a standard way to operate wavelength Interfaces with netconf/yang

Status

- Yang Module “ietf-ext-xponder-wdm-if ” is defined as an extension to ietf interfaces.
- Changes since IETF93
 - ITU-T SG15 agreed on the use case: added use case aligned with draft-dharinigert-ccamp-DWDM-if-Imp-00
 - Authors extended the OTN Information Model of G.874.1 to include power measurement and control.
 - Modified wavelength central frequency definition
 - Fixed minor syntax issues

Next Steps

- Keep alignment with related effort in CCAMP
- Focus on operations aspects