

TRILL Smart Endnode

draft-ietf-trill-smart-endnode-02.txt

Radia Perlman

Fangwei Hu

Donald Eastlake 3rd

Kesava Vijaya Krupakaran

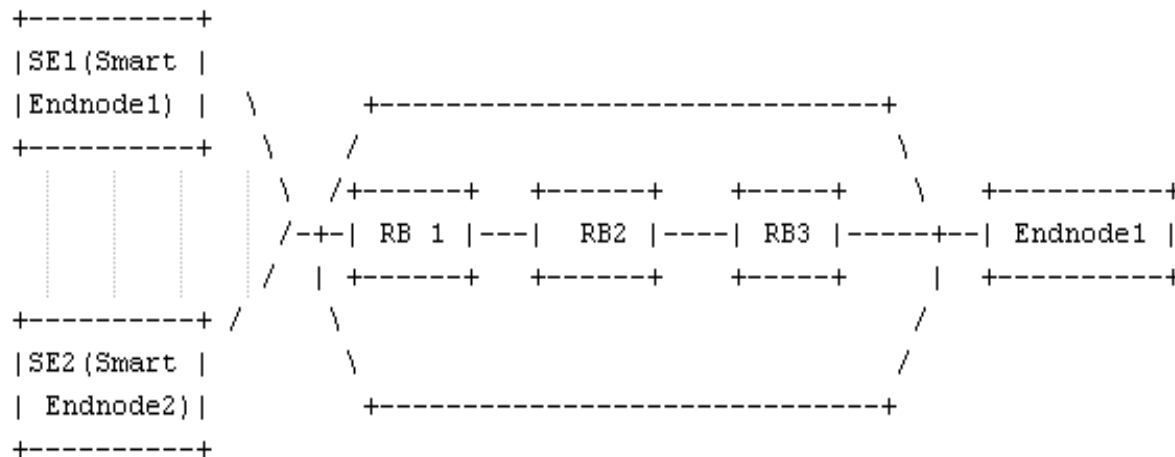
Ting Liao

Motivation

- The motivation for this proposal
 - Save endnode learning table (MAC, RB) space in the edge RBridges
 - Quickly refresh the node table.
 - Supports fine grained label aware end station.
- It was adopted as work group draft in IETF 91st meeting

Basic Overview

- Edge RBridge receives encapsulated TRILL Data packets from Smart Endnodes and sends them to Smart Endnodes.
 - Endnode notifies Edge RBridge that it is Smart, what end MAC address(es) it handles, etc.
 - Edge RBridge notifies Smart Endnodes that it supports them, what distribution tree to use, etc.



Basic Overview(cont.)

- Data plane learning is moved to End Station. End Station could also use some directory based scheme.

Changes from 01 version

- Add a figure to show the smart endnode scenario.
- Clarify that "Smart-Hellos" are carried through native RBridge channel messages.
- Add a figure for the multi-homing scenario.
- Correct some editor's errors.

Next Step

- Ready for WG last call?

Thanks!