

Enhanced mobility anchoring wt

H A Chan, S. Jeon, J. Lee, F. Templin, X. Wei

changes

- ◆ draft-chan-dmm-distributed-mobility-anchoring-07
 - added description of distributed anchoring: configurations, behaviors, and message information
 - reorganized mobility solutions using distributed anchoring
- ◆ (addressed comments from prior meetings)

Changes in 07 from 06

◆ 3. Distributed anchoring

➤ 3.1. Distributed anchoring configurations

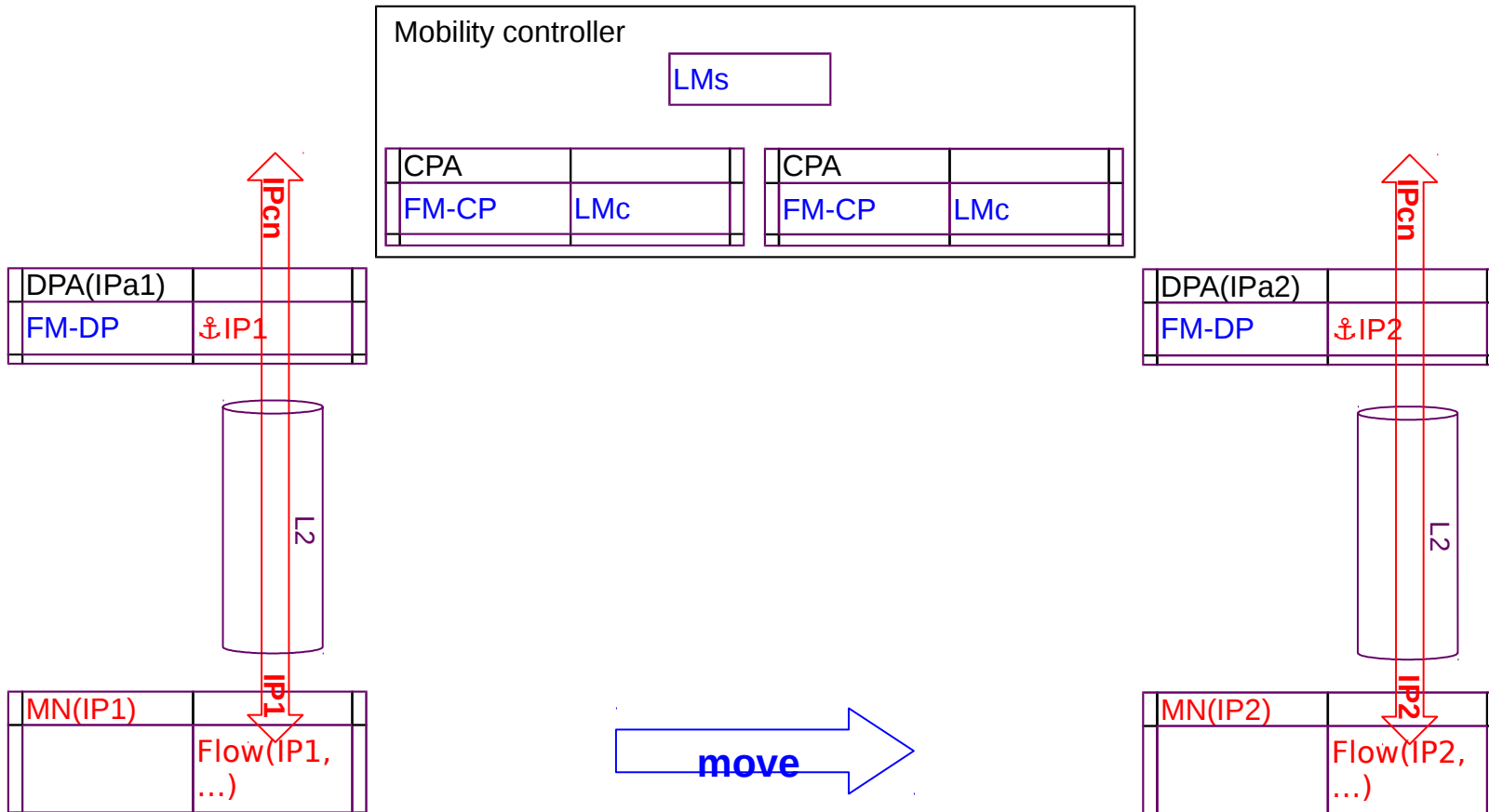
➤ 3.2. Distributed anchoring behaviors and message information elements

- 3.2.1. Location management behaviors and message information elements
- 3.2.2. Forwarding management behaviors and message information elements

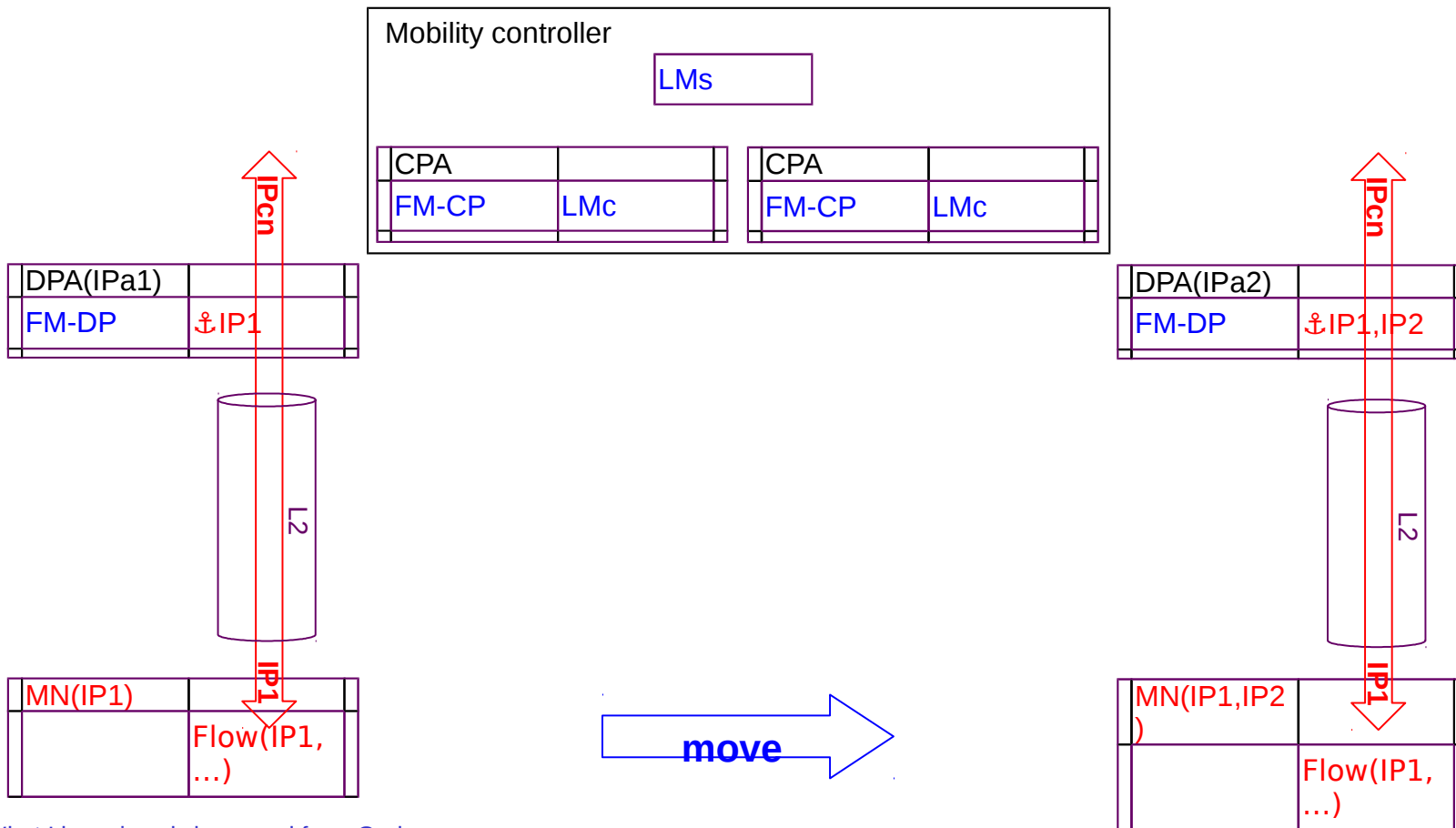
Changes in 07 from 06

- ◆ 4. Example mobility solutions with distributed anchoring
 - 4.1. IP mobility support only when needed
 - 4.1.1. Not needed: Changing to the new IP prefix/address
 - 4.1.2. Needed: Providing IP mobility support
 - 4.2. IP prefix/address anchor switching to the new network
 - 4.2.1. Centralized control plane
 - 4.2.2. Hierarchical network
 - 4.2.3. Hierarchical network with anchoring change

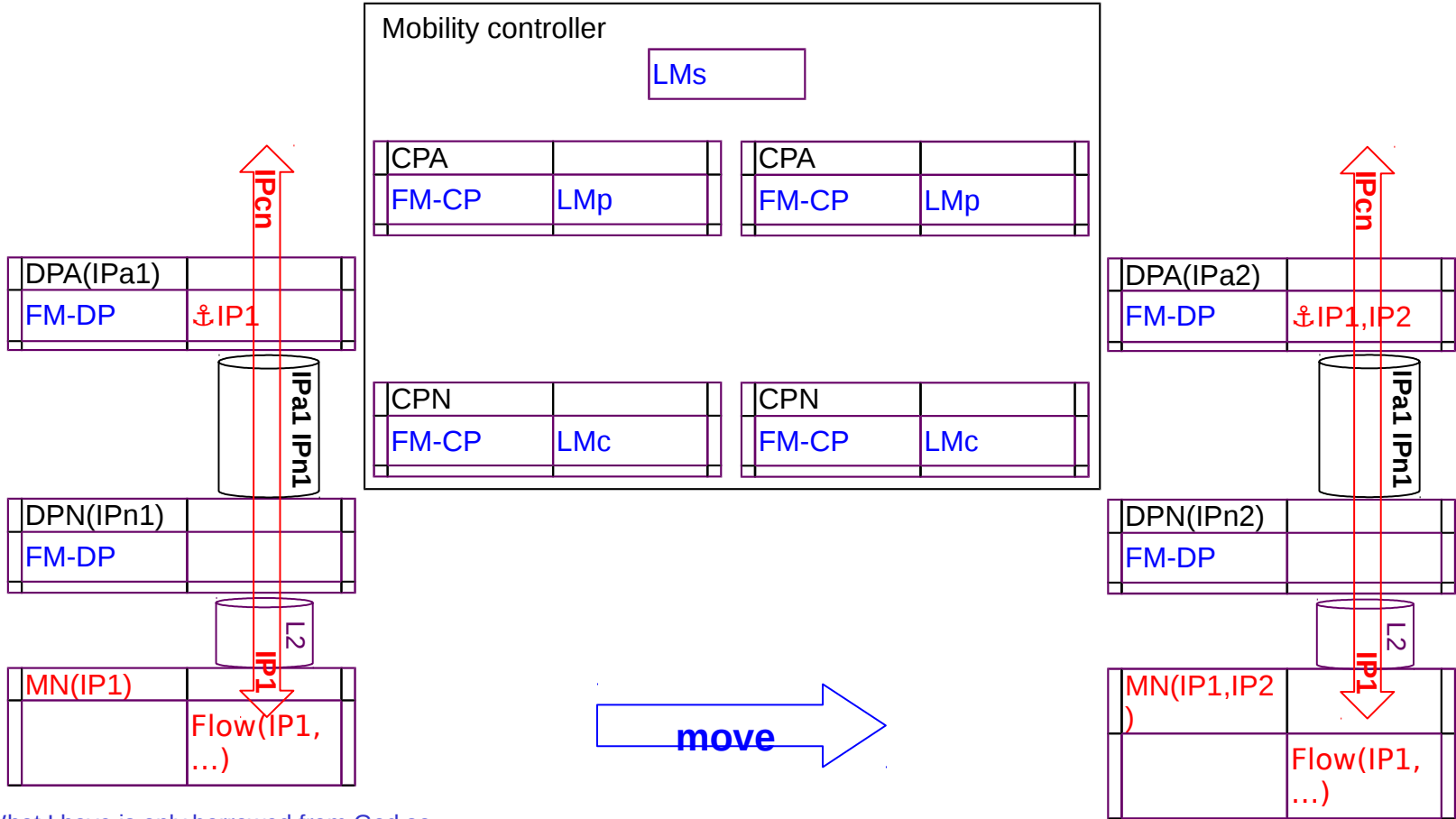
Mobility support not needed: change to anchor in new network



IP mobility support needed: move IP anchoring to new network

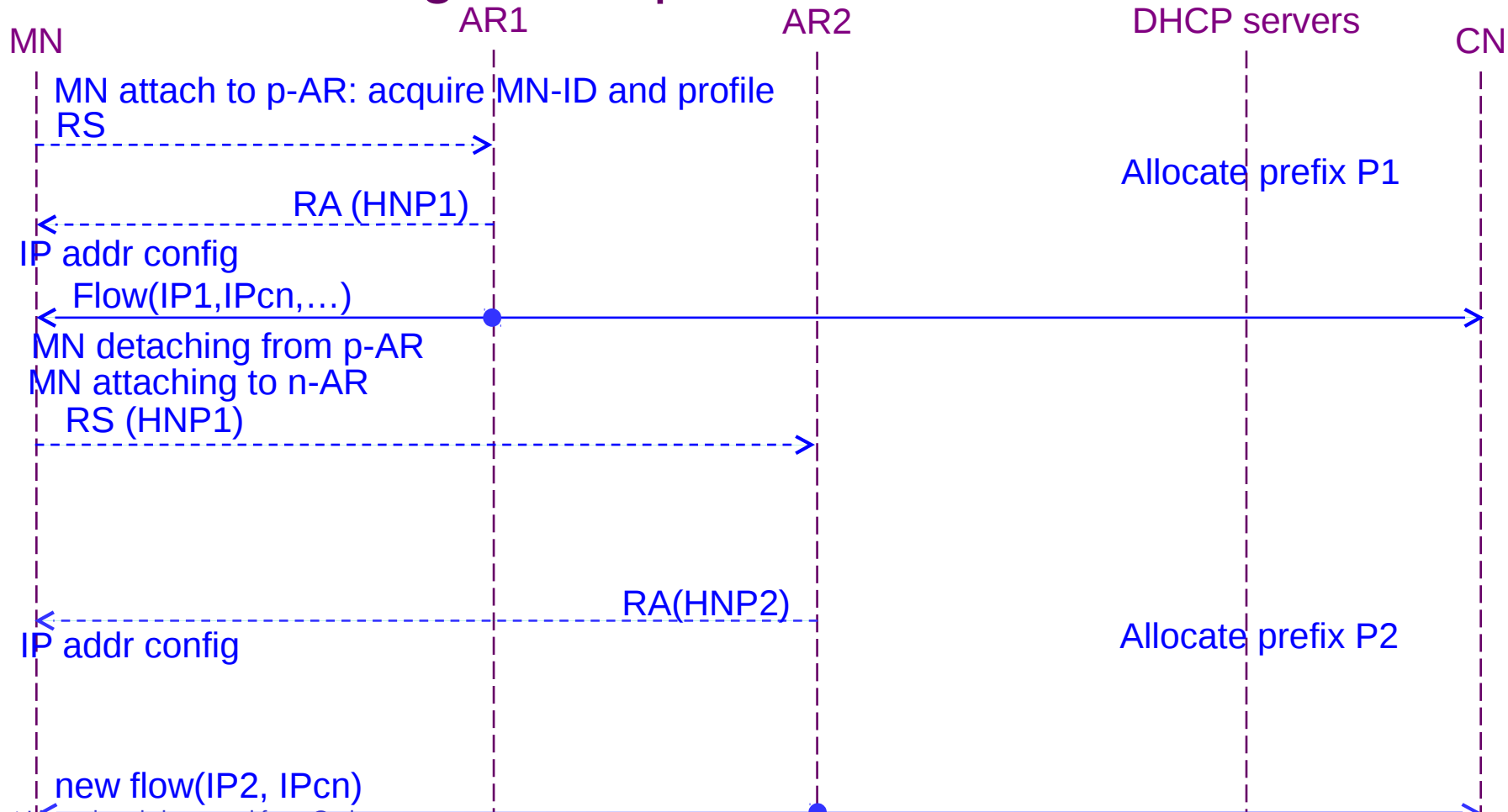


Move IP anchoring to new network with hierarchy



Backup Slides

Change to IP prefix of new network



Move IP anchoring to new network

