

# draft-mortensen-dots-architecture-00

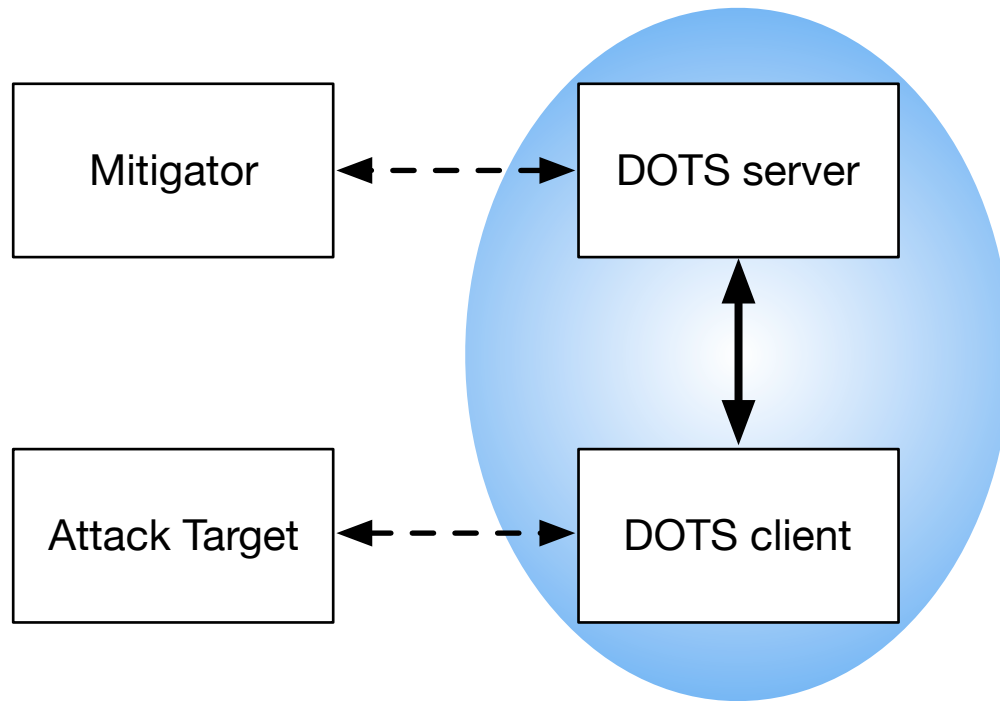
## IETF 95

Andrew Mortensen  
Flemming Andreassen  
Nik Teague  
Tiru Reddy  
Chris Gray  
Rich Compton

# Overview

- Roles and relationships in a DOTS architecture
- Architecture scope
- Preconditions for signaling
- Establishing and maintaining signaling sessions
- Modes of signaling

# Basic Architecture

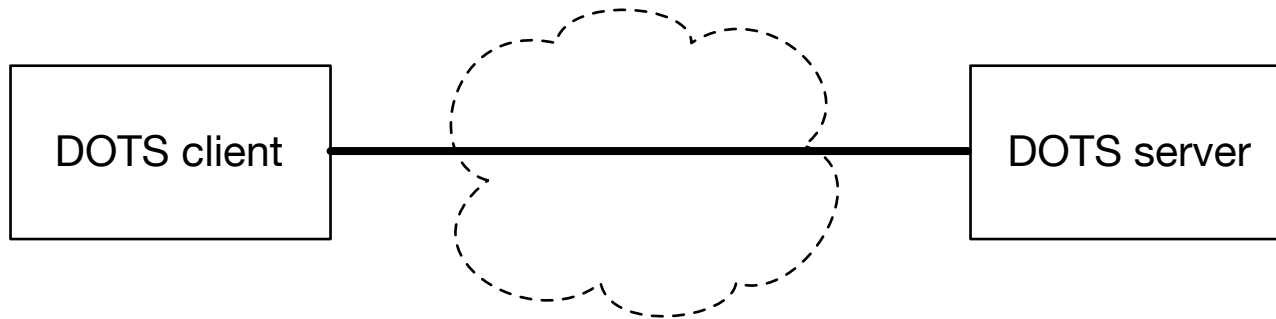


# Establishing Signaling Sessions

- Client connects to server over signal channel and data channel
- WG feedback requested on value of DOTS service discovery
  - DNS SRV, DNS-SD

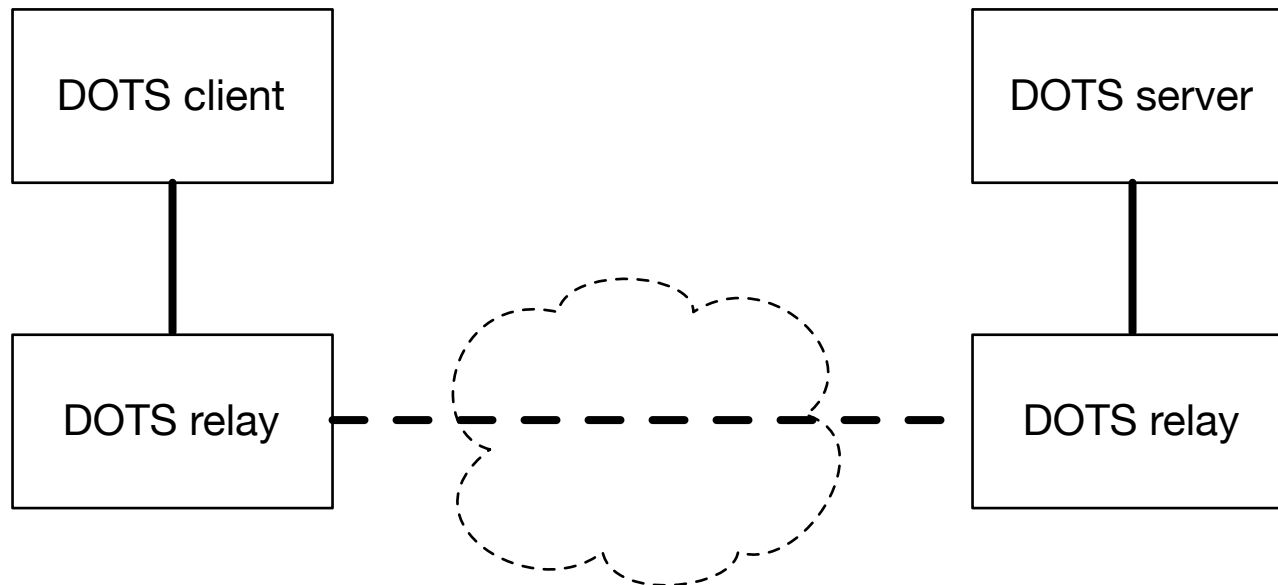
# Direct signaling

- Simplest form, no relays in path



# Relayed signaling

- Signal bridging and aggregation

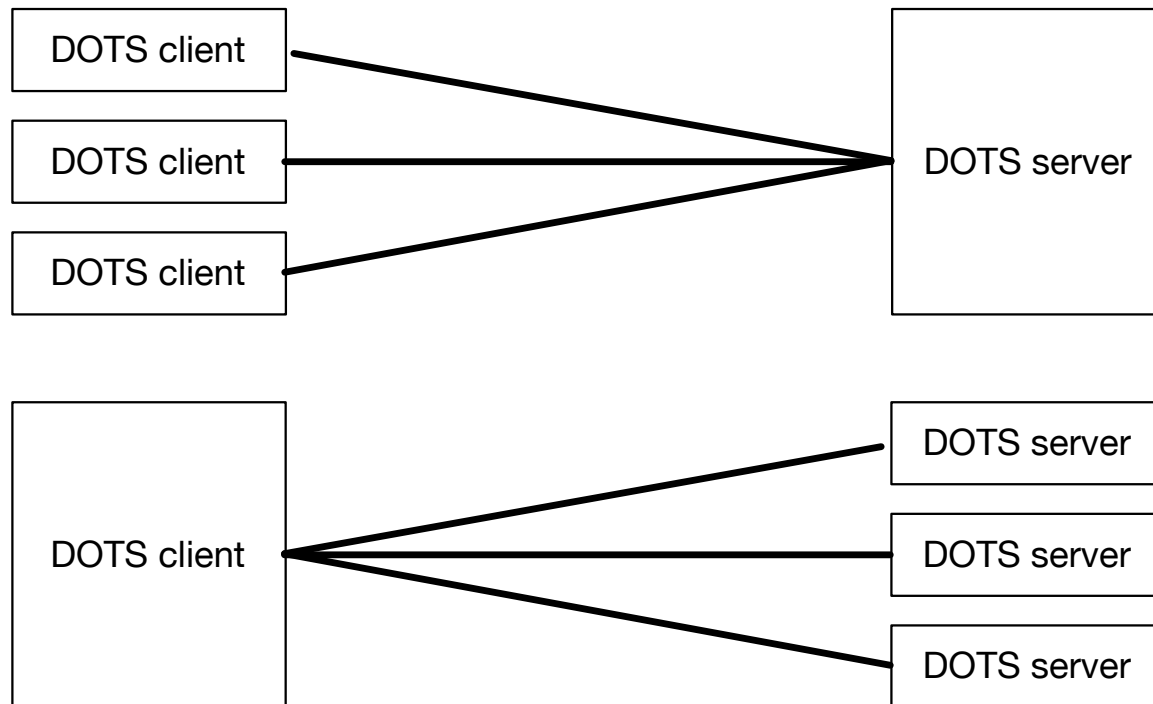


# Relayed Signaling Issues

- Operational complexity
- End-to-end signaling with relay in path
- Client awareness of relayed signaling?
- Privacy considerations
- Feedback needed

# DOTS agent relationships

- Multiple DOTS clients for one DOTS server
- Multi-homed DOTS client





# Multi-homed DOTS client

- Coordinating multiple provider responses to a mitigation request?
- Feedback needed on M:N cases in general

# Additional signaling modes

- Redirected signaling
- Recursive signaling
- Feedback needed

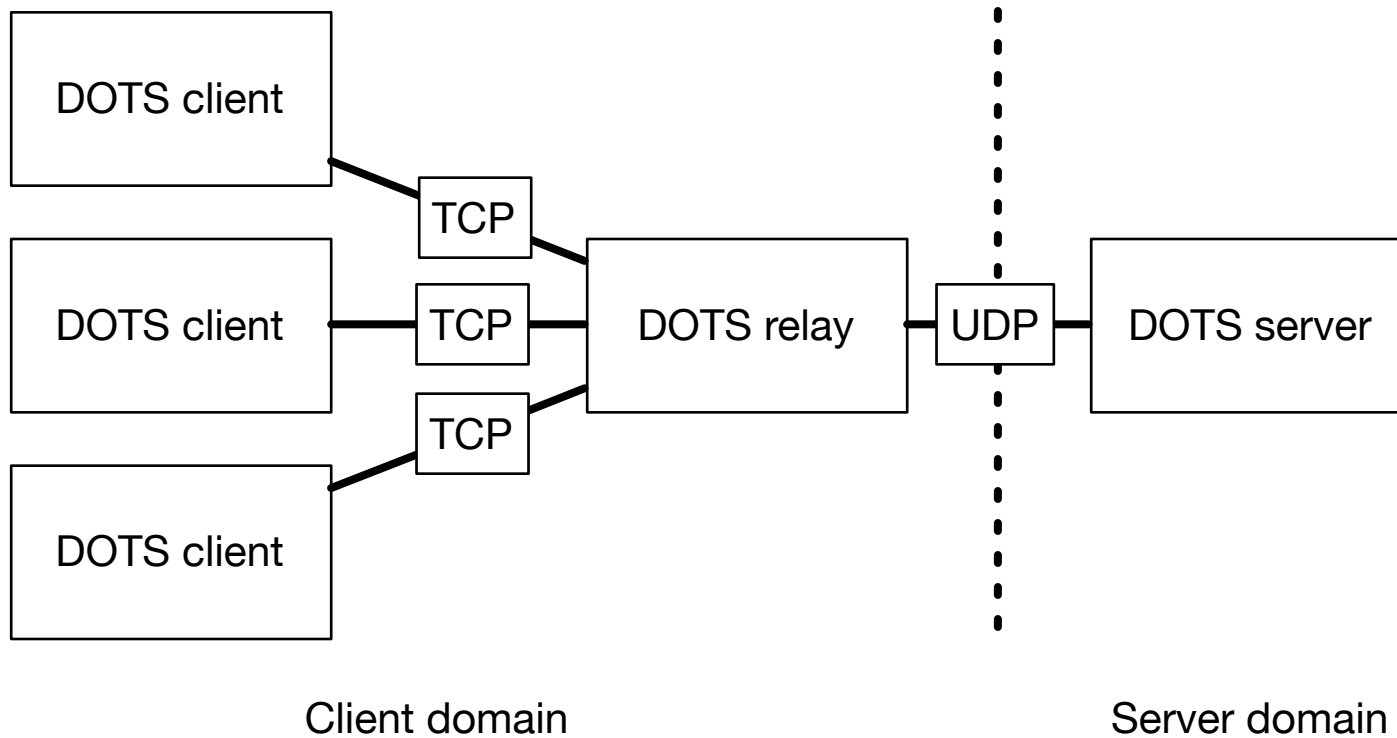
# Next Steps

- Discussion of mitigation request triggers
- Discussion of privacy concerns
- Incorporate WG feedback

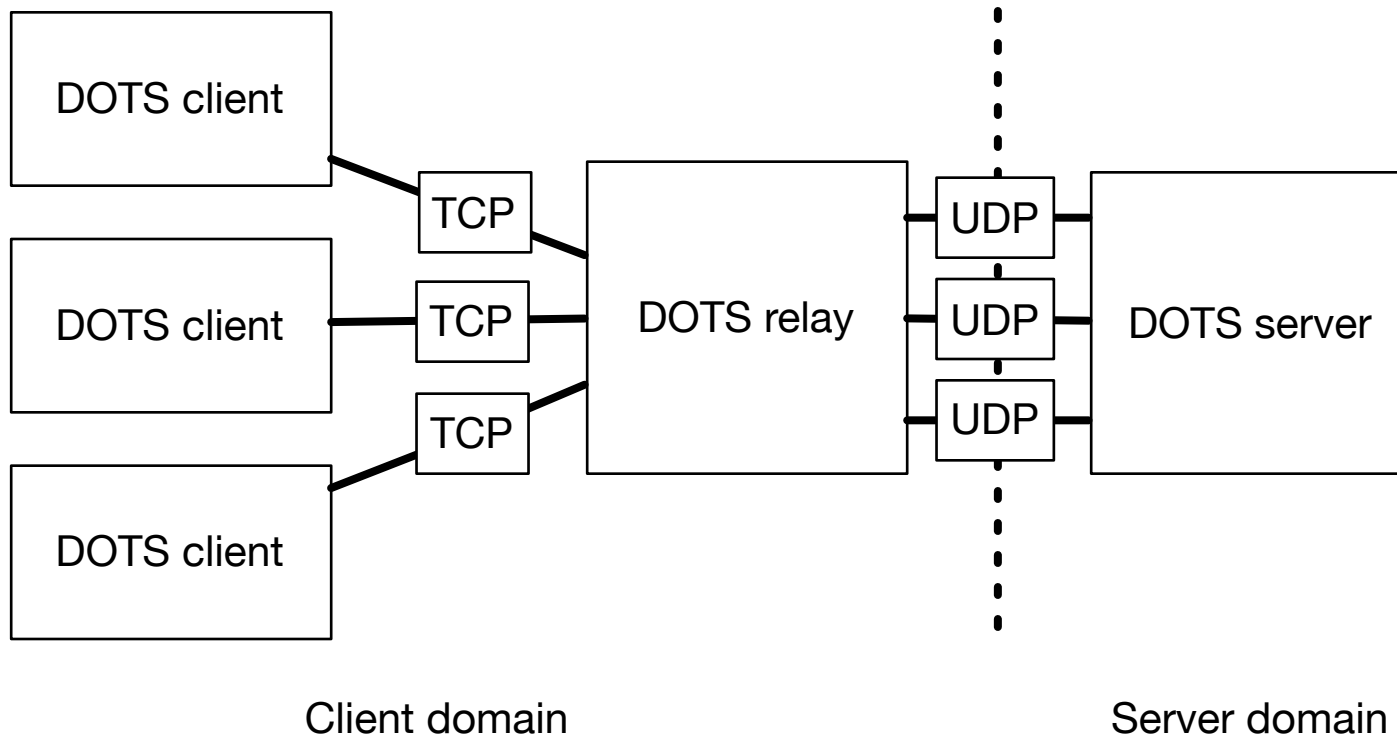
Thank you

# Appendix A: DOTS relay diagrams

# Client-side aggregating relay



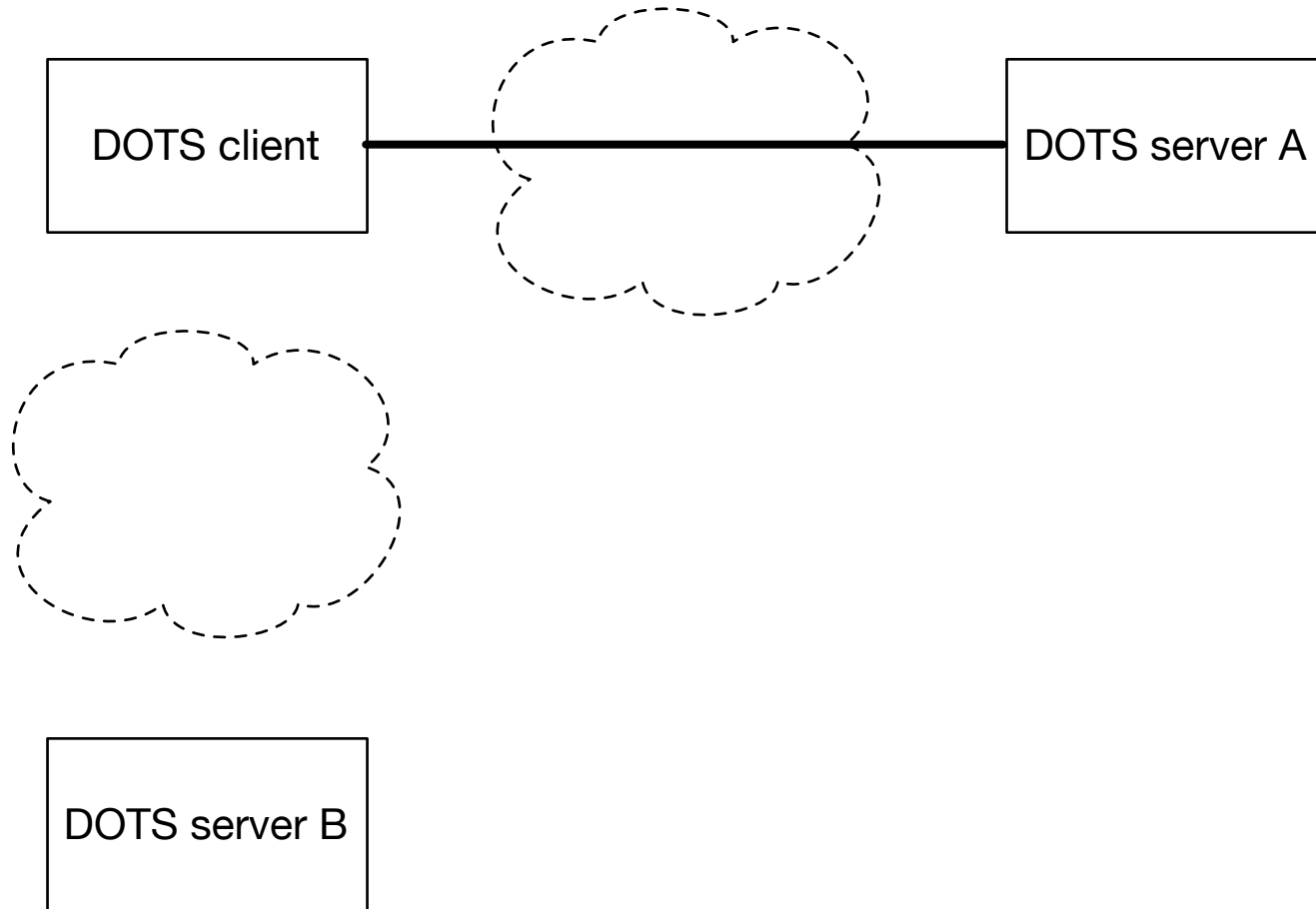
# Client-side bridging relay



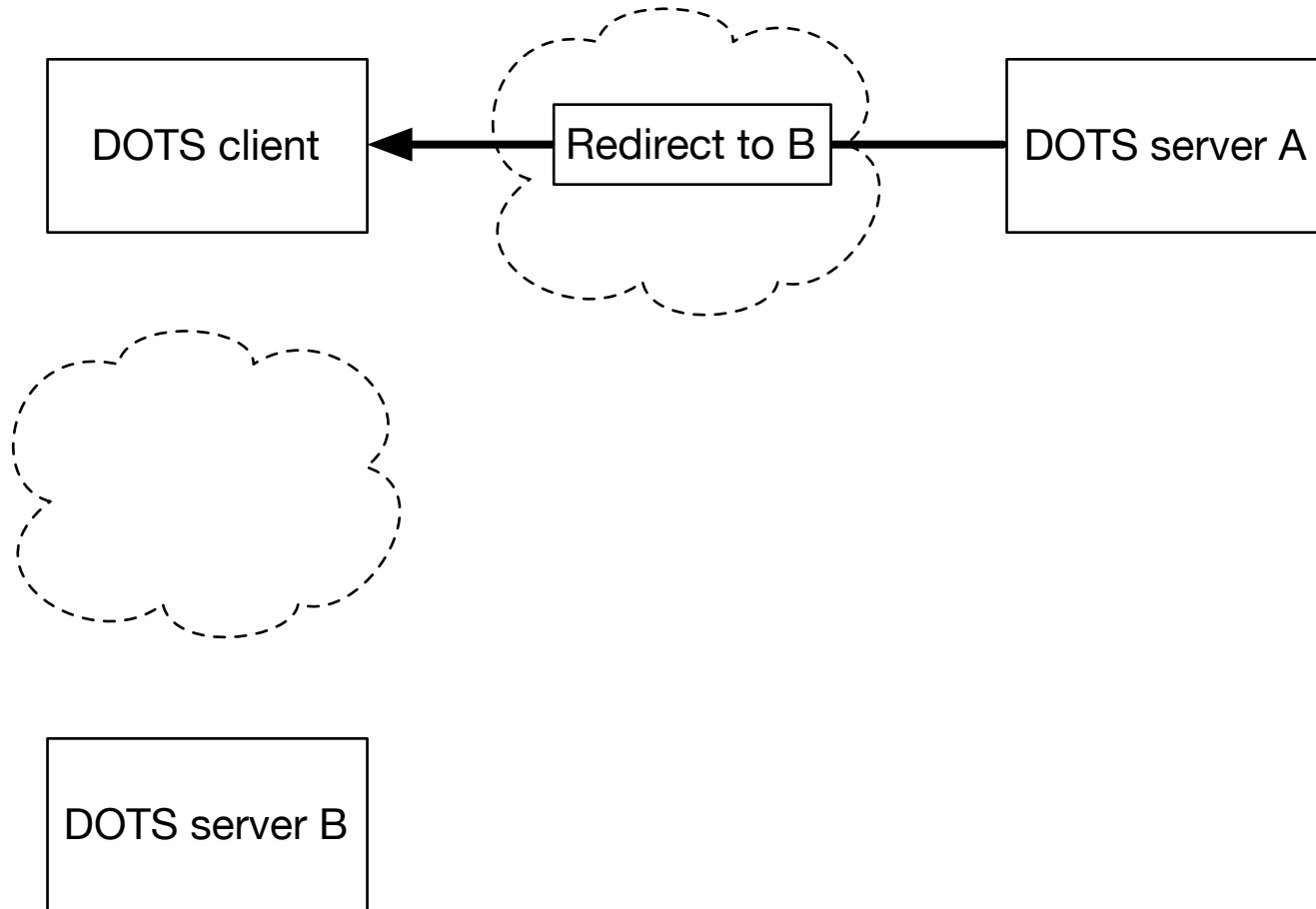
# Appendix B: Signaling mode diagrams



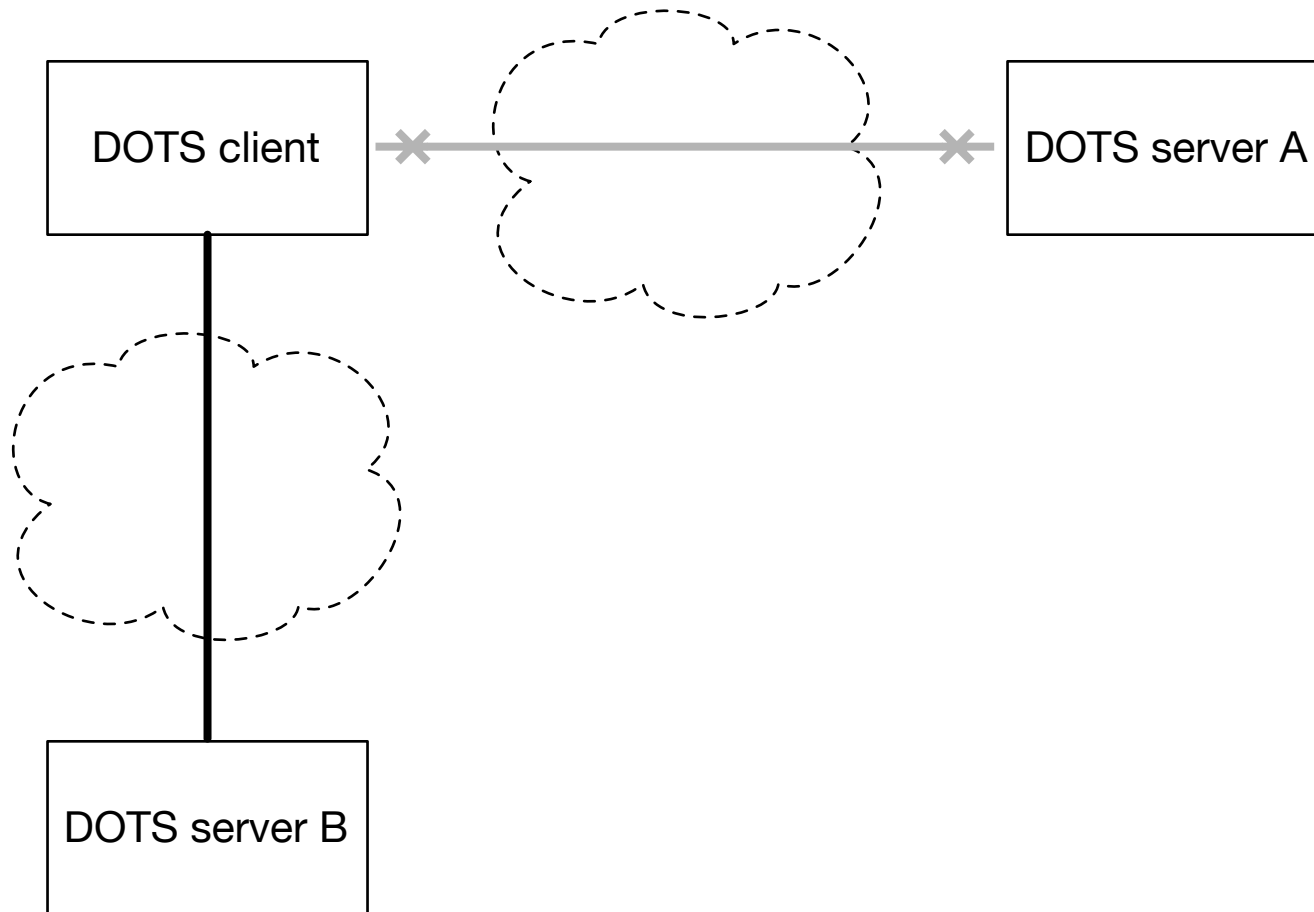
# Redirected signaling



# Redirected signaling



# Redirected signaling



# Recursive signaling

