



RESTENA

Réseau Téléinformatique de l'Education Nationale et de la Recherche

# Considerations regarding the correct use of EAP-Response/Identity

draft-ietf-radext-populating-eapidentity-01

IETF 96, Berlin, DE

Stefan Winter <[stefan.winter@restena.lu](mailto:stefan.winter@restena.lu)>

# Status update -01

- included all comments as discussed in Buenos Aires
- except ASCII art for multi-credential selection
- real art on the next slides

## Discussion Point

- Still contains text on identity selection hints
- I believe the selection problems occurs regardless of whether this (widely unimplemented) string is sent
- So would prefer not to mention, or just say it doesn't help

# Identifier Selection

## Client Device

### **EAP-AKA'** for:

- \* Cellular Networks
- \* Wi-Fi Passpoint networks advertising support for MCC/MNC

### **EAP-TTLS** for:

- \* Wi-Fi network SSID „eduroam“
- \* Wi-Fi Passpoint networks advertising Support for Roaming Consortium 00-1B-C5-04-60

Authenti-  
cator

```
graph LR;
  CD[Client Device] --> Auth[Authenticator];
  Auth -.-> S1[(EAP/RADIUS @Cellular EAP-AKA')];
  Auth -.-> S2[(EAP/RADIUS @eduroam EAP-TTLS)];
```

EAP/RADIUS  
@Cellular  
EAP-AKA'

EAP/RADIUS  
@eduroam  
EAP-TTLS

# Identifier Selection

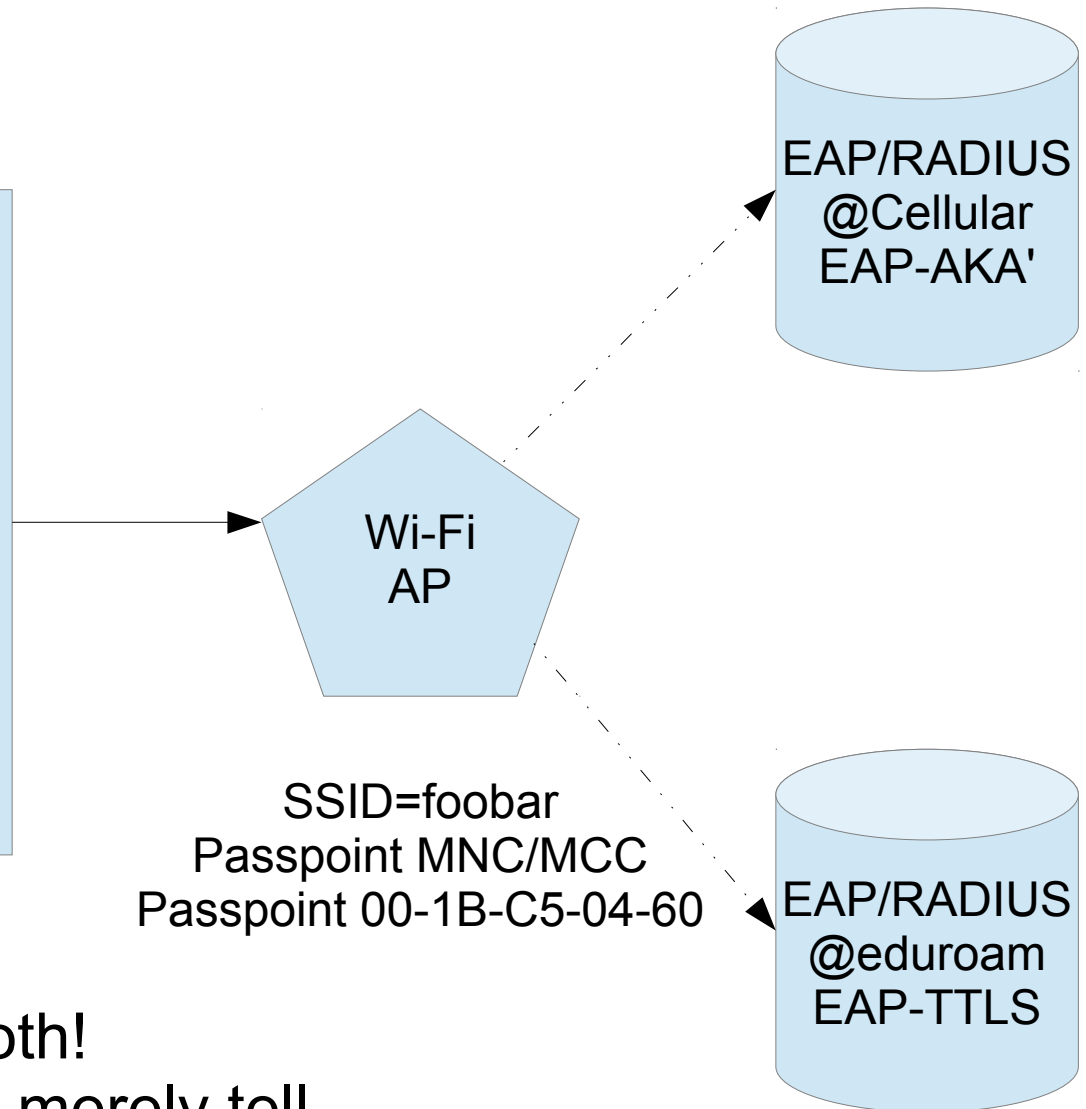
## Client Device

### EAP-AKA' for:

- \* Cellular Networks
- \* Wi-Fi Passpoint networks advertising support for MCC/MNC

### EAP-TTLS for:

- \* ~~Wi-Fi network SSID „eduroam“~~
- \* Wi-Fi Passpoint networks advertising Support for Roaming Consortium 00-1B-C5-04-60



Client configuration allows both!  
Identity selection hints would merely tell  
user that he can indeed use both!

# Next Steps

- 1) Converge on open issue
- 2) New rev with ASCII art
- 3) Time for WGLC?