

Registration Interface Information Model (draft-hyun-i2nsf-registration-interface-im-00)



IETF 97, Seoul

Nov. 14, 2016

Contents

I Introduction

II Motivation

III Dynamic Life Cycle Management

IV Registration of a New NSF Instance

V Dynamic Instantiation for Load Balancing

VI Next Steps



Introduction

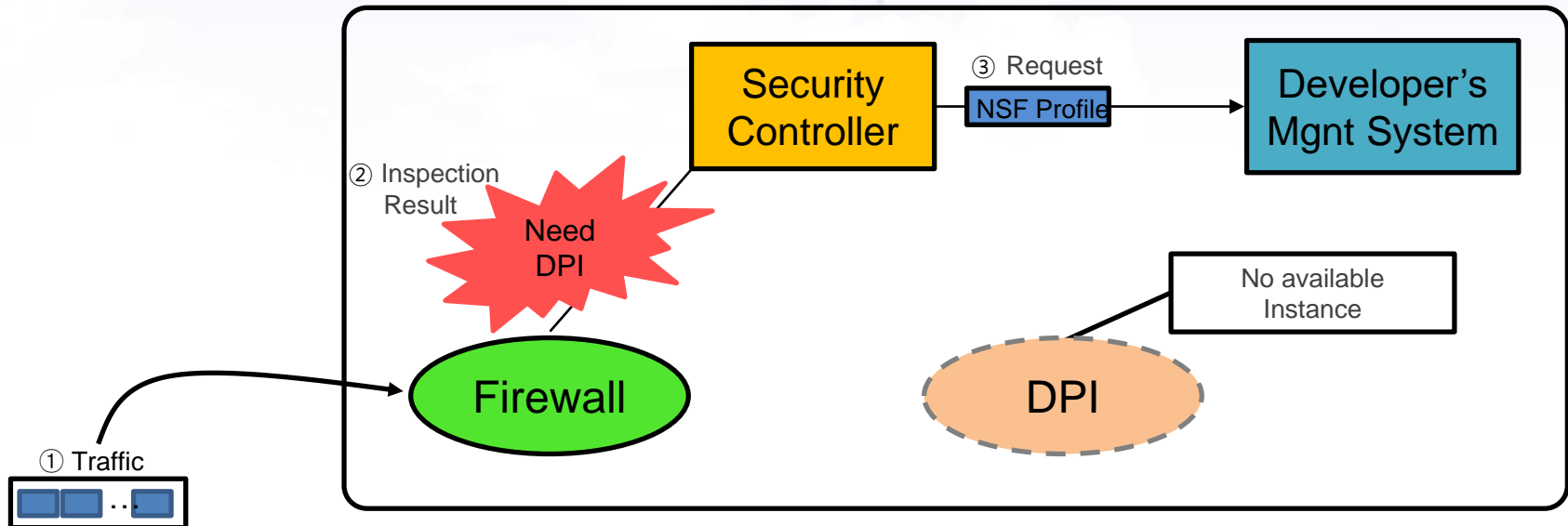
- The I2NSF registration interface is used to register NSF instances created by Developer's Management System (DMS) to Security Controller.
- This document aims to provide a base information model of I2NSF registration interface for dynamic NSF instantiation/destruction and registration.

Motivation

- Information model for Registration Interface is required for the following purposes:
 - Efficient network resource utilization through dynamic instantiation of NSFs and load balancing
 - Serving an NSF's request for advanced inspection via another NSF
 - Registering NSF instances by Developer's Management System (DMS)

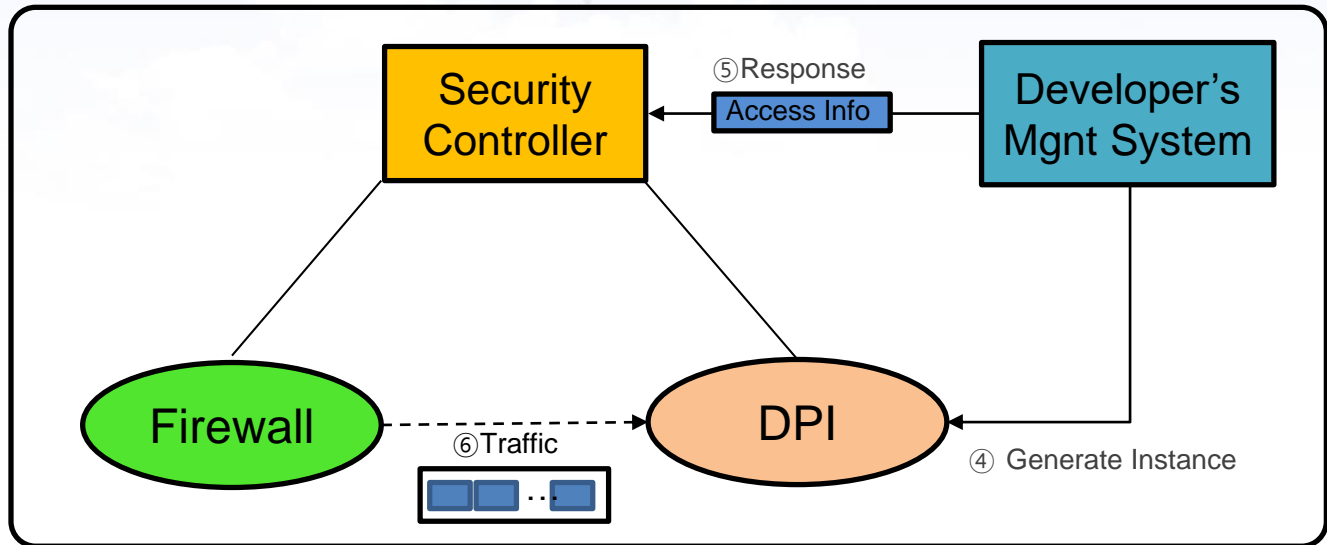
Dynamic Life Cycle Management

- When an NSF triggers an **advanced inspection** of the suspicious traffic via another type of NSF currently **unavailable in the system**.
- When an NSF instance is currently under **congestion**.
- When an NSF instance is in **idle**.

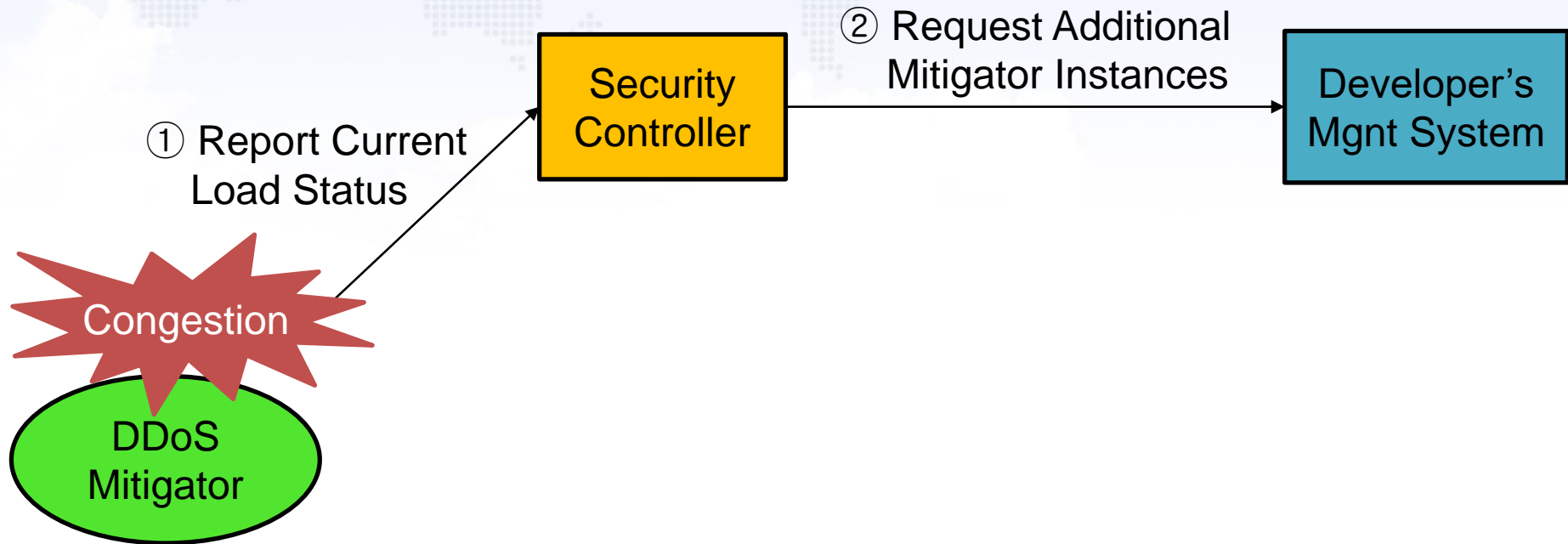


Registration of a New NSF Instance

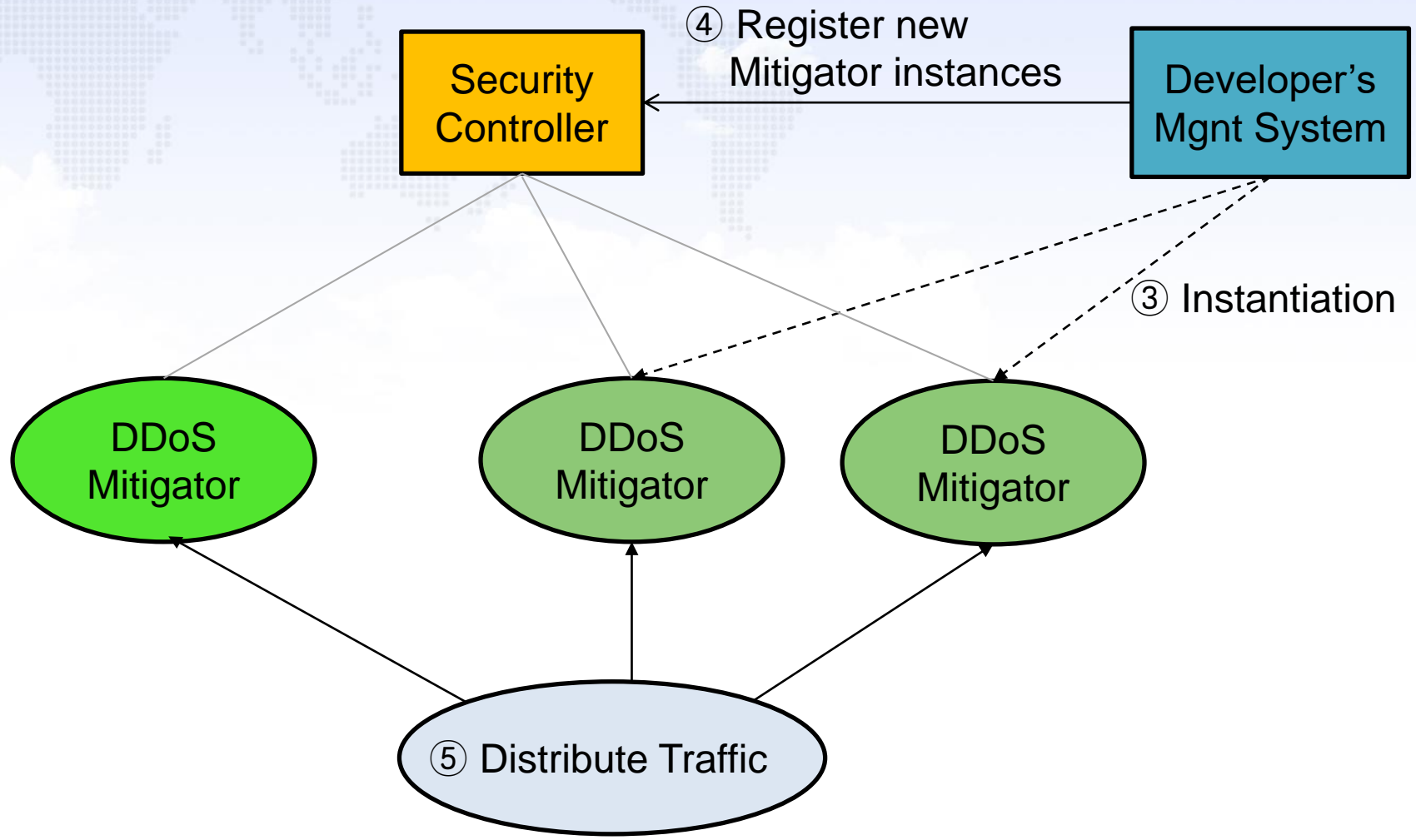
- DMS creates and registers a new NSF instance to Security Controller via Registration Interface.



Dynamic Instantiation for Load Balancing (1/2)



Dynamic Instantiation for Load Balancing (2/2)



Next Steps

- We will design **YANG Data Model** for I2NSF Registration Interface.
- We will implement dynamic life cycle management of NSF instance(s) via I2NSF Registration Interface
 - using our IETF-97 I2NSF Hackathon Code.



Thank you!

Any questions or comments?