

TRILL Yang Drafts

Sue Hares

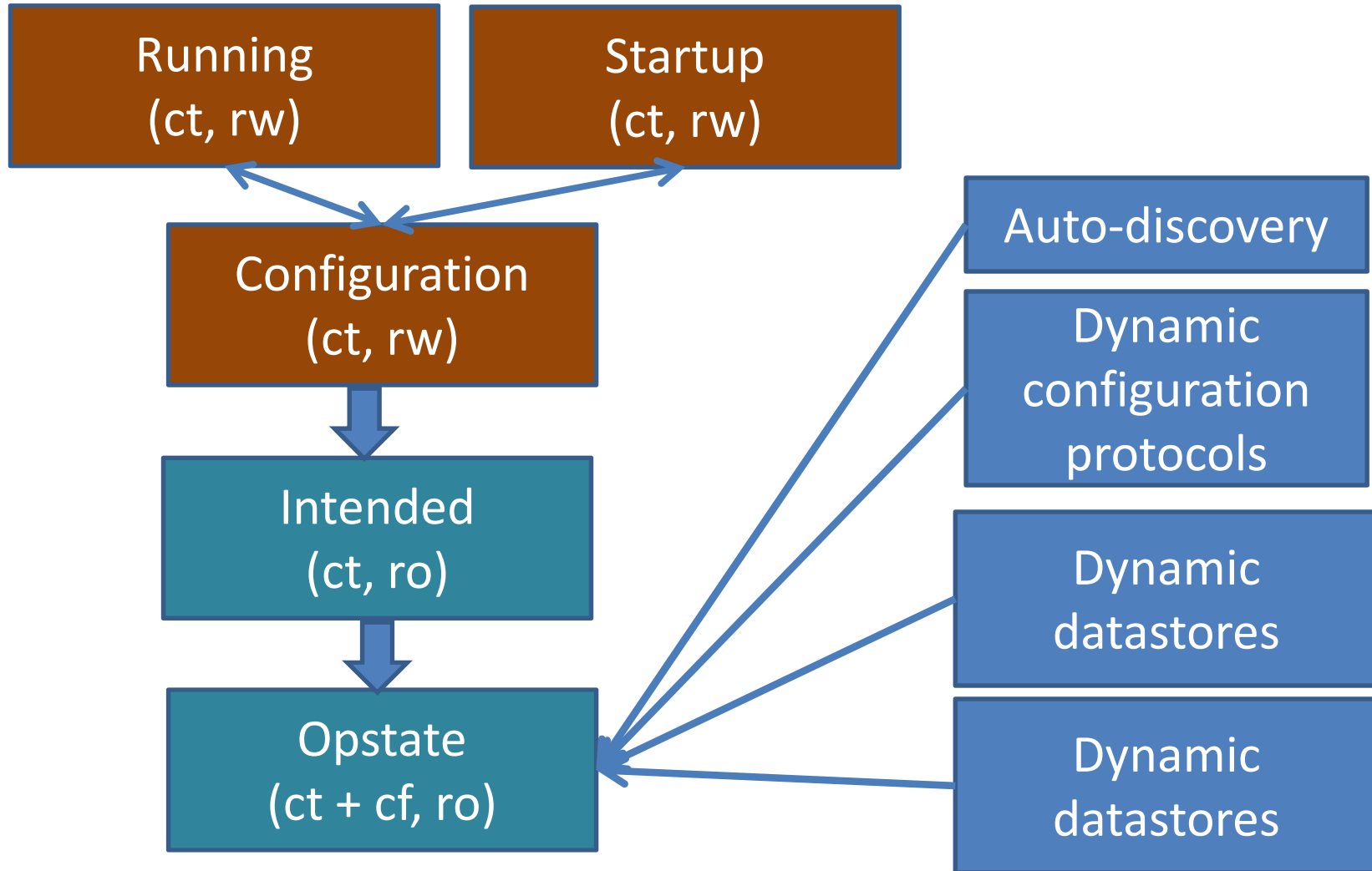
Yang

- WG LC all Yang modules
 - draft-ietf-trill-yang-04.txt
 - draft-ietf-trill-yang-pm-02.txt
 - draft-ietf-trill-yang-oam-04.txt
- Yang data modules – changing modules
- LIME - finishing work
- Next Steps

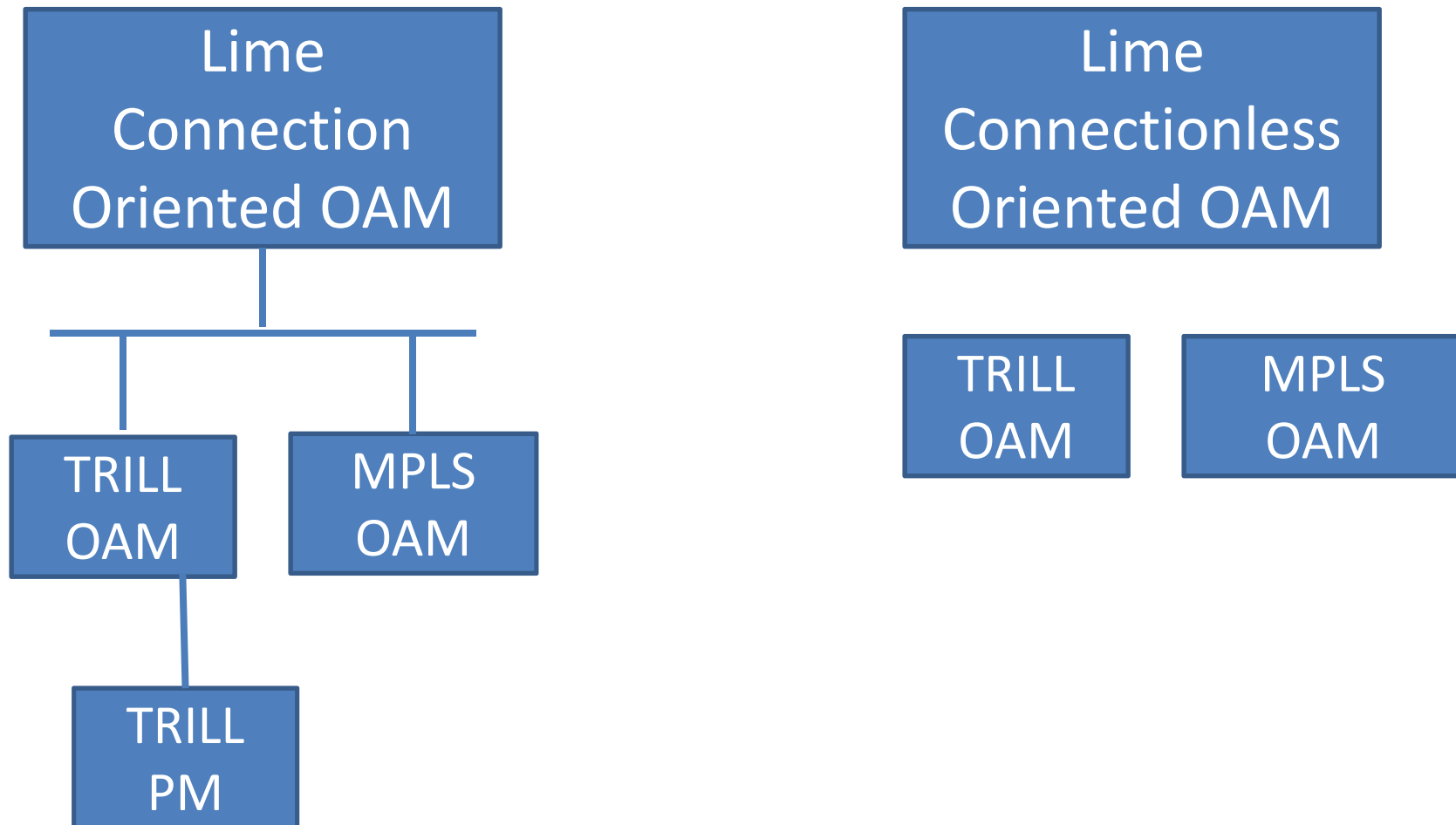
Proposal

- 3 options
 1. WG LC all 3 yang modules and send to IESG
 2. Change TRILL drafts to be LIME capable
 3. Do both
- WG Chair's suggestion
 - Do #1
 - If interest #3

Revised Datastores



LIME Structure



Next Steps

- **Anyone interested in revising modules for LIME needs to contact chair immediately**
 - **Without a model at next IETF this work will not be picked up by TRILL WG**