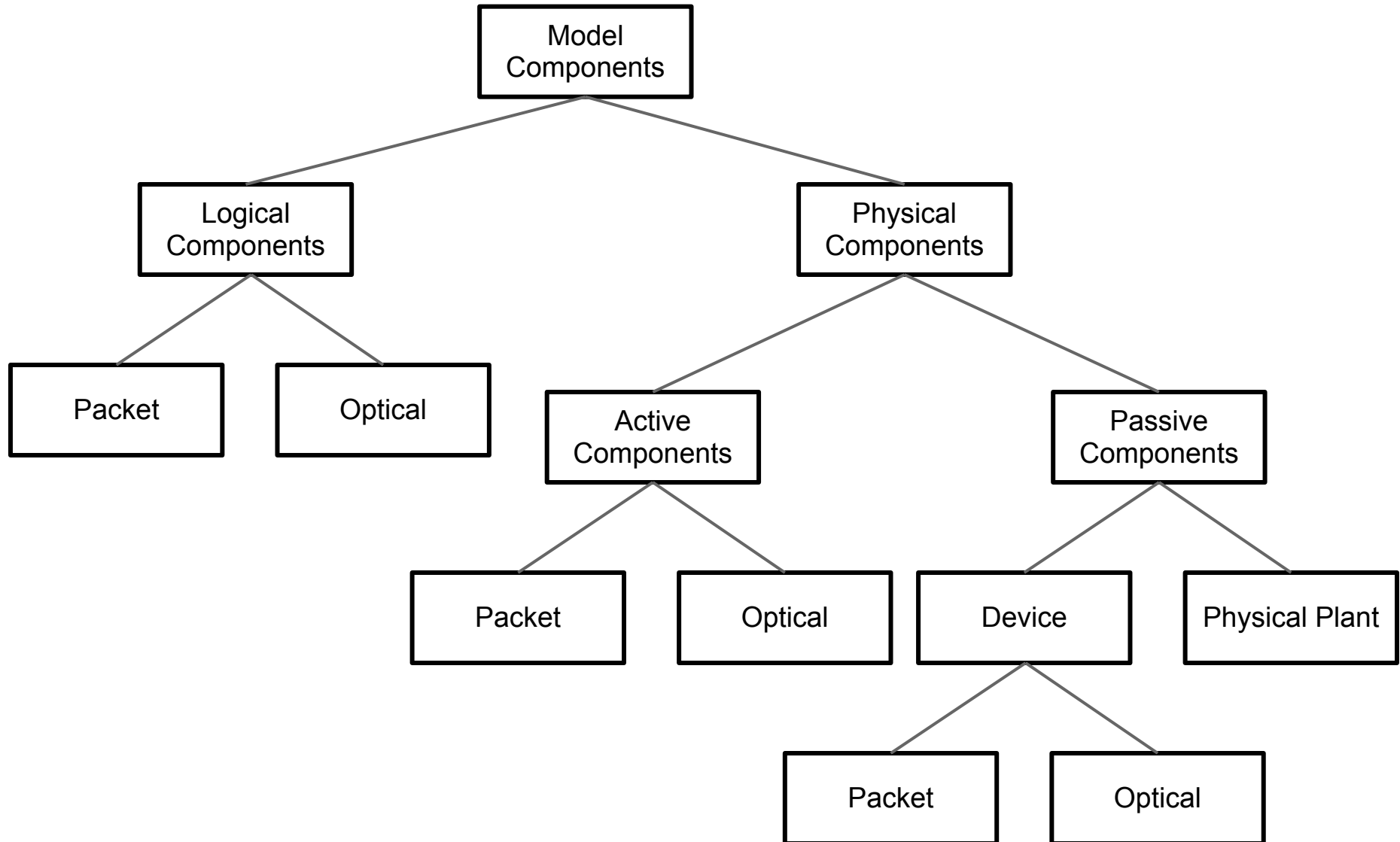


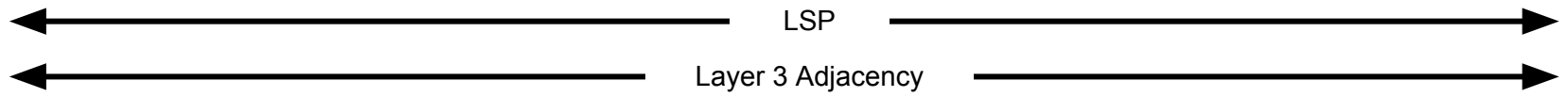
Network Modelling Discussion

Down the Rabbit ole

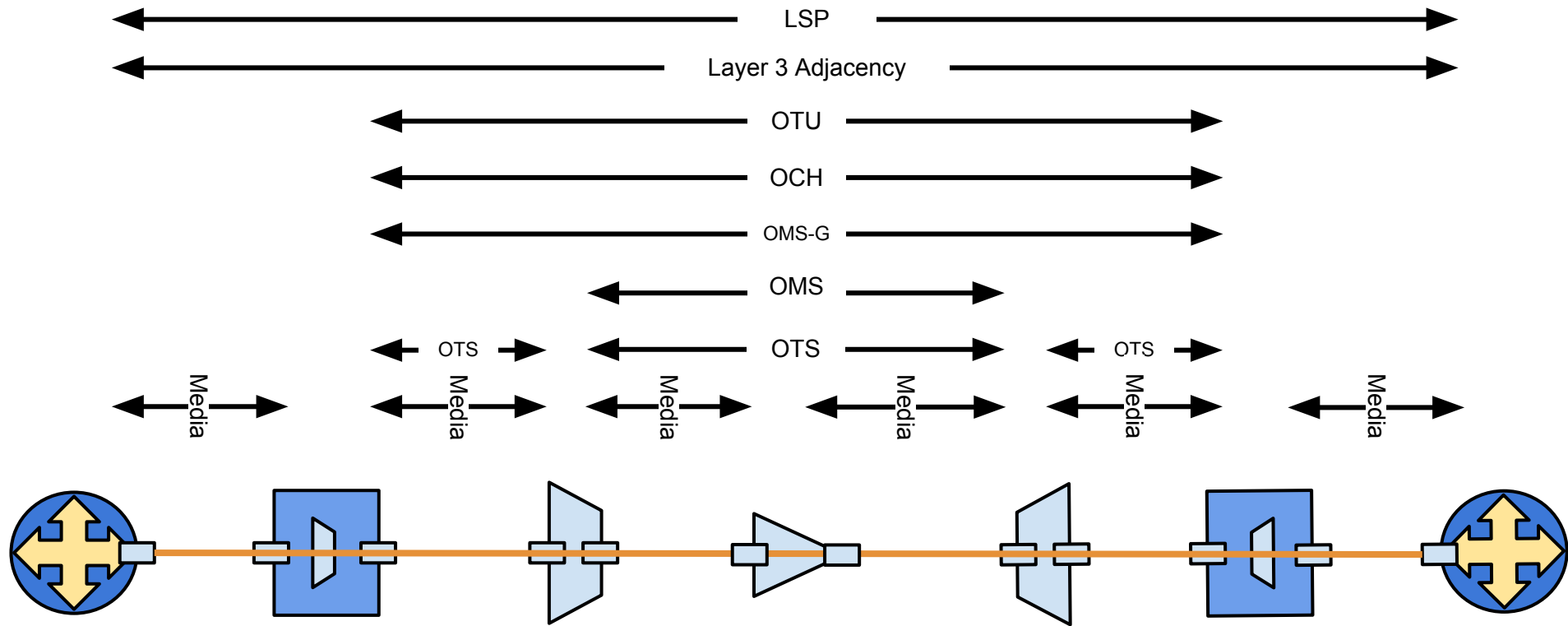
How Far Down The Rabbit Hole Do We go?



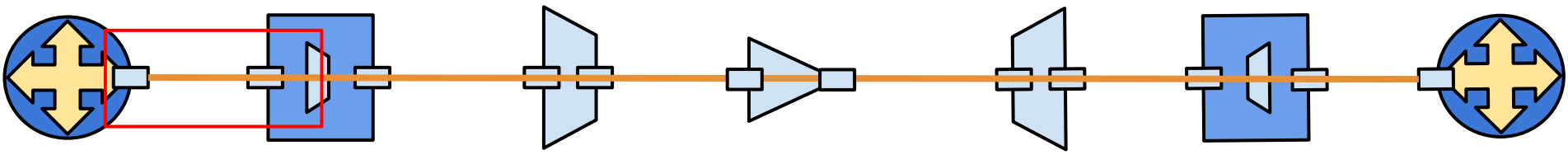
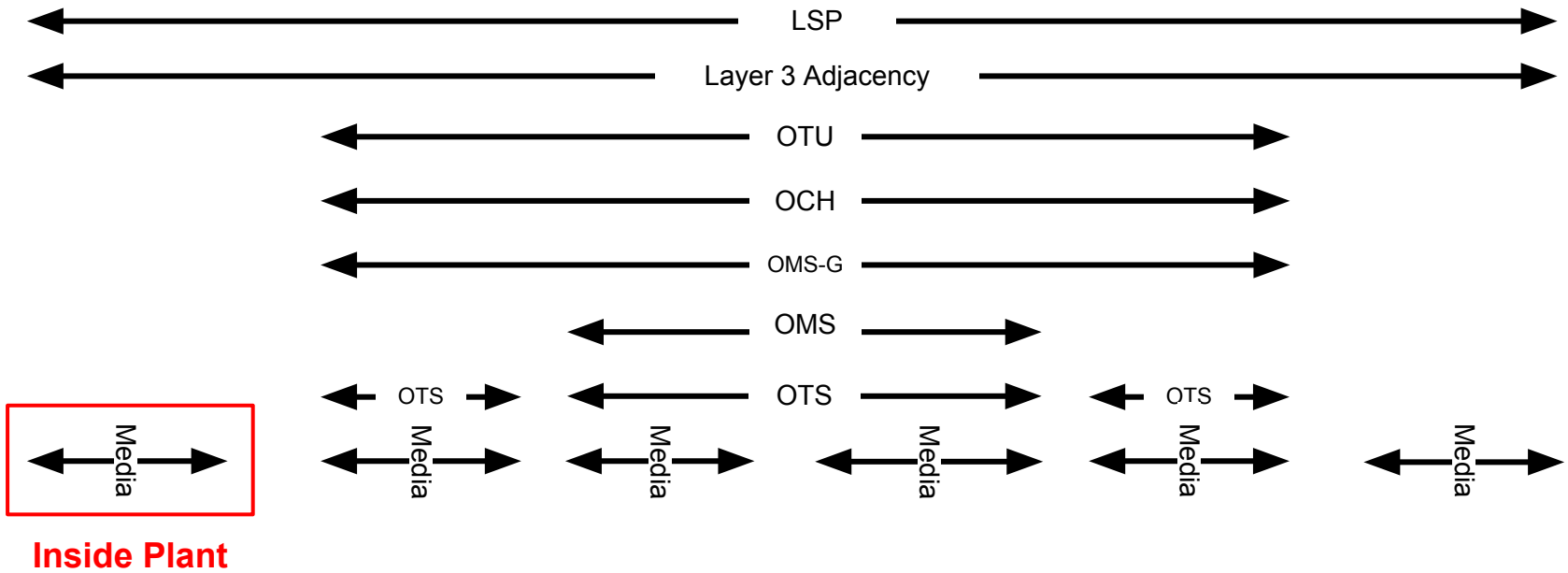
A Simple Modeling Example



A Simple Optical Modeling Example



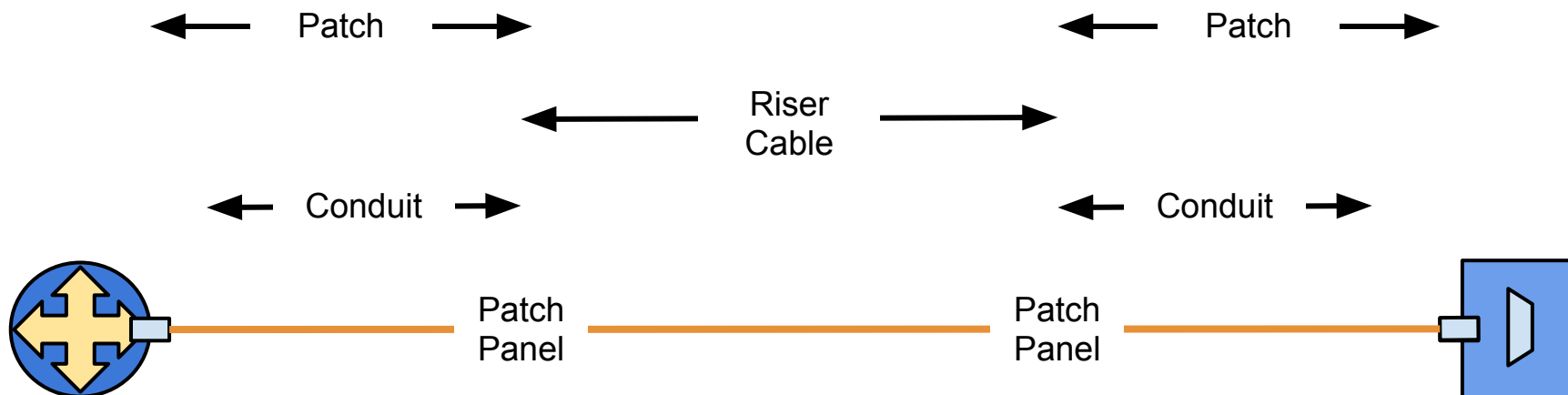
Physical Plant?



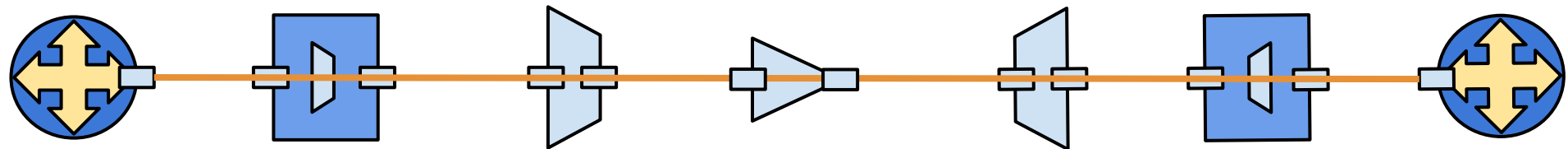
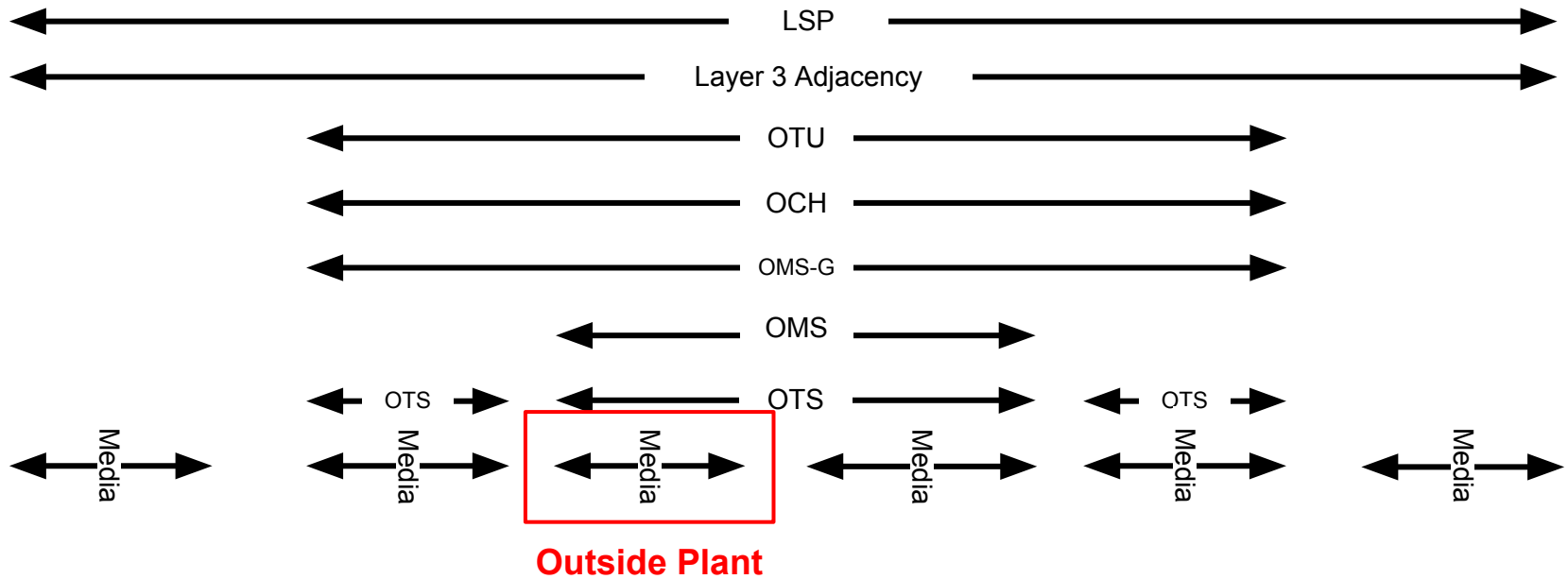
VERY Simple Inside Plant example

All Data must be manually collected

- Geometries?
- Port Metadata
- Media Metadata
 - type
 - color
 - ID



A Simple Optical Modeling Example



Discussion