

I2RS March 5 Interim Design Team introduction

Susan Hares

I2RS co-chair

I2RS topics

- “ I2RS Work Areas
- “ I2RS Protocol independent topology drafts
- “ I2RS RIB
- “ I2RS PBR
- “ I2RS Charter

I2RS Work

- “ I2RS problem and architecture drafts
 - [draft-ietf-i2rs-architecture-08](#)
 - [draft-ietf-i2rs-problem-statement-06](#)
- “ Use Case documents
 - [draft-ietf-i2rs-usecase-reqs-summary-00](#)
- “ I2RS protocol requirements
 - [draft-ietf-i2rs-pub-sub-requirements-00](#)
 - [draft-ietf-i2rs-traceability-02](#)
 - [draft-haas-i2rs-netmod-netconf-requirements-00](#) (pending updated)
- “ I2RS Protocol independent work
 - Forwarding RIB (RIB and PBR)
 - Topology

Protocol Independent Data Models

(presented first at I2RS and TEAS
interims in December, 2014)

Protocol Independent (P.I.) Topologies

Abstract topology

L1
topology

L2-
topology

L3
topology

TE
Topology

Service
topology

PBR
Topology*1

I2RS P.I. Abstract topology

- " [draft-clemm-i2rs-yang-network-topo-03](#)
- " [Draft-dong-i2rs-inventory-00.txt](#)

I2RS P.I. Topology Drafts

- " [draft-zhang-i2rs-l1-topo-yang-model-00](#)
- " [draft-dong-i2rs-l2-network-topology-00](#)
- " [draft-clemm-i2rs-yang-l3-topo-00](#)
- " [draft-wang-i2rs-service-topo-dm-00](#)

Other P.I. Work

- " TEAS TE topology draft
- " L3SM L3VPN draft *2

First Pass:

- 3/5/2015: Initial drafts
- 3/9/2015: Call for adoption of drafts

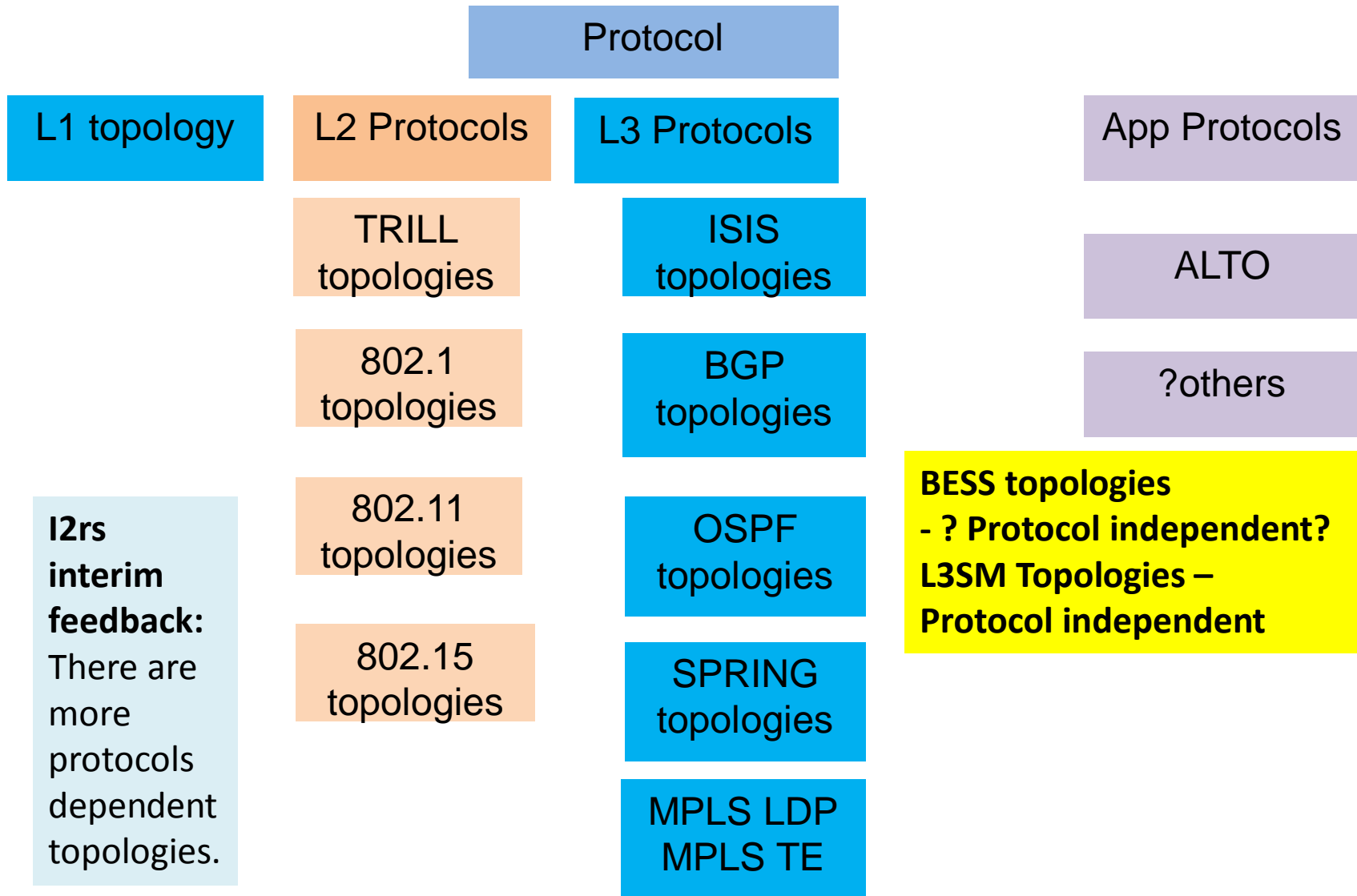
2nd pass (? April to July)

- " TE drafts Topology drafts will be written to align TEAS to work
- " **Service topology drafts** with VPN topologies

*1 May not be needed

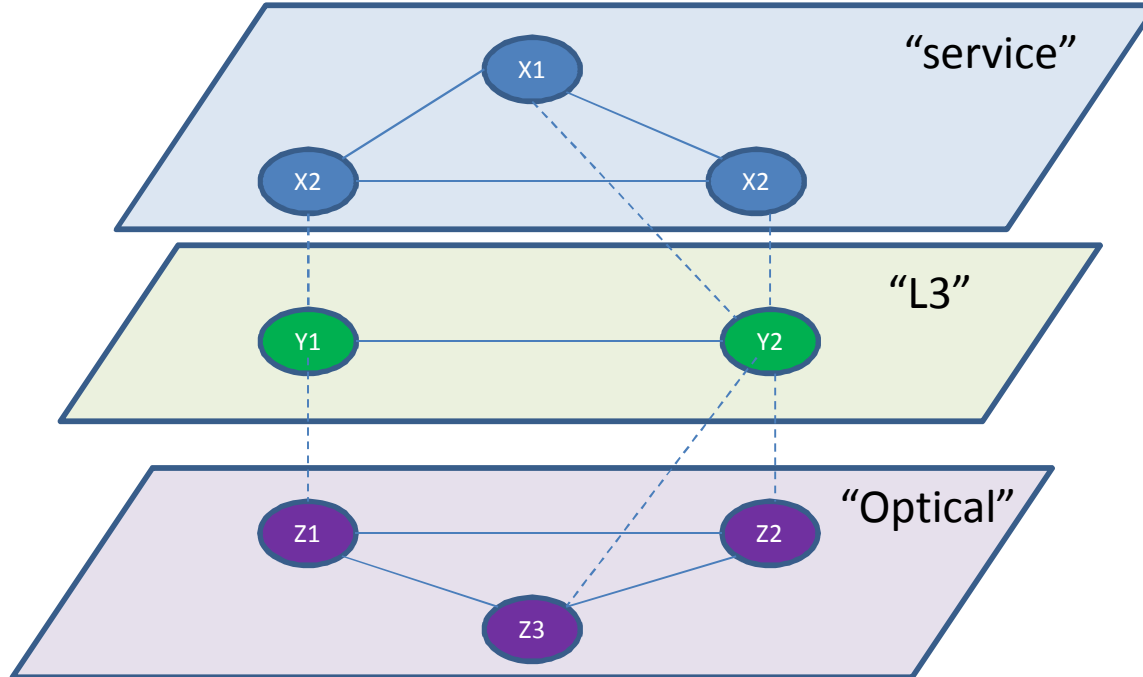
*2 SUPA status (P.I. or P.T) unknown

Protocol Dependent Topologies (PDT)



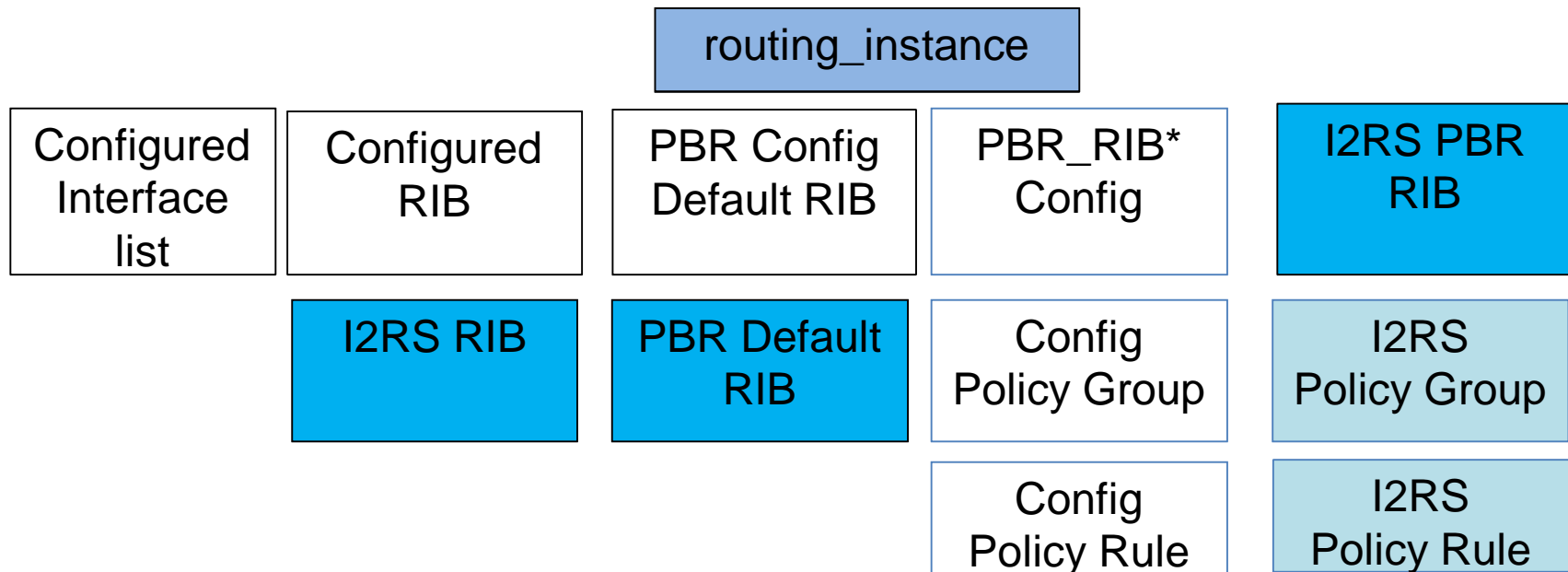
Clemm

Horizontal and vertical layering

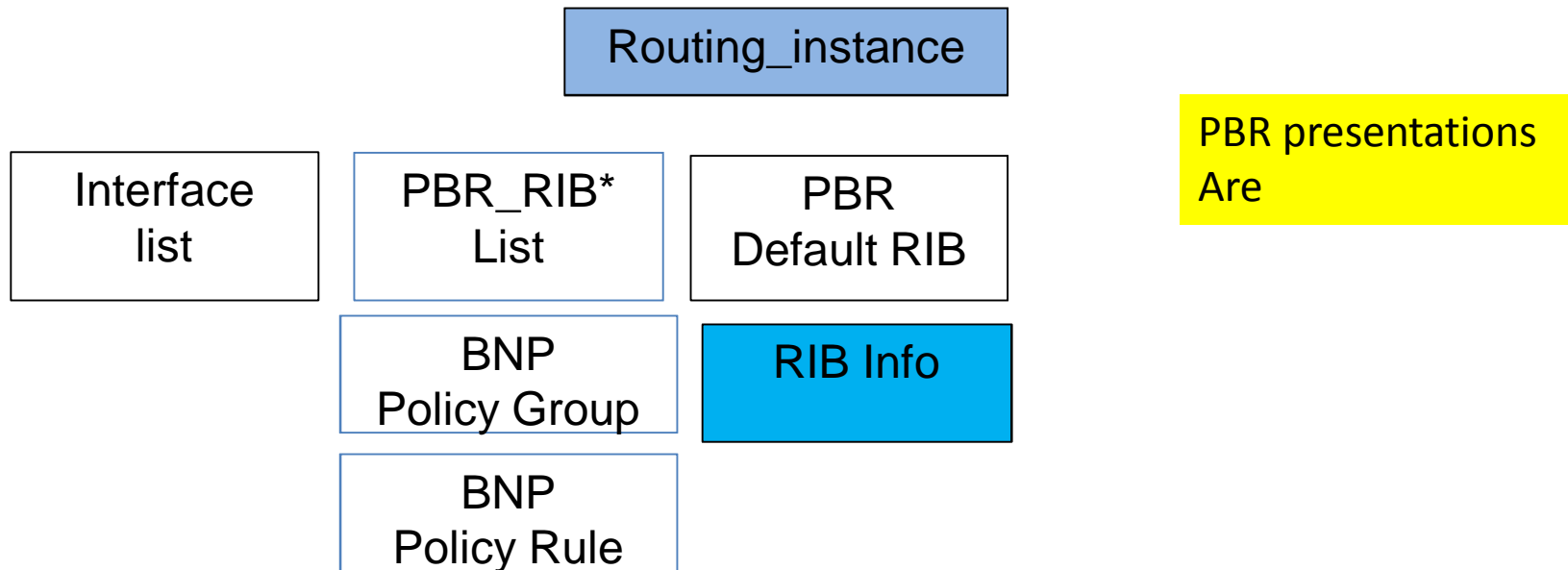


I2RS P.I. Forwarding RIBs

- “ I2RS L3 RIB
 - . draft-ietf-i2rs-rib-info-model-06 (3/9/2015 release)
 - . Draft-wang-i2rs-rib-data-model-01 (3/9/2015 release)
- “ Question: Should we have L1/L2/L3/Service P.I. forwarding RIBs?
 - . Service Forwarding needs the same forwarding RIB



PBR as a Protocol Independent Topology



I2RS PBR Models

- “ [draft-hareskini-i2rs-L3-pbr-info-model-00](#) (-01 pending)
- “ draft-xx-i2rs-pbr-generic-dm-00 (-00 pending)
- “ draft-kini-i2rs-L3-pbr-yang-dm-00 (-00 pending)
- “ draft-dunbar-i2rs-sff-pbr-dm-00 (-00 pending)

Policy drafts (next releases will harmonize with)

- “ [draft-ietf-netmod-acl-model-01](#)
- “ [draft-shaikh-rtgwg-policy-model-00](#)
- “ [draft-yan-rtgwg-routing-policy-yang-00](#)
- “ [draft-hares-i2rs-bnp-info-model-01](#)

Q & A

Protocol Dependent IM/DM

“ I2RS proposals for Info Models:

[draft-wu-i2rs-isis-info-model-00](#) [i2rs/isis WG]

[draft-wu-i2rs-ospf-info-model-00](#) [i2rs/ospf WG]

[draft-hares-i2rs-bgp-im-02](#) [i2rs/bgp WG]

“ Data models in I2RS

[draft-wang-i2rs-isis-dm-00](#) [i2rs/isis WG]

[draft-wang-i2rs-ospf-dm-00](#) [i2rs/ospf WG]

[draft-wang-i2rs-bgp-dm-00](#) [i2rs/IDR WG]

“ Data models in Routing WGs

[draft-ietf-isis-yang-isis-cfg-01](#) [ISIS WG]

[draft-yeung-netmod-ospf-02](#) [OSPF proposed adoption]

[draft-zhdankin-netmod-bgp-cfg-01](#) [presented in IDR]

[draft-shaikh-idr-bgp-model-00](#) [Provider's OpenConfig]

“ AFI/SAFI RIBS + multi-topology implies that protocol specific topologies are in routing protocols