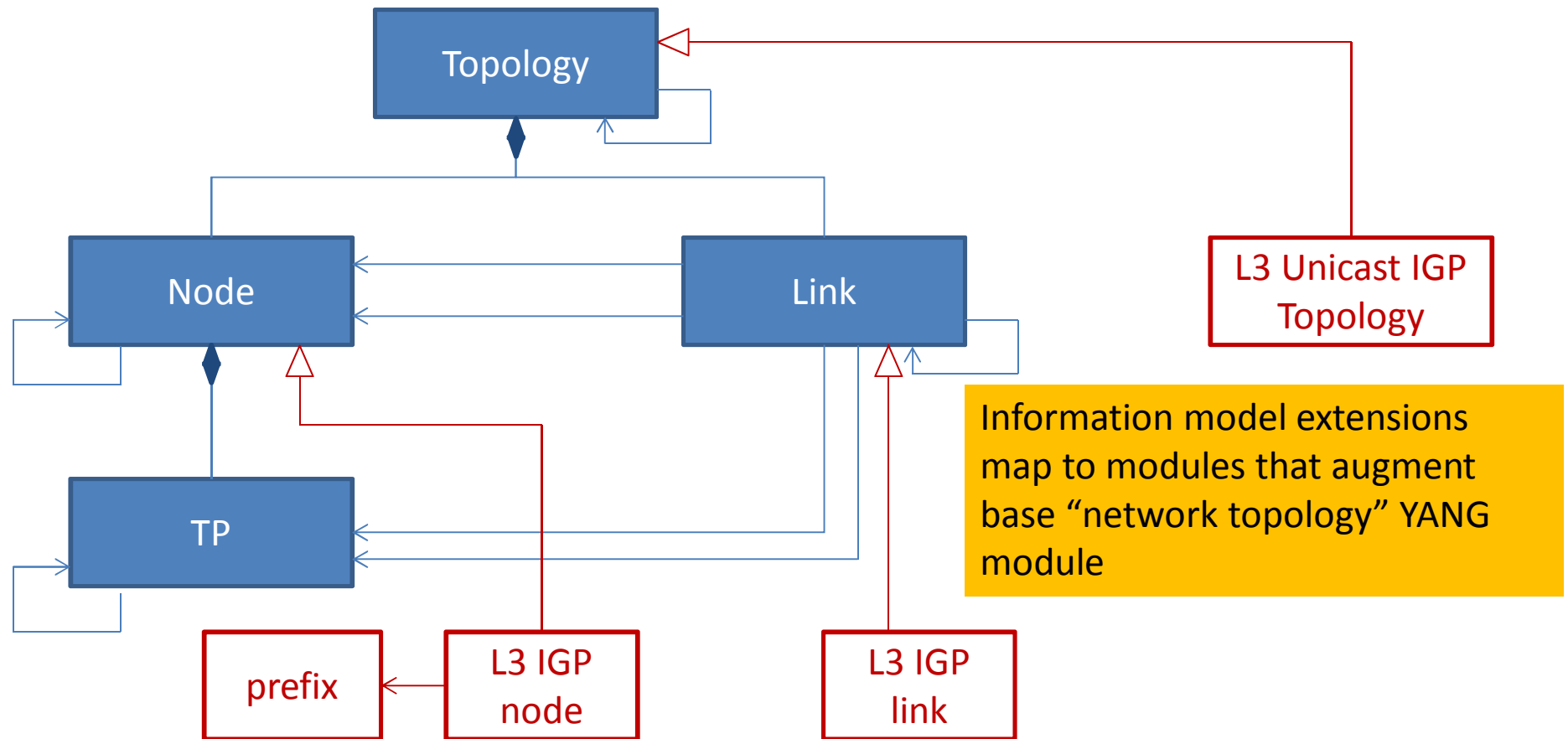


Network Topology Models

draft-clemm-i2rs-yang-l3-topo

Alexander Clemm (Cisco), Jan Medved (Cisco),
Robert Varga (Patheon), Tony Tkacik (Patheon),
Xufeng Liu (Ericcson), Igor Bryskin (Adva Optical),
Aihua Guo (Adva Optial), Hari Ananthakrishnan (Packet Design),
Nitin Bahadur (Bracket Computing),
Vishnu Beeram (Juniper)

Recap: Data model structure (contd.)



- “ Derive Layer 3 Unicast IGP topology object classes
- “ Integrity rules ensure links, nodes, topology of matching type

module: **l3-unicast-igp-topology**

augment /nt:network-topology/nt:topology/nt:topology-types:

+--rw l3-unicast-igp-topology!

augment /nt:network-topology/nt:topology:

+--rw igp-topology-attributes

+--rw name? string

+--rw flag* flag-type

augment /nt:network-topology/nt:topology/nt:node:

+--rw igp-node-attributes

+--rw name? inet:domain-name

+--rw flag* flag-type

+--rw router-id* inet:ip-address

+--rw prefix* [prefix]

+--rw prefix inet:ip-prefix

+--rw metric? uint32

+--rw flag* flag-type

augment /nt:network-topology/nt:topology/nt:link:

+--rw igp-link-attributes

+--rw name? string

+--rw flag* flag-type

+--rw metric? uint32

augment /nt:network-topology/nt:topology/nt:node/nt:termination-point:

+--rw igp-termination-point-attributes

+--rw (termination-point-type)?

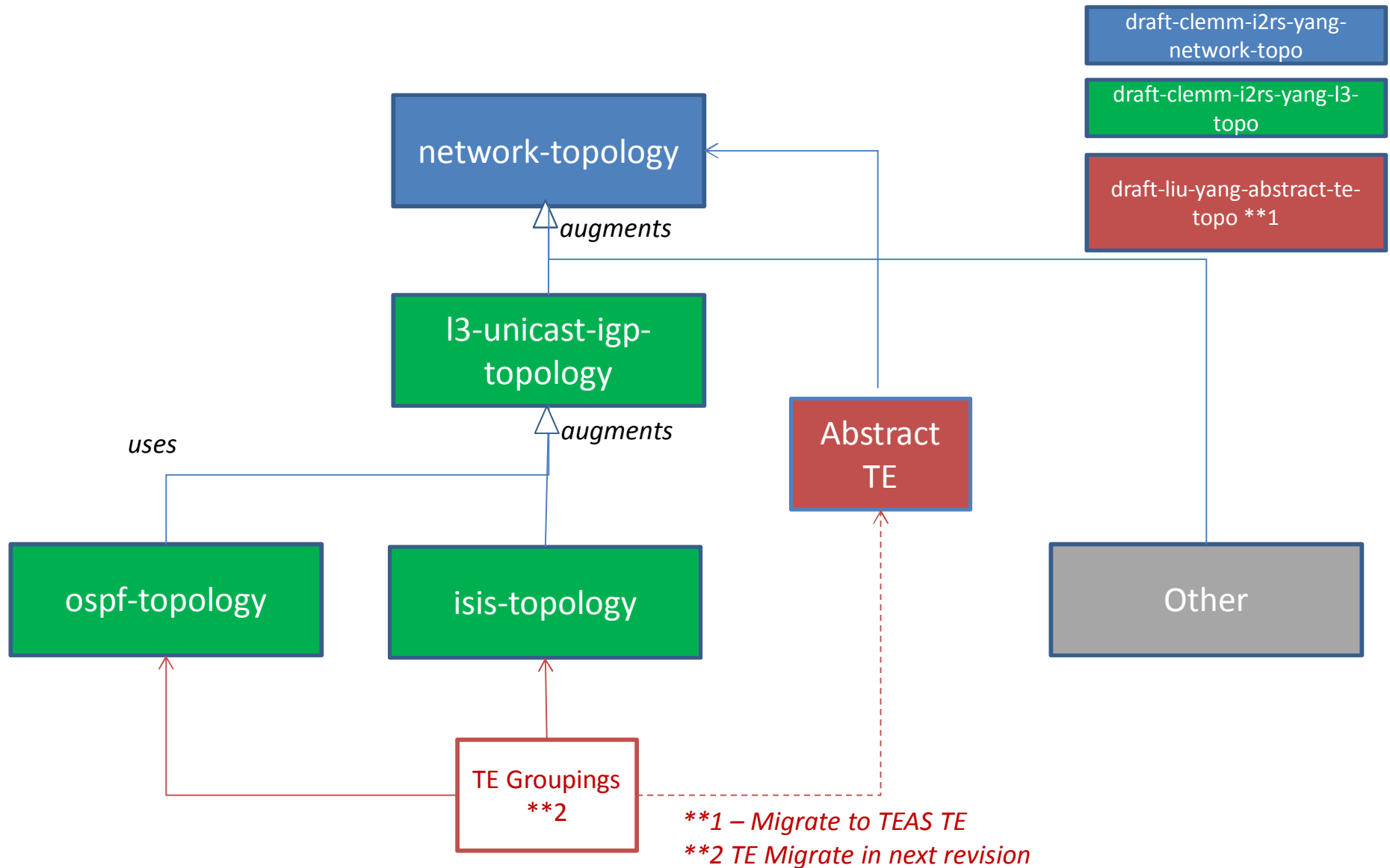
+--:(ip)

| +--rw ip-address* inet:ip-address

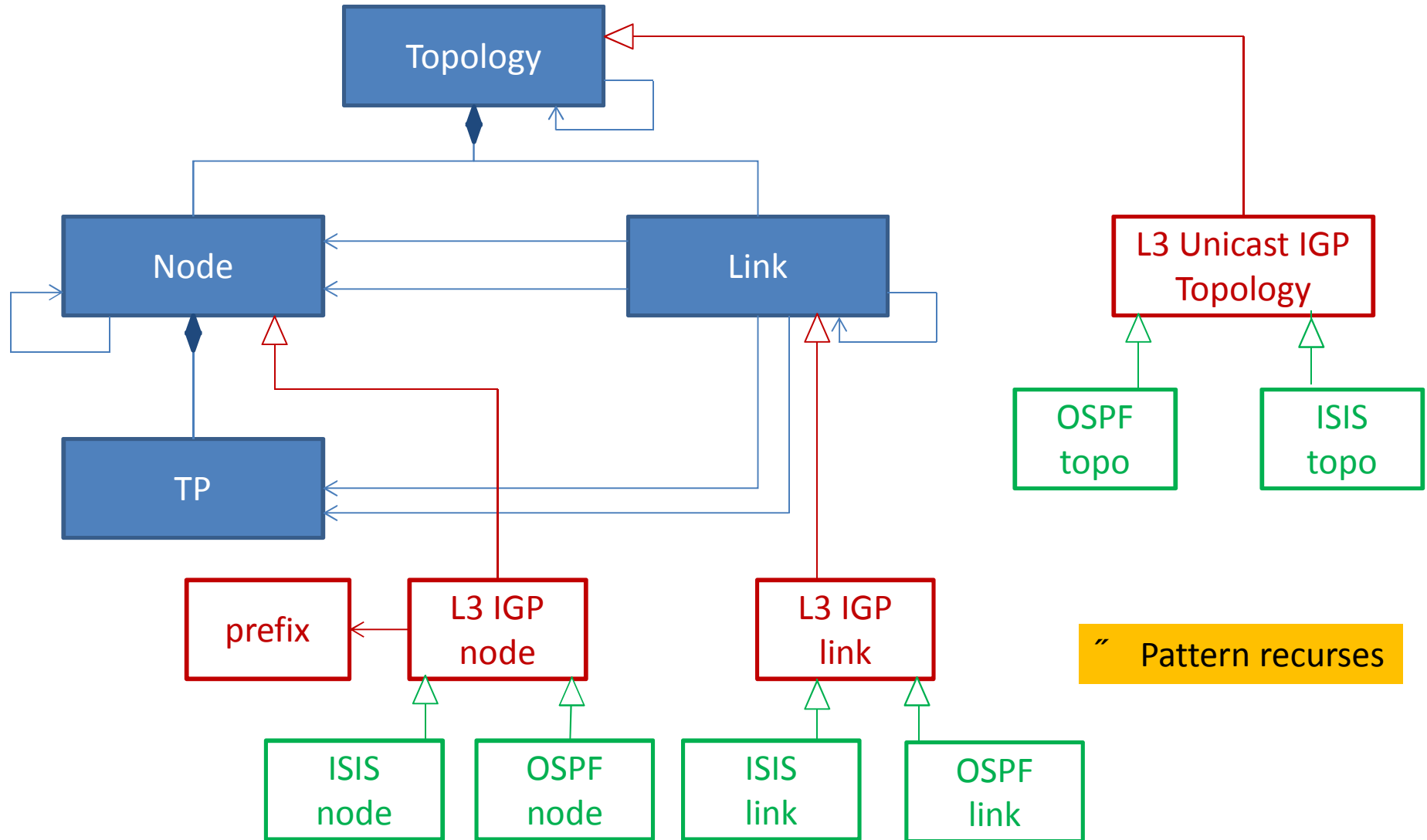
+--:(unnumbered)

+--rw unnumbered-id? uint32

TE Data Architecture



Links to Protocol Dependent L3 structures



Discussion

- “ Uses Generic Topology
- “ Read-only vs read-write topology
 - . Server-provided flag as opposed to “read-only” vs “configured” state”
- “ Model has considerable traction, multi-vendor support
- “ Implementations exist
- “ **Ask:** Adopt as WG document